



U-LINE
CORPORATION

**Full Overlay Door Panel
Installation Instructions
for
Models 2075 DWR
and C02075DWR**

U-Line Corporation
P.O. Box 245040 • Milwaukee, WI 53224-9540
Phone 414.354.0300 • FAX 414.354.7905
www.U-LineService.com

OVERLAY PANEL KIT PARTS

Part Number	Description	Quantity
42120	Spacer Nylon 3/8 OD x .19 ID	5
42121	Screw #10 x 5/8 Round Head	5

Full overlay drawer panels completely cover the drawer frames and handle to give a built-in appearance.

Table 1. Full Overlay Panel Dimensions

Panel Dimensions 23-3/4" wide X 14-3/4" high.

See Figure 1 for screw locations to mount panel to door.

IMPORTANT

- The total weight of both drawer panels must not weigh more than 20 lbs.
- The thickness of the drawer panel must be 3/4".

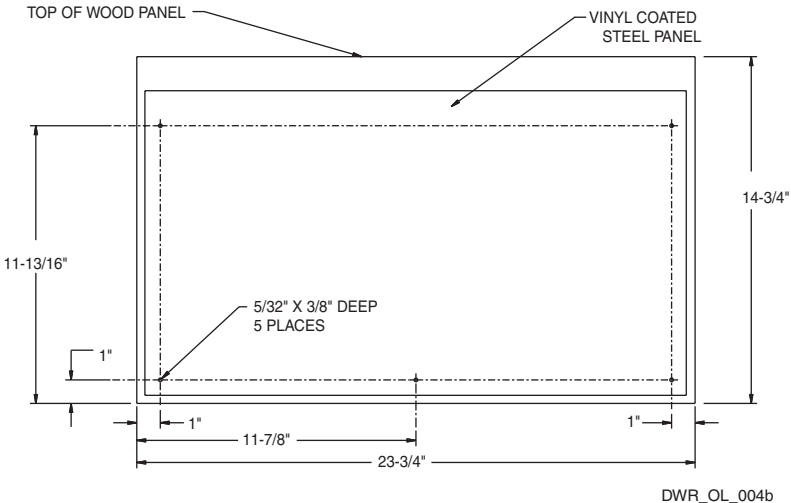


Figure 1

Remove existing drawer front from cabinet:

1. Open drawer. Pull door gasket (Figure 2) out of the groove (top edge of door only). Start in the middle and pull outward, moving toward the edge. This may take some force.
2. Remove the two screws located on both sides of the lower handle. Remove the handle (Figure 3).
3. Slide the existing drawer panel and cardboard spacer out of the drawer frame. Discard the spacer.

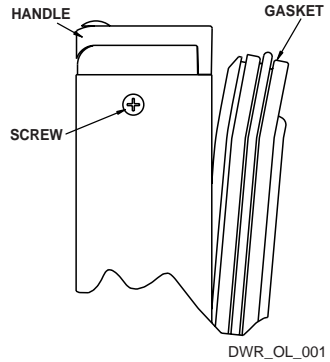


Figure 2

Attaching the full overlay panel:

4. If required, attach optional cabinet handle hardware to the overlay panel at this time. If an optional cabinet handle is installed, make sure the mounting screw heads are countersunk.

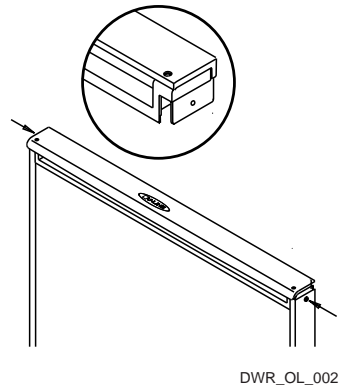


Figure 3

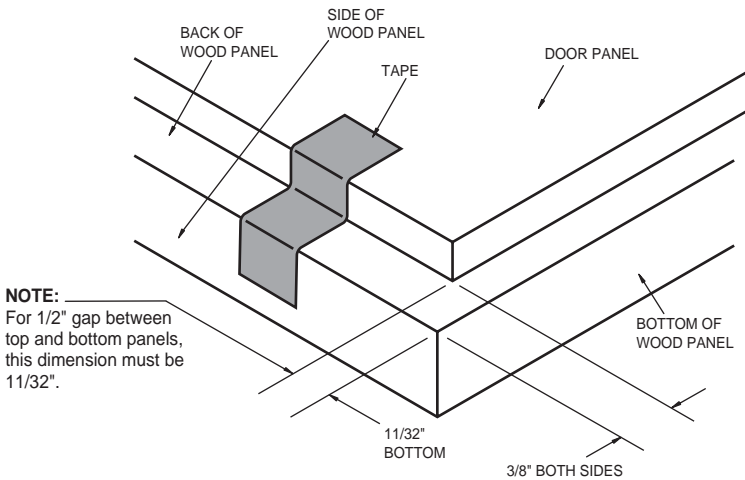
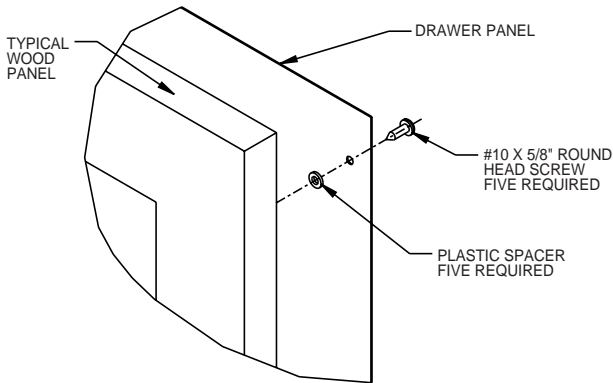


Figure 4

5. On a clean surface, place the wood panel face down and tape the existing drawer panel (removed in step 3) on the back of the wood panel (Figure 4) and drill the five (5) holes (5/32" drill 3/8" deep) through the drawer panel and 3/8" into the wood panel (Figure 1). Remove tape from the drawer panel, and enlarge the five holes in the front panel using a .201" drill (#7) drill.
6. Attach the drawer panel to the wood panel using #10 x 5/8" (P/N 42121) wood screws and nylon spacers (P/N 42120). The nylon spacers fit between the wood panel and the drawer panel as shown (Figure 5).



DWR_OL_005

Figure 5

IMPORTANT

Drawer panel and wood panel must be aligned properly or drawer will not operate correctly.

Assembling the drawer and wood panel:

7. Install the overlay panel by sliding the drawer panel back into the drawer frame.
8. Replace the handle assembly and secure with the two screws removed in Step 2.
9. Starting at the corners and working toward the center, push the drawer gasket back into place.