

User's Manual



U-LINE
CORPORATION

**ICE-MAKERS,
COMBOS AND
REFRIGERATORS**

U-LINE CORPORATION LIMITED WARRANTY

U-Line Corporation warrants each U-Line product to be free from defects in materials and workmanship for a period of one year from the date of purchase; and warrants the sealed system (consisting of the compressor, the condenser, the evaporator, the hot gas bypass valve, the dryer and the connecting tubing) in each U-Line product to be free from defects in materials and workmanship for a period of five years from the date of purchase. During the initial one-year warranty period for all U-Line products U-Line shall: (1) at U-Line's option, repair any product or replace any part of a product that breaches this warranty; and (2) for all Marine, RV and Domestic U-Line products sold and serviced in the United States (including Alaska and Hawaii) and Canada, U-Line shall cover the labor costs incurred in connection with the replacement of any defective part. During years two through five of the warranty period for the sealed system, U-Line shall: (1) repair or replace any part of the sealed system that breaches this warranty; and (2) for all Marine, RV and Domestic U-Line products sold and serviced in the United States (including Alaska and Hawaii) and Canada, U-Line shall cover the labor costs incurred in connection with the replacement of any defective part of the sealed system. All other charges, including transportation charges for replacements under this warranty and labor costs not specifically covered by this warranty, shall be borne by you. This warranty is extended only to the original purchaser of the U-Line product. The Registration Card included with the product should be promptly completed by you and mailed back to U-Line or you can register on-line at www.U-LineService.com.

The following are excluded from this limited warranty: installation charges; damages caused by disasters or acts of God, such as fire, floods, wind and lightning; damages incurred or resulting from shipping, improper installation, unauthorized modification, or misuse/abuse of the product; customer education calls; food loss/spoilage; door and water level adjustments (except during the first 90 days from the date of purchase); defrosting the product; adjusting the controls; door reversal; or cleaning the condenser.

If a product defect is discovered during the applicable warranty period, you must promptly notify either the dealer from whom you purchased the product or U-Line at P.O. Box 23220, Milwaukee, Wisconsin 53223 or at 414-354-0300. In no event shall such notification be received later than 30 days after the expiration of the applicable warranty period. U-Line may require that defective parts be returned, at your expense, to U-Line's factory in Milwaukee, Wisconsin, for inspection. Any action by you for breach of warranty must be commenced within one year after the expiration of the applicable warranty period.

This limited warranty is in lieu of any other warranty, express or implied, including, but not limited to any implied warranty of merchantability or fitness for a particular purpose; provided however, that to the extent required by law, implied warranties are included but do not extend beyond the duration of the express warranty first set forth above. U-Line's sole liability and your exclusive remedy under this warranty is set forth in the initial paragraph above. U-Line shall have no liability whatsoever for any incidental, consequential or special damages arising from the sale, use or installation of the product or from any other cause whatsoever, whether based on warranty (express or implied) or otherwise based on contract, tort or any other theory of liability.

Some states do not allow limitations on how long an implied warranty lasts or the exclusion or limitation of incidental or consequential damages, so the above limitations may not apply to you. This warranty gives you specific legal rights, and you may also have other rights which vary from state to state.

INTRODUCTION

Congratulations on your purchase of U-Line ice making or refrigeration products. A pioneer in the field for more than 30 years, U-Line is the world's number one manufacturer of built-in, under-counter ice making and specialty refrigeration products. U-Line dedicates 100% of its research and development to these products. The result: U-Line technology leads the market with new ideas and superior craftsmanship.

U-Line also backs customers with a strong dealer network. U-Line's commitment to quality even extends to environmentally safe packaging. U-Line products are making life more convenient in homes, business, and hotels around the world.

IMPORTANT

PLEASE READ all instructions completely before attempting to install or operate the unit. All models of Ice Makers and Combos require a connection to the water supply and improper hook-up can result in substantial property damage! If you are unsure of your ability to safely connect the water supply to the unit, consult a licensed plumber for assistance.

Once you have your unit installed, we suggest that you keep this manual in a safe place for future reference. Should any problems occur, refer to the **TROUBLESHOOTING** section of this manual. This information will help you to quickly identify a problem and get it remedied. In the event you require assistance, please contact the dealer where you purchased your unit.

PLEASE RECORD YOUR MODEL'S INFORMATION

Whenever you call to request information or service, you will need to know your model number and serial number. You can find this information on the serial plate located on the inside wall of your unit.

Please also record the purchase date of your U-Line unit and your dealer's name, address and telephone number.

Model Number: _____
Serial Number: _____
Purchase Date: _____
Dealer Name: _____
Dealer Address: _____
Dealer Telephone: _____

Keep this manual and the sales slip together in a safe place for further reference.



TABLE OF CONTENTS

INTRODUCTION.....	1
SAFETY PRECAUTIONS	3
INSTALLATION	5
CONNECTING THE WATER SUPPLY	7
LEVELING THE UNIT	9
GRILLE INSTALLATION	9
GLASS SHELF INSTALLATION.....	12
REVERSING THE DOOR	13
REVERSING A STAINLESS STEEL DOOR.....	18
ALIGNING THE DOOR.....	18
CUSTOM DOOR PANEL INSERT INSTALLATION	19
BUILT-IN INSTALLATION.....	21
INITIAL START-UP.....	23
NORMAL OPERATION	24
MARINE USE	26
ADJUSTING THE TEMPERATURE CONTROL.....	26
ADJUSTING ICE CUBE SIZE	27
CARE AND CLEANING	28
DEFROSTING	30
STORAGE	30
TROUBLESHOOTING	31
IF SERVICE IS REQUIRED	33
SPECIFICATIONS.....	33

SAFETY PRECAUTIONS

Do not attempt to install or operate your unit until you have read the safety precautions in this manual. Safety items throughout this manual are labeled with a Danger, Warning or Caution based on the risk type.

DEFINITIONS



This is the safety alert symbol. It is used to alert you to potential personal injury hazards. Obey all safety messages that follow this symbol to avoid possible injury or death.



DANGER



DANGER indicates an imminently hazardous situation which, if not avoided, will result in death or serious injury.



WARNING

WARNING indicates a potentially hazardous situation which, if not avoided, could result in death or serious injury.



CAUTION

CAUTION indicates a potentially hazardous situation which, if not avoided, may result in minor or moderate injury.

CAUTION

CAUTION used without the safety alert symbol indicates a potentially hazardous situation which, if not avoided, may result in property damage.

IMPORTANT

Indicates installation, operation or maintenance information which is important but not hazard-related.

User's Manual

GENERAL PRECAUTIONS



DANGER



Risk of child entrapment. Before you throw away your old refrigerator or freezer: Take off the doors, leave shelves in place so that children may not easily climb inside.



WARNING

- Never attempt to repair or perform maintenance on the unit until the electricity has been disconnected.
- Altering, cutting of power cord, removal of power cord, removal of power plug, or direct wiring can cause serious injury, fire and/or loss of property and/or life and will void the warranty.



CAUTION

- Do not lift unit by door handle.
- Use care when moving the unit. Some edges are sharp and may cause personal injury. Wear gloves when moving or positioning the unit.
- Never install the unit behind closed doors. Be sure front grille is free of obstruction. Obstructing free air flow can cause the unit to malfunction, and may void the warranty.
- Allow unit temperature to stabilize for 24 hours before use.
- Never use an ice pick or other sharp instrument to help speed up defrosting. These instruments can puncture the inner lining or damage cooling unit.
- Failure to clean the condenser every three months can cause the unit to malfunction. This could void the warranty.

CAUTION

- Using a heater to speed up defrosting can damage the inner lining. **DO NOT** use any type of electrical heater to defrost.
- Use only genuine U-Line replacement parts. Imitation parts can reduce ice rate, cause water to overflow from ice maker mold, damage the unit, and may void the warranty.

INSTALLATION

SITE PREPARATION

1. Position the unit on a flat, level surface, capable of supporting the entire weight of the unit. Remember that the unit will be significantly heavier once it is fully loaded.
2. Connect the unit to a grounded and polarized 115 VAC, 60Hz, 15A circuit (normal household current).

**DANGER**

ELECTROCUTION HAZARD!

Electrical Grounding Required. This appliance is equipped with a three prong (grounding) polarized plug for your protection against possible shock hazards.

- **NEVER** remove the round grounding prong from the plug.
- **NEVER** use a two-prong grounding adapter.
- **NEVER** use an extension cord to connect power to the unit.

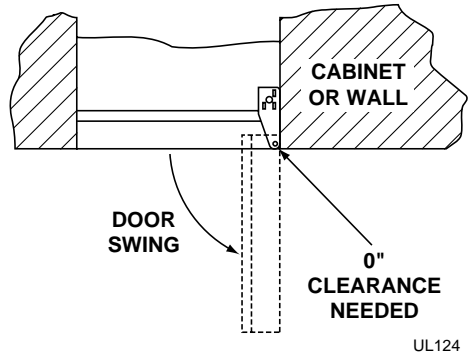
Where a two-prong wall receptacle is encountered or a longer power cord is required, contact a qualified electrician to have it replaced in accordance with applicable electrical codes.

User's Manual

NOTE

Keep in mind that the door of the unit may be mounted on either side of the cabinet (see **REVERSING THE DOOR**). All U-Line units have a zero clearance for the door to open when the handle is on the right (see Figure 1).

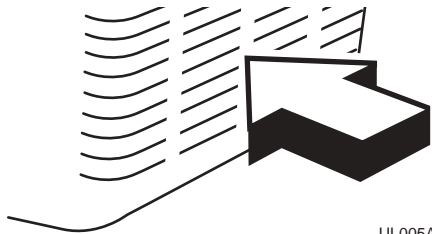
Additional clearance is needed for Combo Models 29A, 29FF, and 75A only, when the door handle is on the left. See **BUILT-IN INSTALLATION** for additional clearance requirements for these models.



UL124

Figure 1

3. On Ice Maker models SP18, BI-95, BI-98 and Combo Series 29 and 75, install a 1/4 inch copper water line (not supplied with unit) from the nearest COLD water pipe. When connecting the water supply, follow these guidelines:
 - Review the local plumbing codes before you install the unit.
 - In most instances, the cold water supply will come from the basement through a hole in the floor.
 - The water pressure should be between 15 and 150 psi.
 - Install a SHUT-OFF VALVE in the 1/4 inch supply line.
 - Connect sufficient tubing to the unit to allow the unit to be moved for cleaning and servicing. However, make certain that the tubing is not pinched or damaged during installation.
 - U-Line recommends the use of copper tubing for installation.
4. Position the unit to allow free air flow through the front grille (see Figure 2).
5. Wipe out inside of unit and ice bucket with a damp cloth.



UL005A

Figure 2

CONNECTING THE WATER SUPPLY

1. Install the 1/4 inch copper water line from the main water source. On ice maker models BI-95 and BI-98, the water line is inserted through the hole in the rear of the unit to connect to the solenoid valve in the front (see Figure 3).

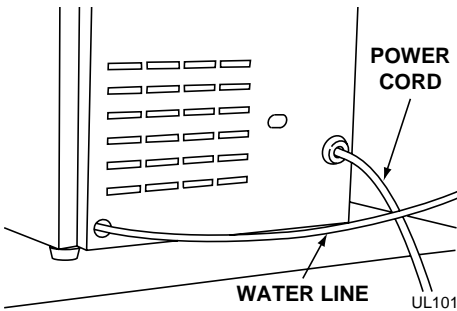


Figure 3

2. Locate the compression fitting and ferrule packed in the unit. Slide the compression fitting and ferrule over the 1/4 inch water supply line. Do not use thread sealing compound or tape. Using two wrenches, tighten the compression fitting on the supply line (see Figure 4).

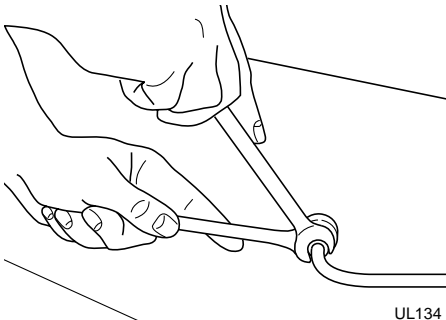


Figure 4

3. Carefully bend the water supply line into position and connect the line to the solenoid valve (see Figures 5 and 6). Avoid kinking the water supply line.

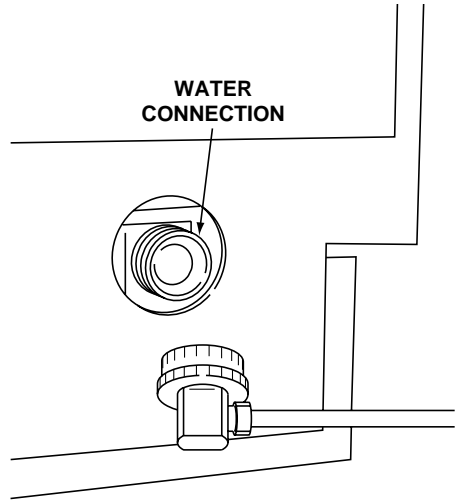


Figure 5

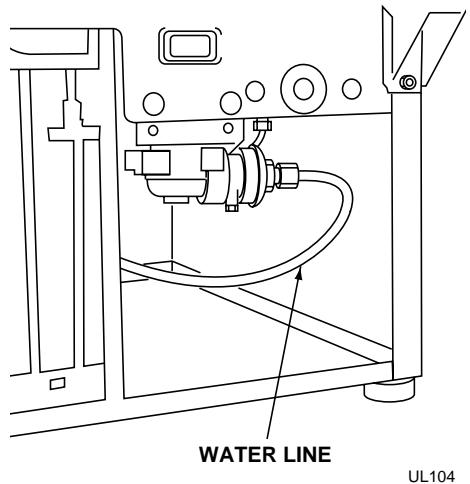


Figure 6

User's Manual

4. For recessed installations, allow extra water supply line length to provide slack for easy removal from the recessed area (see Figure 7). This will also safeguard against kinking the line.

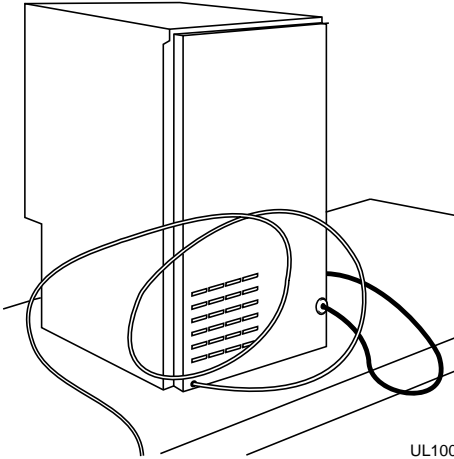


Figure 7

NOTE

If you are not intending to use the ice maker and do not connect the water supply (or turn the supply valve off), it is imperative to raise the bin arm of the ice maker (see Figure 8).

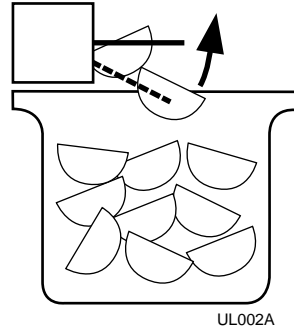


Figure 8

NOTE

After completing the installation, turn on the water and recheck water connection for leaks. Apply additional tightening if needed. Do not use thread sealing compound or tape.

NOTE

On Models BI-95 and BI-98, route the water supply line through the unit in such a way as to prevent the line from coming in contact with any internal components other than the solenoid valve (see Figure 6). Normal operation creates some vibration. A water supply line contacting an internal component or cabinet wall may cause excessive noise during operation or damage to the line.

5. Install the grille. See GRILLE INSTALLATION.
6. Plug in the power cord.
7. Gently push the unit into position. If desired the unit may be recessed into cabinet or wall.

8. Allow at least 1-1/2 inches clearance behind the unit for electrical and water supply connections.

LEVELING THE UNIT

It is important that the unit, primarily the ice maker assembly, is level. All 75 and 15 Series units are equipped with adjustable feet for leveling and height adjustment (see Figure 9). All other units have rubber feet.

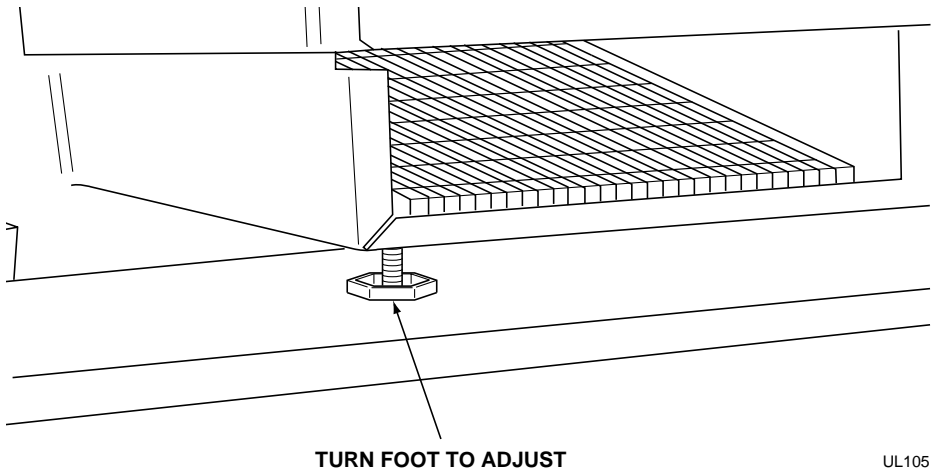


Figure 9

GRILLE INSTALLATION

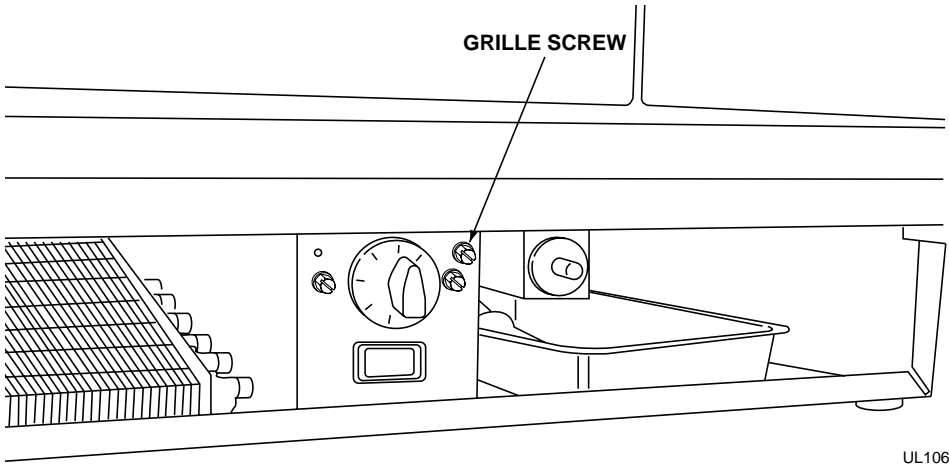
NOTE

Model SP18 Icemakers come with the grille already installed.

29 AND 75 MODELS

1. With a standard blade screwdriver (or 1/4" nutdriver), remove the screw needed to attach the grille (see Figure 10).
2. Remove the control knob by pulling it toward you.
3. Carefully remove the grille from inside the unit. A small screw hole is located toward the top of the middle recessed section of the grille.

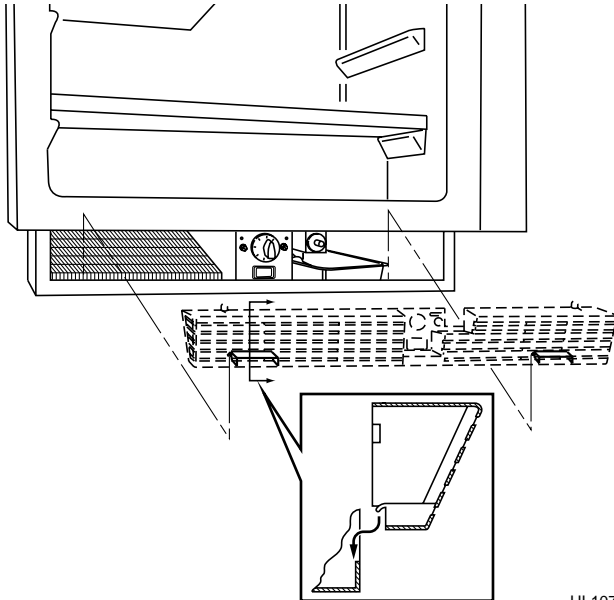
User's Manual



UL106

Figure 10

4. Place the two hook-hinges (located on the rear bottom side of the grille) on the front lip of the unit base. Swing the grille up into position, aligning the grille and cabinet screw holes (see Figure 11).



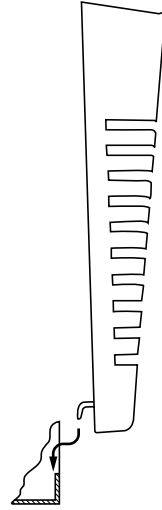
UL107

Figure 11

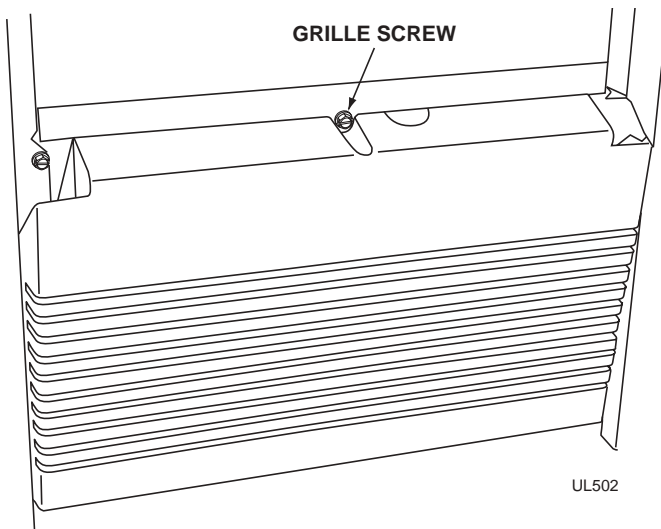
5. Insert the screw, being careful not to over tighten.
6. Reinstall control knob.

95 AND 98 MODELS

1. With a standard blade screwdriver (or 1/4" nutdriver), remove the screw needed to attach the grille (see Figure 12).
2. Carefully remove the grille from inside the unit. Locate the screw hole at the top, middle recessed section of the grille.
3. Place the two hook-hinges (located on the rear bottom side of the grille) on the front lip of the unit base. Swing the grille up into position, aligning the grille and cabinet screw holes (see Figure 13).



UL501

Figure 12

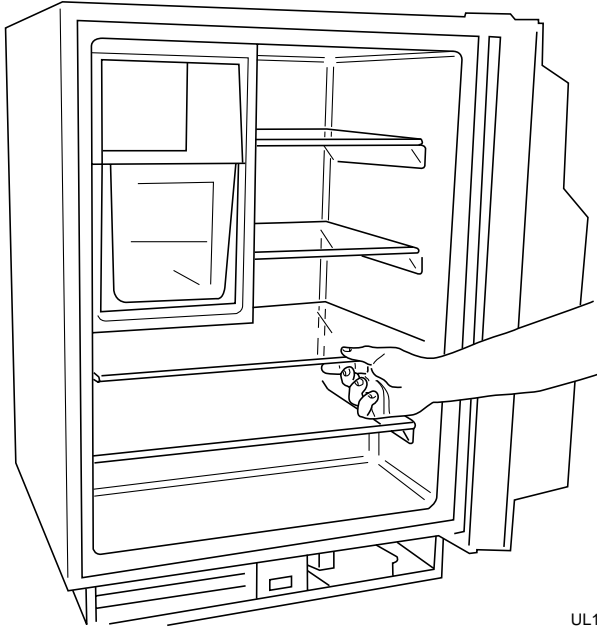
UL502

Figure 13

4. Insert the screw, being careful not to over tighten.

GLASS SHELF INSTALLATION (FOR MODELS WITH GLASS SHELVES)

1. Carefully remove the shelves from inside the unit and remove the packaging.
2. Slide the shelves onto desired ribs, making sure that the silver edge strip is toward the front of the unit and the decorative graphics are on the underside of the shelves. Make sure the shelves are inserted fully into the unit (see Figure 14). The white edge strip towards the rear (Models 15R, 29R and 75R only) prevents cans and bottles from freezing against the cold evaporator.



UL108

Figure 14

NOTE

Be sure to place shelves with the silver edge to the front and decorative graphics on the underside.

REVERSING THE DOOR

Depending upon the location of the unit, it may be desirable to change the side on which the door is mounted.

NOTE

On Combo Models 29A and 29FF (built-in installations only), changing the door mounting to the left side may interfere with ice bucket removal. See **BUILT-IN INSTALLATION** section for clearance requirements.

To reverse the door mounting on Models SP18, BI-95, BI-98, 15R, 29R, Combo 29A, and Combo 29FF (except Stainless Steel models), perform the following:

1. Remove grille (1 screw). See Figure 15.
2. Remove top hinge from cabinet (3 screws). See Figure 16. Hold door to keep it from falling.

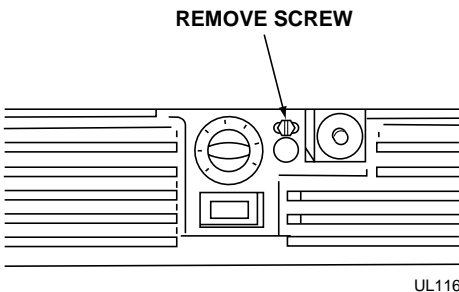


Figure 15

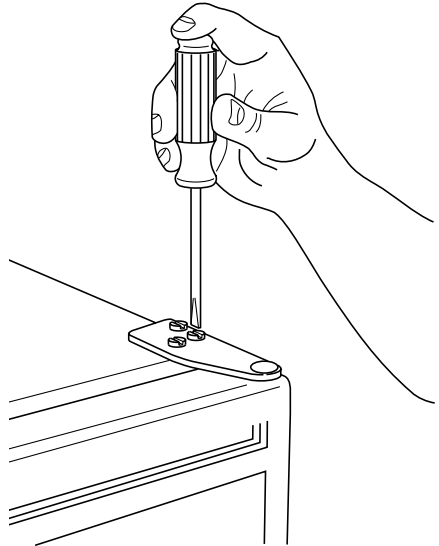
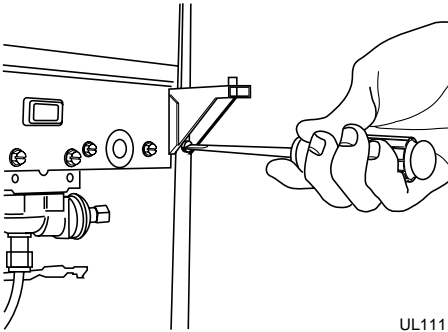


Figure 16

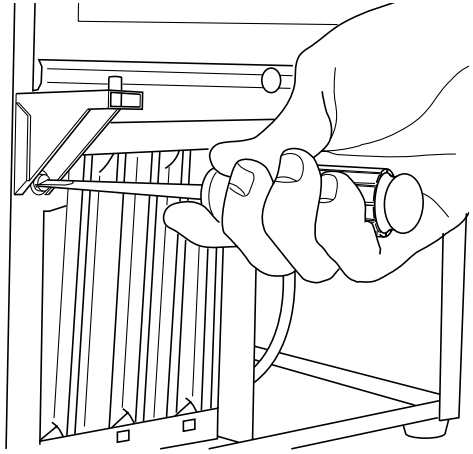
3. Lift the door off the bottom hinge.
4. Remove bottom hinge from cabinet (2 screws) (see Figure 17). Remove screws on opposite side of cabinet (see Figure 18). Note that there may be a nut behind one or both screws on either side.
5. Install hinge on opposite side, bottom of cabinet (see Figure 19). Replace nut on back side where installed. Align hinge outer edge with cabinet before tightening screws.

User's Manual



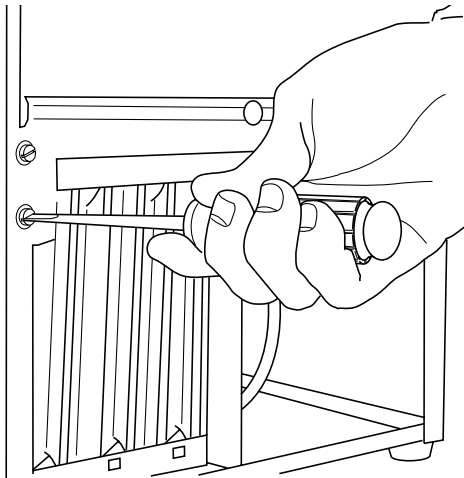
UL111

Figure 17



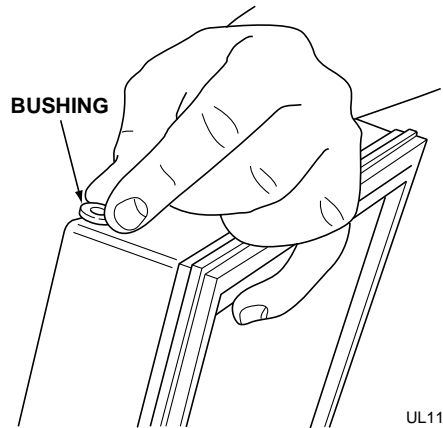
UL112

Figure 19



UL110

Figure 18

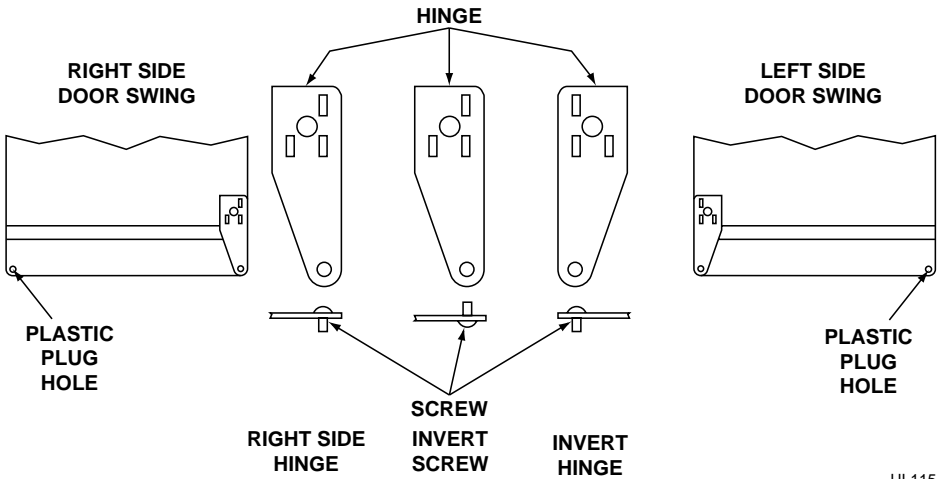


UL113

Figure 20

6. Relocate plastic spacer/bushing on bottom of door to opposite side, and place door on bottom hinge pin (see Figure 20). Clean out bushing hole in door bottom with a screwdriver if needed.
7. Remove plastic hole plug from door handle and relocate on opposite side. See Figure 21.

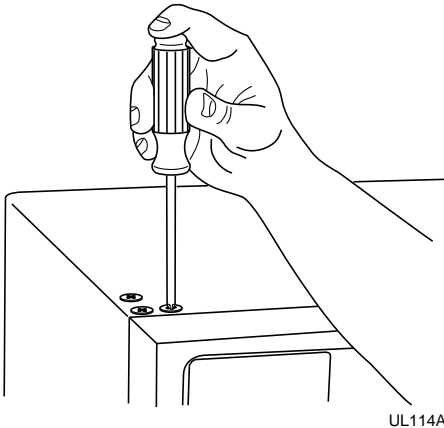
8. Remove pivot screw from top hinge, invert screw and reinstall pivot screw in top hinge. See Figure 19.



UL115

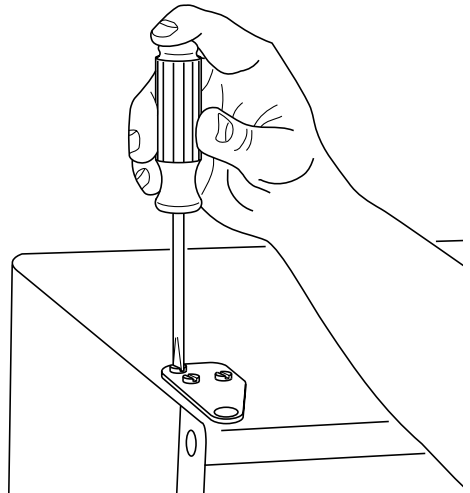
Figure 21

9. Remove three plastic screw plugs in hinge holes, top of cabinet, opposite side. Be careful not to scratch cabinet (see Figure 22).
11. Fasten upper hinge to unit (3 screws). Partially tighten screws until door is aligned. See Figure 23.



UL114A

Figure 22



UL119

Figure 23

10. Place door on lower hinge pin. Invert and install upper hinge on door.

User's Manual

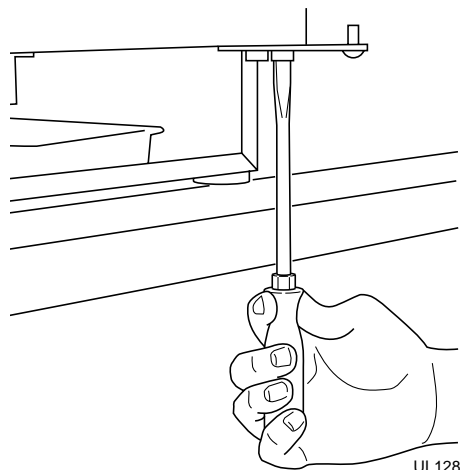
12. Adjust door to assure proper seal. Tighten upper hinge screws securely.
13. Replace three plastic plugs removed in step 8 into holes on top of unit. Replace screws in holes in bottom of unit, opposite side.
14. Reinspect door seal and alignment. Adjust if needed.
15. Reinstall grille (1 screw).

NOTE

On Combo Model 75A (built-in installations only), changing the door mounting to the left side may interfere with ice bucket removal. See BUILT-IN INSTALLATION section for clearance requirements.

To reverse the door mounting on Models Combo 75A and 75R (except Stainless Steel models) perform the following:

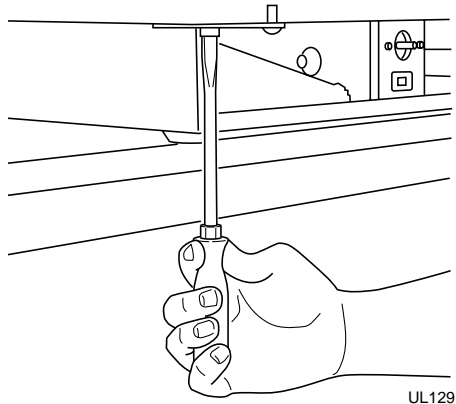
1. Remove grille (1 screw). See Figure 15.
2. Remove top hinge from cabinet (4 screws). See Figure 16. Hold door to keep it from falling.
3. Lift the door off the bottom hinge.
4. Remove four plastic plugs in hinge holes, top of cabinet, opposite side (see Figure 22). Be careful not to scratch cabinet.
5. Remove pivot screw from top hinge, invert screw and reinstall pivot screw in top hinge. See Figure 21. Do not install hinge on cabinet at this time.
6. Remove bottom hinge from cabinet (4 screws) and screws on opposite side of cabinet (see Figure 24).
7. Remove pivot screw from bottom hinge, invert screw and reinstall pivot screw in hinge (see Figure 21).



UL128

Figure 24

8. Install bottom hinge on cabinet, opposite side, aligning flat edge of hinge with outer edge of unit. Partially tighten screws. See Figure 25.
9. Relocate plastic spacer/bushing on bottom of door to opposite side, and place door on bottom hinge pin (see Figure 20). Clean out bushing hole in door bottom with a screwdriver if needed.

**Figure 25**

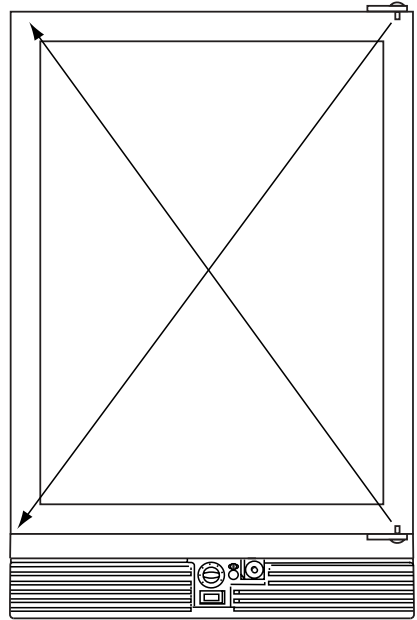
10. Place door on lower hinge pin. Align flat edge of top hinge with outer edge of unit and fasten upper hinge to unit (4 screws). Partially tighten screws until door is aligned. See Figure 23.
11. Adjust door to assure proper seal. Tighten upper and lower hinge screws securely.
12. Replace four plastic plugs removed in step 5 into holes on top of unit. Replace screws in holes in bottom of unit, opposite side.
13. Reinspect door seal and alignment. Adjust if needed.
14. Reinstall grille (1 screw).

User's Manual

REVERSING A STAINLESS STEEL DOOR

Stainless Steel models are field reversible for left or right hand opening. The door opening is easily reversed by moving the hinge hardware to the opposite side (see Figure 26) as follows:

1. Remove the bottom hinge (2 screws) from door.
2. Remove top hinge (2 screws) from door.
3. Remove door.
4. Remove top hinge (4 screws) from cabinet. Invert and install on bottom, opposite side of cabinet.
5. Remove bottom hinge (4 screws) from cabinet. Invert and install on top, opposite side of cabinet.
6. Attach top hinge to door.
7. Attach bottom hinge to door.
8. Align as required to assure proper door seal.



UL318C

Figure 26

ALIGNING THE DOOR

For proper door alignment:

1. Loosen top and bottom hinge screws (see Figure 16).
2. Align door squarely with cabinet.
3. Assure gasket is firmly in contact with cabinet all the way around the door (no gaps).
4. Tighten bottom hinge screws.
5. Tighten top hinge screws.

NOTE

When inspecting door alignment, make sure that the light switch bracket (where equipped) makes contact with the light switch plunger (see Figure 27). Also, make sure that the door gasket is not pinched too tightly on the hinge side of the door.

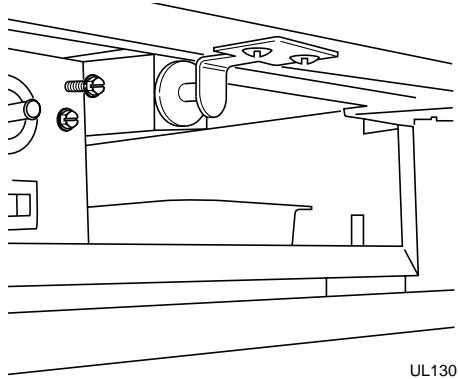


Figure 27

UL130

CUSTOM DOOR PANEL INSERT INSTALLATION

A custom door panel insert can be installed in most U-Line units. The door will accept a flat or raised panel. The maximum panel thickness where inserted into the door reveal (channel) is 1/4" thick. For raised panels, the depth of the reveal is 1/4" on the sides and bottom, and 1/2" on the top. The size of the door panel insert is shown below:

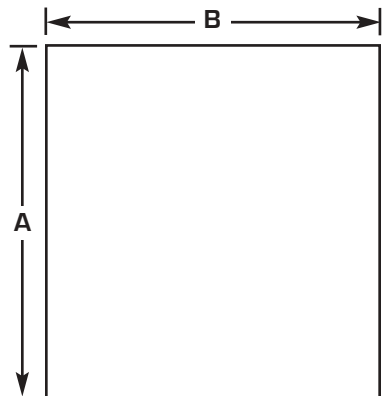
IMPORTANT

The door panel insert must not weigh more than 20 lbs.

Custom Door Panel Dimensions

Model	A	B
BI-95	13-15/32"	12-15/16"
BI-98	15-15/16"	13-15/16"
75 Series	28-5/32"	22-15/16"
75 SS	29-13/32"	22-15/16"
29 Series	21-13/32"	19-13/16"
15 Series	28-5/32"	13-15/16"
15 SS	29-13/32"	13-15/16"

SS - Stainless steel units



NOTE

Model SP18 does not accept custom door panels.

User's Manual

Install the insert as follows:



WARNING

Insert edges may be SHARP! Use care when installing.

1. Remove top hinge screw pin (large Phillips head, see Figure 28). Hold door to keep it from falling.
2. Remove door, being careful not to scratch top of door on hinge.
3. Pull door gasket out of groove (top edge of door only). Start in the middle and pull outward, moving toward the edge (see Figure 29). This may take some force.

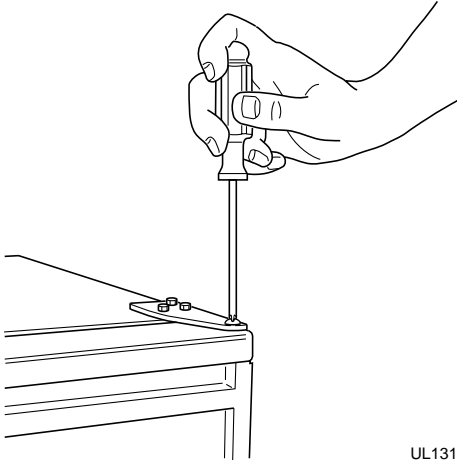


Figure 28

UL131

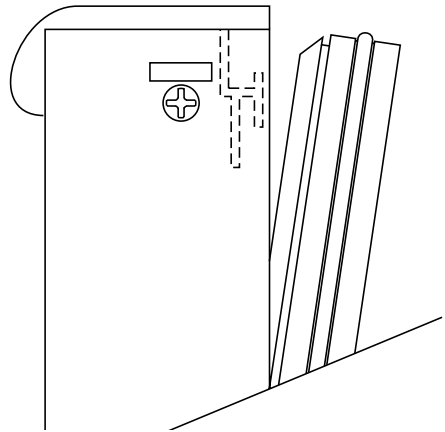


Figure 29

UL117

4. Remove two small screws holding door handle. Slightly separate door handle from door (see Figure 30).
5. Pull handle up and off.

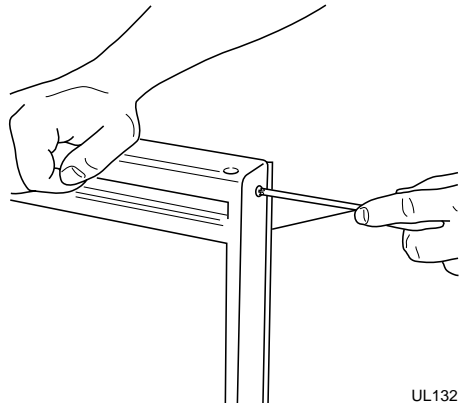


Figure 30

UL132

NOTE

Use care not to bend light switch bracket (where installed), located on door bottom when installing door insert. Do not set door on bottom edge when pushing insert into place.

6. Slide custom door panel insert into 1/4 inch channel in door front.
7. Holding door gasket out of the way, replace handle on door making sure it is seated properly on insert and that screw holes line up.
8. Install two small screws removed in step 4.
9. Starting at the center and working outward, push door gasket into place on door.
10. Place door on bottom hinge pin and install upper hinge screw (see Figure 28).
11. Reinspect door seal and alignment. Adjust if needed.

BUILT-IN INSTALLATION

Your U-Line product has been designed for either free-standing or built-in installation. When built-in, your U-Line product does not require additional air space for top, sides, or rear. However, the front grille must NOT be obstructed.

NOTE

Combo Models 29A, 29FF, and 75A require additional clearance when the door opens from the right (see Figures 32 and 33). This additional clearance allows for the ice bucket to be removed from the unit.

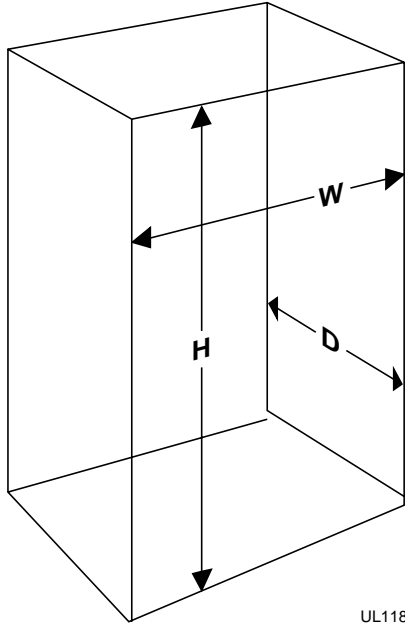
Unit Dimensions

Model	Width	Height	Depth
SP18	13-15/16"	18-1/2"	25-1/4"
95	13-13/16"	24-3/4"	17"
98	14-13/16"	27-3/8"	20"
15 Series	14-15/16"	34 - 35"	23-3/4"
29 Series	20-13/16"	28-1/2"	24"
75 Series	23-7/8"	34 - 35"	24"

User's Manual

NOTE

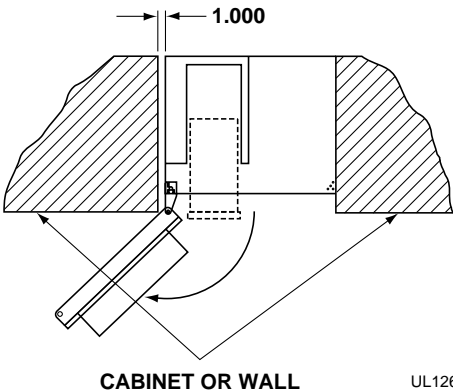
To ease unit installation and removal, increase the Unit Dimension measurements. It is recommended that the cabinet rough opening dimensions be increased by at least 1/4" over the dimensions given for your unit.



UL118

Figure 31

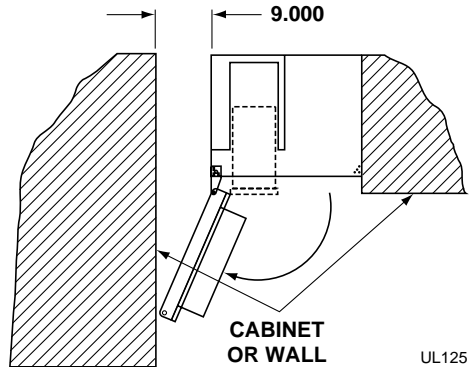
AT LEAST 1" CLEARANCE REQUIRED IF UNIT IS INSTALLED FLUSH WITH CABINET OR WALL.



UL126

Figure 32

AT LEAST 9" REQUIRED IF UNIT IS INSTALLED ADJACENT TO CABINET OR WALL.



UL125

Figure 33

INITIAL START-UP

Once installation is complete, the unit is ready for initial start-up and operation.

NOTE

Models BI-95 and BI-98 have the ON-OFF switch behind the front grille. A small opening in the top of the grille is provided to access the switch (see Figure 34).

Some models may also turn off when the temperature control is turned all the way towards warmer until it stops (clicks).

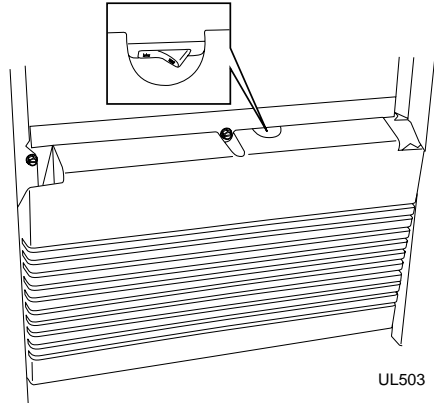


Figure 34

1. Plug the appliance cord into a 115V polarized and grounded electrical outlet.
2. Check that the ON-OFF switch is in the ON position.
3. Open the water supply valve in the main water source. As soon as the ice maker mold reaches the proper temperature, the ice maker mechanism will fill the mold with water. The first cubes may be small because of air in the water line. Subsequent cubes will be of standard size. Approximate time for the first cycle is 45 minutes. Allow 2 hours for any Frostfree models.

IMPORTANT

It is possible that dirt or scale will dislodge in the water line. Always throw away all ice cubes made during the first two to three hours of operation.

IMPORTANT

Allow unit temperature to stabilize for 24 hours before use.

NORMAL OPERATION

On units with refrigerator sections, the unit has been designed to achieve a fresh food temperature of approximately 38°F (temperature may vary due to ambient temperature).

On units with ice makers, when the ice bucket is full, the ice making mechanism will shut off. However, the refrigeration system will continue to cool and maintain the cube supply. On frost free icemaker units, ice production will be lower than on manual defrost units.

Ice production may be interrupted by raising the bin arm into an upright and locked position (the unit will maintain temperature for ice storage, see Figure 36).

On Combo units, the refrigerator fresh food temperature may vary during the initial manufacture of ice. It is recommended that the ice bucket be allowed to fill before placing food in the refrigerator section. The temperature control may then be adjusted as needed (allow 24 hours for temperature stabilization).

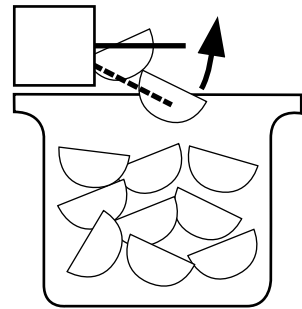


Figure 36

Certain sounds are normal during the unit's operation. You may hear the compressor or fan motor, the water valve, sounds of defrost, or ice dropping into the ice bucket.

CAUTION

NEVER use an ice pick, knife, or other sharp instrument to separate cubes. Shake the bucket instead.

The ice bucket **MUST** be in place to avoid freezing products in the refrigerator section of the Combo Series 29 and 75.

During periods of limited usage or high ambient temperatures, it is common for cubes to fuse together. Break apart cubes as necessary by shaking bucket.

If ice maker is not used regularly, the ice bucket should be emptied periodically to ensure fresh cubes.

It is normal for cubes to appear cloudy. This is caused by air being trapped in the water due to fast freezing. It has nothing to do with the health, taste or chemical make-up of the water. It is the same air that is in every glass of water you drink.

To provide for higher ice rate (production of more cubes), adjust the temperature control to a **warmer** setting. If hollow cubes result, adjust temperature somewhat **colder**. For less cube production, adjust to a **colder** setting.

The ice bucket must be fully inserted in the freezer section.

The ice bin door must be fully closed.

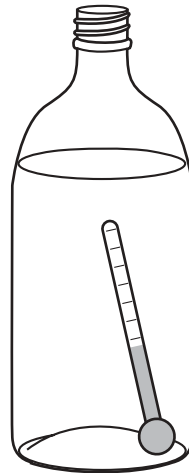
For frost free models: Do not place any objects over air inlet or outlet in freezer section.

For frost free models: Light frosting may occur in high humidity conditions or if the ice bucket is not pushed in completely.

CHECKING TEMPERATURE

To accurately check the temperature, insert an accurate thermometer into a plastic (non-breakable) bottle, partially filled with water. Tighten the bottle cap securely (see Figure 37).

Place the bottle in the desired area for 24 hours. Refrain from opening the unit during the testing period. After 24 hours, check the temperature of the water. Adjust the control knob if necessary and retest.



UL320

Figure 37

IMPORTANT

Make adjustments in small increments and allow unit to stabilize for 24 hours before making further adjustments.

User's Manual

MARINE USE

Many U-Line models are designed to operate in a harsh marine environment. Special considerations include the following:

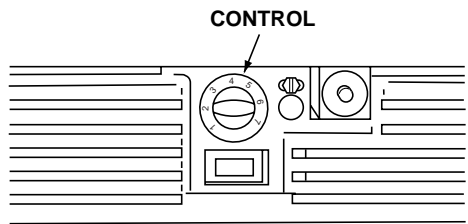
- For best performance, keep the unit out of direct sunlight.
- On Ice Maker models, turn the unit OFF and dispose of any ice cubes if the unit will not be used for 5 days or more. Prop door open to allow for air circulation and prevent mold and mildew. Do not use anti-freeze in your icemaker.
- If the ambient temperature is expected to drop below 45°F, drain all water from the unit to prevent freezing damage not covered by the warranty.
- High ambient temperatures (110°F or higher) may reduce the unit's ability to reach low temperatures and may also reduce the ice production rate.

ADJUSTING THE TEMPERATURE CONTROL

Models BI-95 and BI-98: Use a flat tip screwdriver to turn adjusting screw, located behind front grille, clockwise for colder (slower ice production) or counterclockwise for warmer (faster ice production).

Series 15, 29 and 75: Adjust control setting by turning the numbered dial (see Figure 38).

Model SP18 temperature control has been preset at the factory for optimum ice production. Do not attempt to make adjustments.



UL504

Figure 38

ADJUSTING ICE CUBE SIZE

On models equipped with an ice maker, the cube size may be adjusted by changing the amount of water injected into the ice maker assembly.

1. Remove the ice maker assembly cover (see Figure 39).
2. Locate the adjusting screw on the ice maker assembly control box. The adjusting screw is just below the minus (-) and plus (+) signs on the control box (see Figure 40).

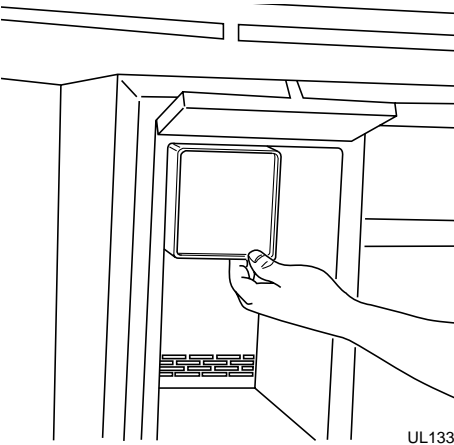


Figure 39

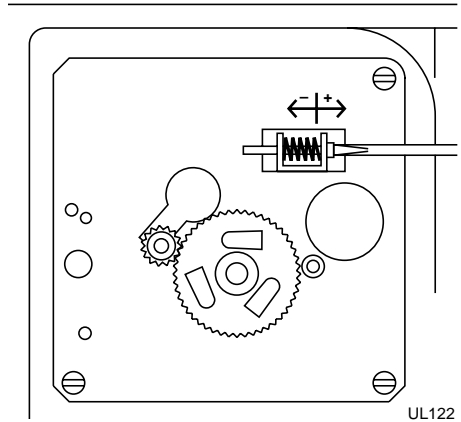


Figure 40

3. Turn the adjusting screw toward the minus (-) sign (clockwise) for smaller cubes or toward the plus (+) sign (counterclockwise) for larger cubes.
4. Install the ice maker assembly cover.

Some units are not frost free and must be defrosted periodically. Refer to CARE AND CLEANING.

CAUTION

Use only genuine U-Line replacement parts. U-Line ice maker parts are not the same as standard FSP Whirlpool parts. Using non U-Line parts can reduce ice rate, cause water to overflow from ice maker mold, damage the unit, and may void the warranty.

CARE AND CLEANING

Periodic cleaning and proper maintenance will ensure efficiency, top performance, and long life. We suggest the following:

- The interior may be cleaned with a mild detergent and warm water.
- Avoid the use of solvent cleaning agents or abrasives on the interior. These cleansers may transmit taste to the ice cubes and food, or damage or discolor the interior.
- The exterior may be cleaned with a mild detergent and warm water.
- The front grille should be kept free of dust and lint to permit free air flow to the condenser (see Figure 41). The condenser coil, located behind the front grille, should be cleaned three to four times each year. Use a brush or vacuum cleaner to remove dirt, lint and other accumulations from the condenser coil.

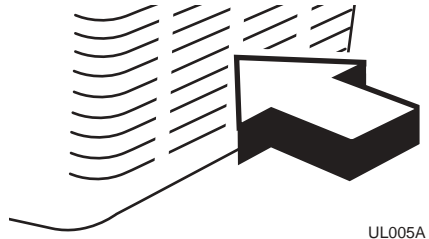


Figure 41



CAUTION

The condenser fins are **SHARP**. **DO NOT** run hands over condenser fins.

The solenoid valve inlet screen must be cleaned at least once each year as follows:

1. Shut off the water at the water supply valve.
2. Remove the entire hose connector from the solenoid valve.
3. Use a tooth brush to clean sediment from the inlet screen (see Figure 42). **DO NOT** remove the screen.
4. Attach the hose connector to the solenoid valve. Tighten connector securely with a pliers. Open the water supply valve and check for leakage at the hose connector.

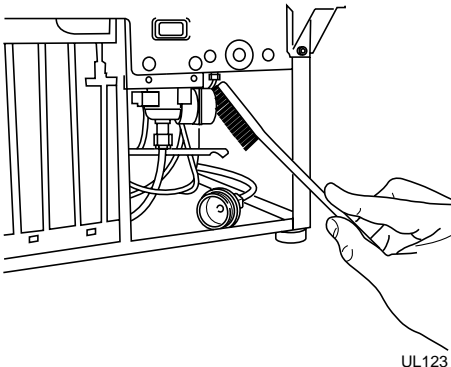


Figure 42

LIGHT BULB REPLACEMENT

Light bulb replacement is simple.

1. Remove the light housing cover by sliding the cover toward the tab, swinging the end opposite the tab down and pulling down and away (see Figure 43).
2. Replace bulb with genuine U-Line replacement.
3. Replace the light housing cover by inserting the tab FIRST, sliding the cover toward the tab and pushing up the other end. You should hear a snap/click.

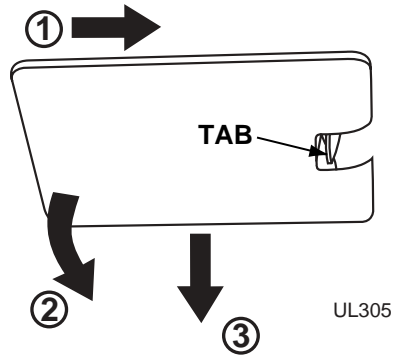


Figure 43

DEFROSTING

CAUTION

DO NOT use any type of electrical heating device, ice pick, knife, or other sharp instrument to defrost, as this could damage the inner lining or refrigeration system and void the warranty.

Manual defrost models should be defrosted approximately every 8 weeks. However, this interval may not be adequate in periods of high humidity or heavy usage. Defrost your unit whenever the frost thickness is 1/4" or greater. To defrost, turn the unit OFF, remove cubes and prop door open at least two inches.

NOTE

Frost free units will never need defrosting. Automatic defrost models do not normally require manual defrosting. However, in extremely high humidity or during periods of unusually high usage, minimal manual defrosting may be required.

STORAGE

If the unit is to be stored or not used for extended periods, it will be necessary to drain the system of water.

1. Shut off water supply at the main water source.
2. Disconnect the water supply line from the solenoid valve.
3. Disconnect the water line from the solenoid valve outlet.
4. Allow the unit to run for an hour or more until all remaining ice cubes have been ejected from the ice maker assembly.
5. Dry out excess water from the ice maker assembly.
6. Prop the door open at least two inches.
7. Disconnect unit from main electrical power source.
8. Leave water supply line and power cord disconnected until ready to reuse.

NOTE

The use of anti-freeze or other products of this nature is not necessary and is not recommended.

TROUBLESHOOTING

BEFORE CALLING FOR SERVICE

If the unit appears to be malfunctioning, read through NORMAL OPERATION first. If the problem persists, check the TROUBLESHOOTING GUIDE. Locate the problem in the guide and refer to the cause and its remedy before calling for service. The problem could be something very simple which can be solved without a service call.

TROUBLESHOOTING GUIDE



DANGER



ELECTROCUTION HAZARD

NEVER attempt to repair or perform maintenance on the unit until the main electrical power has been disconnected.

Troubleshooting — What to check when problems occur

Problem	Possible Cause	Remedy
No interior light	Loose or burned out bulb	Tighten or replace bulb. See LIGHT BULB REPLACEMENT
The unit is not cold enough	Light staying on	Adjust door so light switch bracket contacts switch plunger. See ALIGNING THE DOOR
	Door gasket not sealing properly	Adjust door. See ALIGNING THE DOOR
	Dirty condenser coils	Clean condenser. See CARE AND CLEANING
	Airflow to front grille blocked	Airflow must not be obstructed to front grille. See INSTALLATION
	Temperature not set cold enough	Turn control knob CLOCKWISE to set temperature colder. Allow 24 hours for temperature to stabilize
The unit is not cold enough (Frost free units only)	The door was left open causing the evaporator behind the back wall to fill with frost preventing proper air flow and cooling.	Turn off the unit to manually defrost the evaporator. See DEFROSTING.

User's Manual

Problem	Possible Cause	Remedy
The unit frosts up	Unit is manual defrost model	Models SP18, 95, 98, and Combo 29A and 75A are manual defrost. Refer to DEFROSTING
	Door gasket not sealing properly	Adjust door. See ALIGNING THE DOOR
	High ambient temperatures or humidity	Defrost unit manually. See DEFROSTING
Water is leaking out the back of the unit	Water supply connection leaking	Tighten fitting. See CONNECTING THE WATER SUPPLY
Ice cubes sticking together	Door gasket not sealing properly	Adjust door. See ALIGNING THE DOOR
	Infrequent use of cubes	Break apart cubes
Noise during operation	Copper water supply tubing contacting internal components	Carefully bend tubing away from cabinet and components
	Certain sounds are normal.	Soft sounds from the fan and water/dropping sounds from the ice maker will be heard.
	Fan blade touching obstruction (wiring, foam insulation, etc.)	Remove obstruction
No ice	Bin arm locked in upright position	Lower bin arm
	No water to unit.	Turn on water or contact plumber.
Not enough ice	Control set too cold	Adjust control to a warmer setting (COUNTER-CLOCKWISE)
	Ice cube size too large	Set cube size smaller. See ADJUSTING ICE CUBE SIZE
	Dirty condenser coils.	Clean condenser. See MAINTENANCE.
Water leaks into ice bucket	Water level set too high	Set cube size smaller. See ADJUSTING ICE CUBE SIZE
Fresh food section on Combo units too cold	Ice bucket not fully inserted	Push ice bucket into place WATER SUPPLY
	Flap door not closed correctly	Be sure Flap door is closed correctly.
Unit too cold	Temperature control set too cold	Set control to warmer setting (COUNTERCLOCKWISE)
	Inaccurate temperature reading.	Properly check temperature.

IF SERVICE IS REQUIRED

If the need for service arises, contact the dealer from whom the unit was purchased. State the Model Number and Serial Number and explain the problem. The Model and Serial Number plate is located inside unit at upper right hand corner.

If you do not know the name of the selling dealer or local service company, you can check online at www.U-LineService.com.

SPECIFICATIONS

Unit Type	Model Number	Ice Production Capacity (per day)	Cube Storage Capacity	Fresh Food (refrigerator) Capacity	Freezer Capacity	Defrost Technology
Ice Makers	SP18	18 lbs. (8 kg)	12 lbs. (5 kg)			Manual
	BI-95	23 lbs. (10 kg)	12 lbs. (5 kg)			Manual
	BI-98	25 lbs. (11 kg)	25 lbs. (11 kg)			Manual
Combos	75A	22.5 lbs. (10 kg)	13 lbs. (6 kg)	4.2 cu. ft. (119 L)		Manual
	29FF	8 lbs. (4 kg)	13 lbs. (6 kg)	2.1 cu. ft. (60 L)		Frost Free
	29A	22 lbs. (10 kg)	13 lbs. (6 kg)	2.1 cu. ft. (60 L)		Manual
Refrigerators	75R			6 cu. ft. (170 L)		Automatic Defrost
	29R			3.5 cu. ft. (99 L)		Automatic Defrost
	15R			3.5 cu. ft. (99 L)		Automatic Defrost

User's Manual



P.O. Box 245040
Milwaukee, WI 53224-9540
Phone 414.354.0300
FAX 414.354.7905
www.U-Line.com

Printed in U.S.A.
P/N 41923 (Rev. 08/03)

