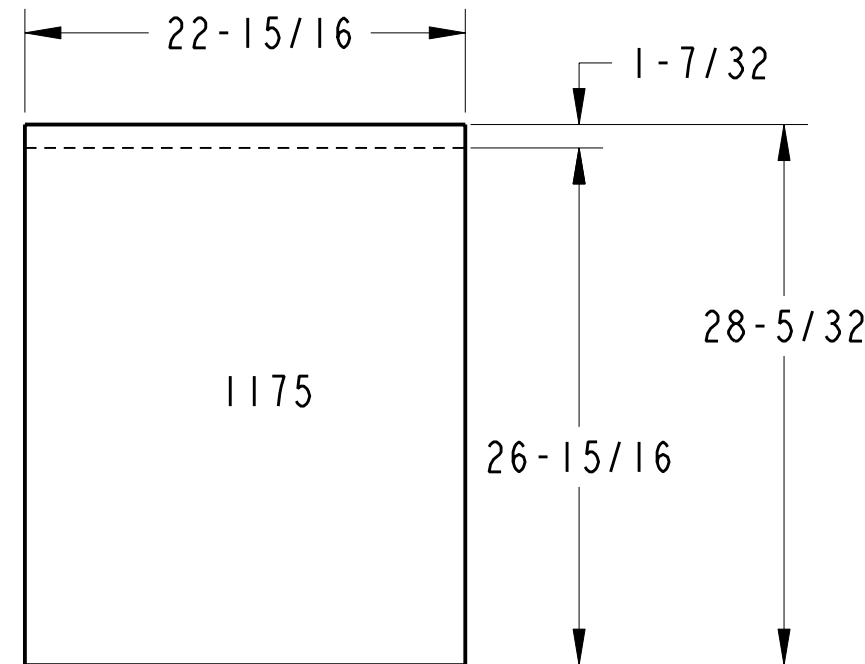
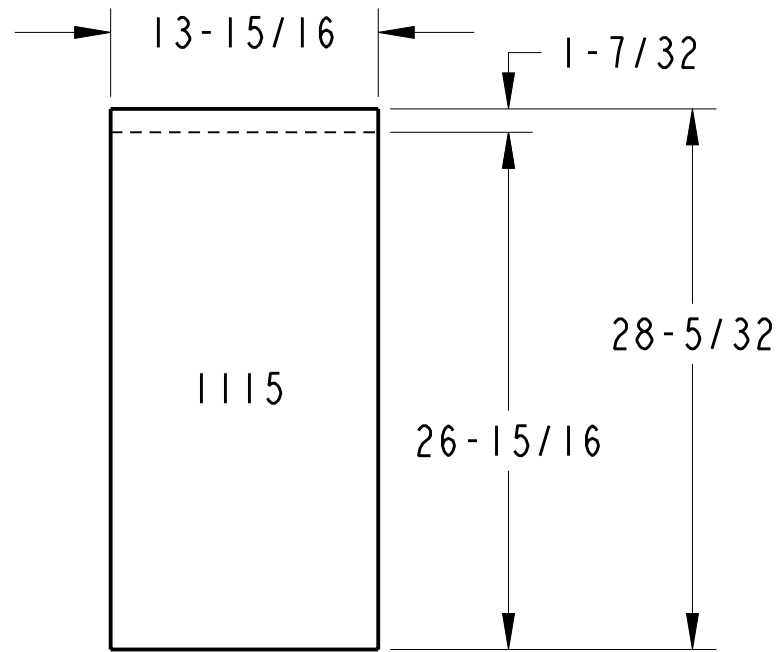
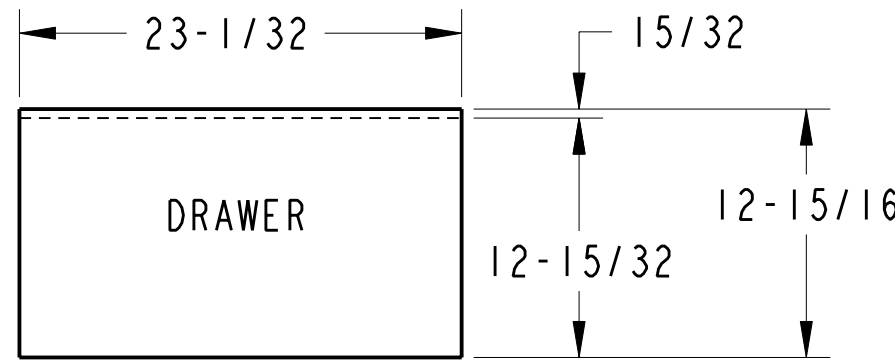
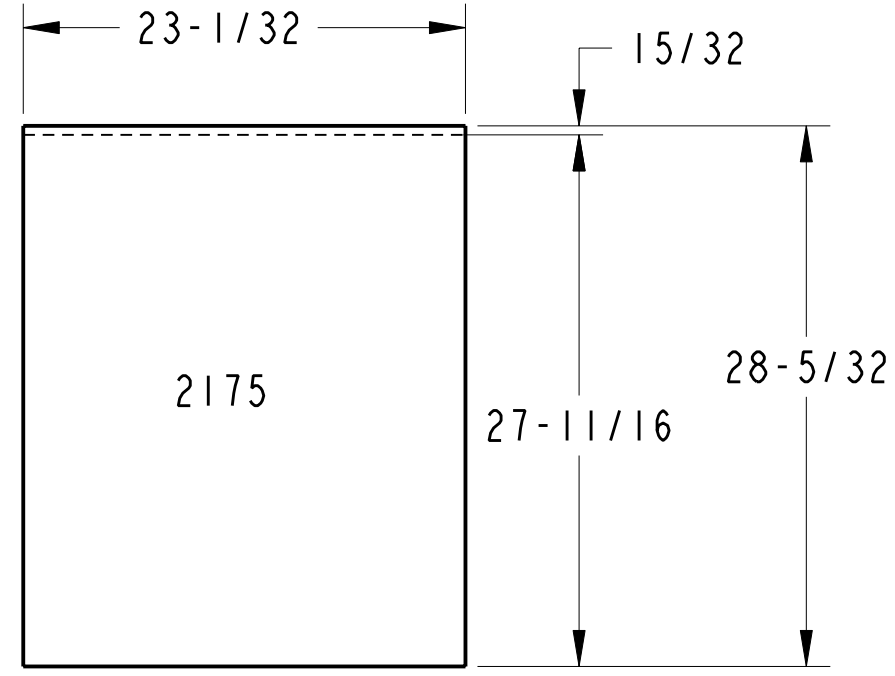
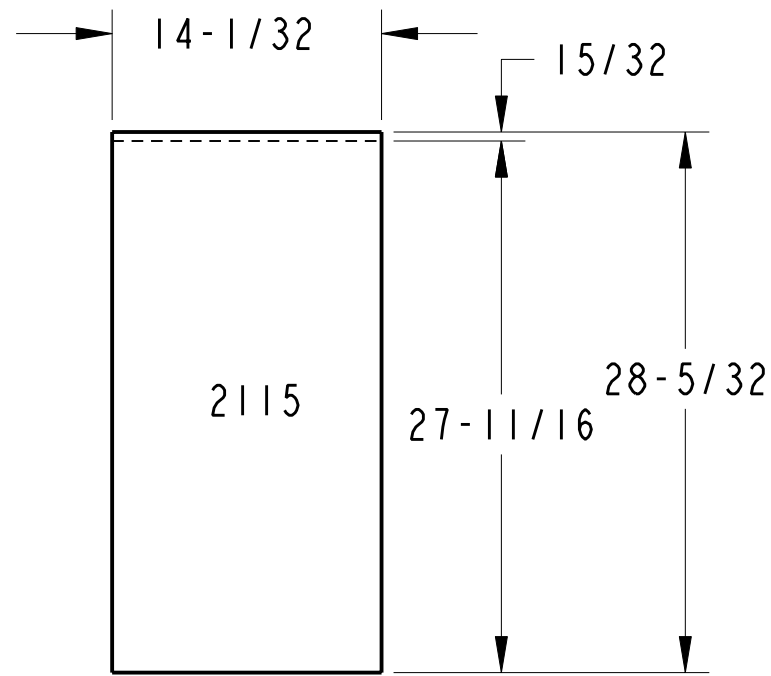


## U-LINE 2006 INSERT PANEL CHANGES



**FOR ALL PANELS THE WIDTH DOES NOT CHANGE.**

**TO MOVE A 2075 OR 2015 DOOR PANEL TO A 2175 OR 2115 DOOR:**

1. THE HEIGHT IS SHORTENED  $\frac{15}{32}$ .
2. THE HEIGHT OF THE PANEL MUST BE CHANGED TO  $27\frac{11}{16}$ .
3. THE REVEAL OF  $\frac{1}{4}$  ON ALL FOUR SIDES FOR THIS PANEL DOES NOT CHANGE.
4. FOR RAISED PANELS ATTACHED TO INSERT PANELS THE RAISED PANEL MAY NOT BE TALLER THAN  $27\frac{3}{16}$ .
5. DEPENDING ON YOUR STYLE OF DOOR THE AMOUNT REMOVED MAY BE TAKEN FROM THE TOP AND/OR BOTTOM OF THE PANEL TO CENTER A DESIGN OR RAISED PANEL.

**TO MOVE A 2075 DRAWER PANEL TO A 2175 DRAWER:**

1. THE HEIGHT IS SHORTENED  $\frac{15}{32}$ .
2. THE HEIGHT OF THE PANEL MUST BE CHANGED TO  $12\frac{15}{32}$ .
3. THE REVEAL OF  $\frac{1}{4}$  ON ALL FOUR SIDES FOR THIS PANEL DOES NOT CHANGE.
4. FOR RAISED PANELS ATTACHED TO INSERT PANELS THE RAISED PANEL MAY NOT BE TALLER THAN  $11\frac{31}{32}$ .
5. DEPENDING ON YOUR STYLE OF DOOR THE AMOUNT REMOVED MAY BE TAKEN FROM THE TOP AND/OR BOTTOM OF THE PANEL TO CENTER A DESIGN OR RAISED PANEL.

**TO MOVE A 75 OR 15 DOOR PANEL TO A 1175 OR 1115 DOOR:**

1. THE HEIGHT IS SHORTENED  $1\frac{7}{32}$ .
2. THE HEIGHT OF THE PANEL MUST BE CHANGED TO  $26\frac{15}{16}$ .
3. THE REVEAL FOR THIS PANEL HAS CHANGED, THE REVEAL IS  $\frac{1}{4}$  ON ALL FOUR SIDES. FOR 75 & 15 THE REVEAL ALONG THE TOP WAS  $\frac{1}{2}$ .
4. FOR RAISED PANELS ATTACHED TO INSERT PANELS THE RAISED PANEL MAY NOT BE TALLER THAN  $26\frac{7}{16}$ .
5. DEPENDING ON YOUR STYLE OF DOOR THE AMOUNT REMOVED MAY BE TAKEN FROM THE TOP AND/OR BOTTOM OF THE PANEL TO CENTER A DESIGN OR RAISED PANEL. MORE MAY NEED TO BE TAKEN FROM THE TOP THAN THE BOTTOM BECAUSE THE REVEAL CHANGED.