



Echelon Series

**Overlay Door Panel
Installation Instructions for
Wine Captain Models
2175WCOL, 2115WCOL and
2175BEVOL**

www.U-LineService.com

**Phone (414) 354-0300 • FAX (414) 354-7905
Service & Parts Tech Lines Phone (800) 779-2547 • FAX (414) 354-5696
OnlineService@U-Line.com**

©2007 U-Line Corporation
02/2007

Overlay Panel Kit Parts Supplied

Item	Part Number	Description	Quantity
1	12029-BLK	Top Pivot Plate - Black	1
2	12041	Insert 8mm Plug	2
3	20002	Screw #6 x 1.0 Pan HD	10
4	30138	Mounting Instructions, 21XX (not shown)	1
5	30139	WC Overlay Prep Sheet, 21XX (not shown)	1
6	31672	Door Closer - Male	1
7	31673	Door Closer - Female	1
8	35003	Foam Tape .093 x .375 x 8' (not shown)	1
9	35003	Zipper Bag (holding closer ASM) (not shown)	1
10	42096	Pivot Post	2
11	42122	Screw #6 x .50 Lg Flat HD	2

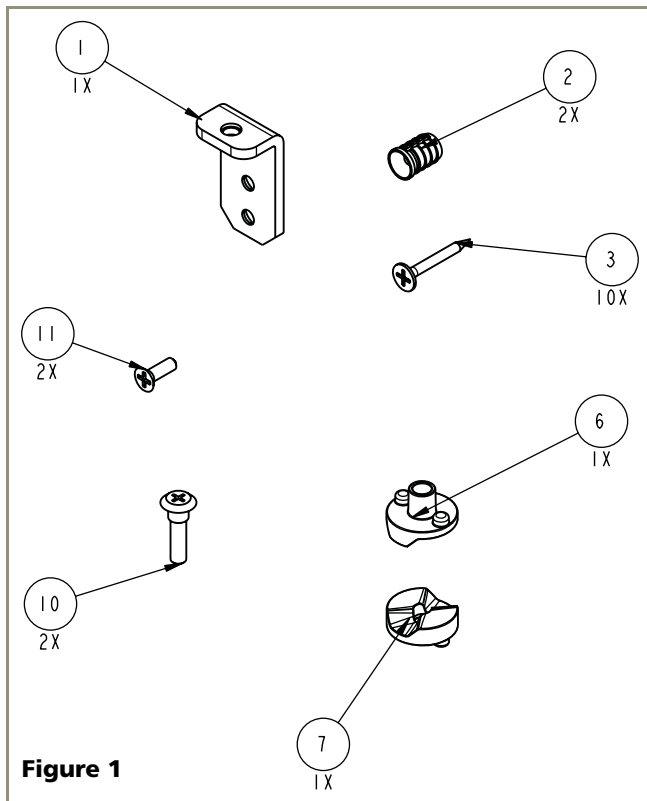


Figure 1

Prepare the New Overlay Panel

Refer to the Overlay Panel Preparation instruction sheet, part number 30139.

IMPORTANT

The overlay door panel must not weigh more than 20 lbs. The thickness of the door panel must be 3/4".

Remove Gasket from Door

1. Remove door from shipping box.
2. Turn door over so gasket is facing up. Pull door gasket out of the groove completely. Start in the middle and pull outward, moving toward the edge (**Figure 2**). This may take some force, but be careful.

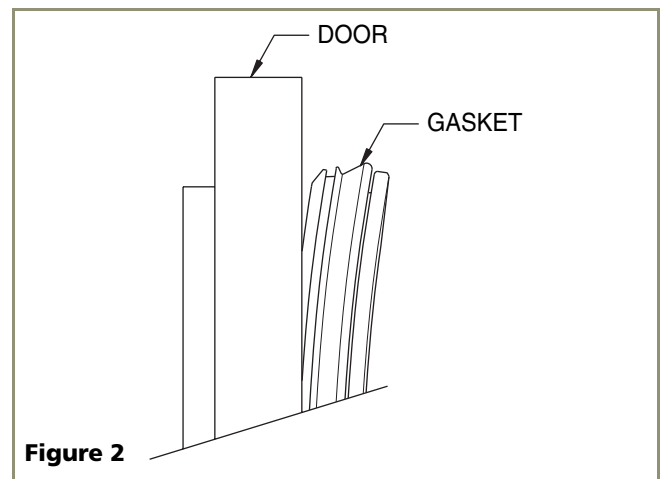


Figure 2

3. Place gasket on a flat, clean surface.

Checking Overlay Fit

CAUTION

If panel does not seat properly, determine the cause of the problem by reviewing the Preparation Instructions P/N 30139.

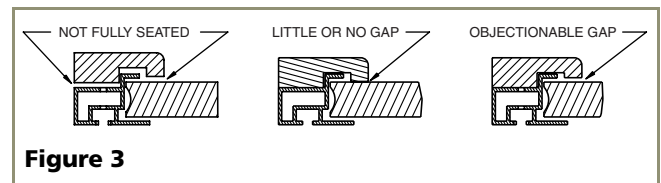


Figure 3

1. Lay overlay panel on front side of door. Make sure panel is fully seated on all four sides.
2. Visually check for gap between panel and glass. If there is an objectionable gap, continue to **Applying Foam Tape to Overlay**.
3. If there is little or no gap between panel and glass, continue to **Attaching the Overlay Panel**.

Applying Foam Tape to Overlay (If Required)

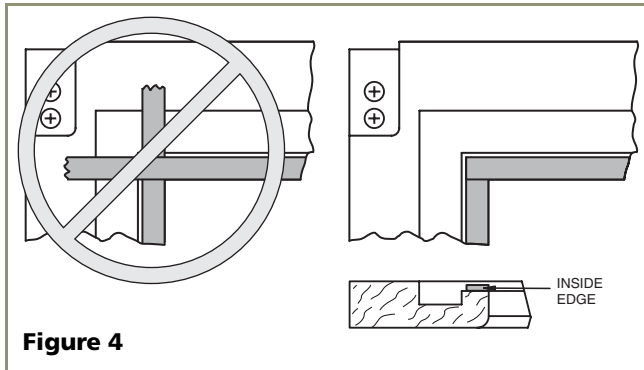


Figure 4

1. Cut the foam tape into four pieces, two pieces the width of the overlay and two pieces the height of the overlay.
2. Remove the adhesive protection strip from one piece of the cut foam tape and align the edge of the foam tape to the inside edge of the overlay as shown, adhering the foam tape to the overlay.
3. Trim each piece of tape immediately after applying it to the overlay. Do not allow any overlapping of the foam tape. Damage to the overlay can occur if the foam tape is not trimmed correctly.

Attaching the Overlay Panel

1. Tap nylon inserts into the top holes drilled in the wood panel. Use two #6 screws (P/N 42122) to attach top pivot bracket (P/N 12029) to the wood door panel (Figure 5).

NOTE: Carefully insert 8mm plugs into wood. Cracking can occur if holes are not drilled to correct size, or if plugs are inserted crooked.

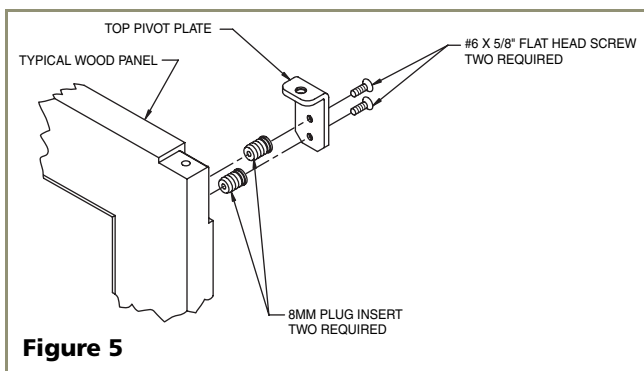


Figure 5

2. If required, attach optional cabinet handle hardware to the wood door panel at this time. If an optional cabinet handle is installed, make sure the mounting screw heads are below (countersunk) the back surface of the overlay.

Attaching the Overlay to the Door

1. Secure existing door with the front of the door to the back of the overlay using tape, on all four corners as shown (Figure 6). Make sure all four edges are aligned.

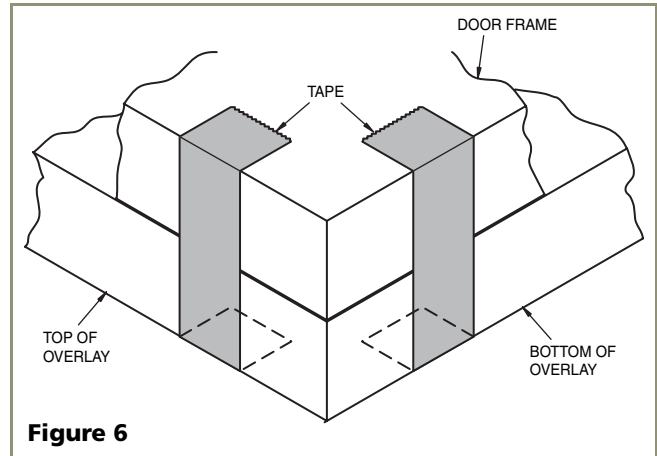


Figure 6

2. Place door and overlay on a clean, flat, protective surface. Use the door frame holes as a guide to lightly punch pilot holes for the #6 x 1" pan-head screws (Figure 7).

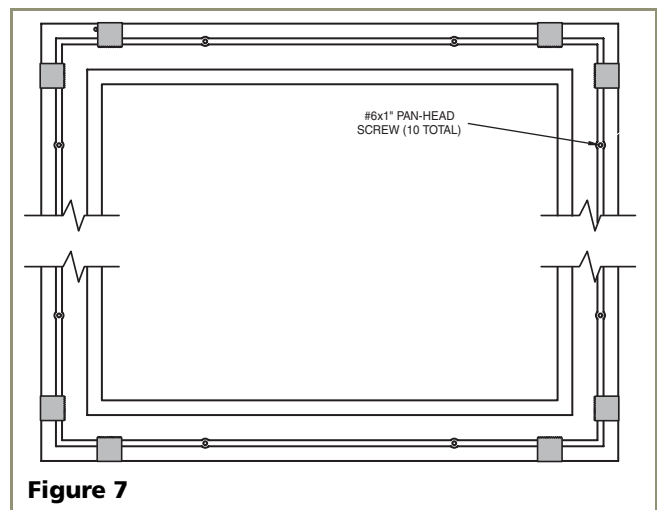


Figure 7

3. Attach the door to the overlay using the #6 x 1" wood screws (model 2175 shown).

IMPORTANT

If you decide to drill the pilot holes, remove the door and do not use a drill bit larger than 7/64", and do not drill deeper than 3/8". Frame and door overlay must be aligned properly or the door will not operate correctly.

NOTE: The door frame is designed with a slight amount of "play" to square the frame to the overlay panel.

Echelon Series

Assembling the Door

Starting at the corners and working toward the center, push the door gasket back into place. Make sure gasket is fully seated on all four sides.

NOTE: Door hinges are attached to unit for right-hand swing. Refer to your user manual for instructions to reverse. (Be sure to also move the spacers with the hinges.)

Installing the Door

IMPORTANT

Pivot posts must be clean. Closers must also be clean and greased with petroleum jelly to ensure proper operation.

1. Install one of the pivot posts (P/N 42096) into bottom hinge (using Phillips screwdriver), making sure post is seated fully.
2. Remove pre-greased closure assembly (male closer P/N 31672 and female closer P/N 31673) from poly bag (P/N 37015) and slide over bottom pivot post, making sure that bosses align with holes in hinge and that assembly is fully seated (**Figure 8**).

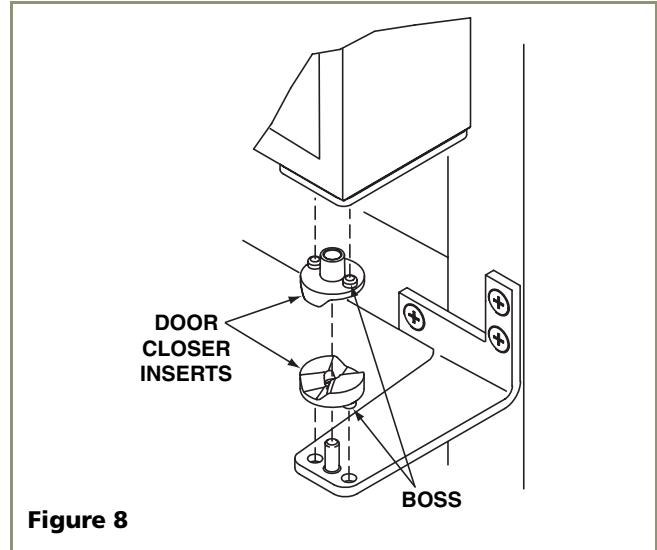


Figure 8

3. Position door over door closer. Be sure the door hinge plate holes align with the bosses on the closer (**Figure 8**). Failure to do this will result in the door not aligning properly.
4. Holding the door in the closed position, install the other pivot post (P/N 42096) through the top hinge (using a Phillips screwdriver) into the top pivot plate, making sure post is seated fully.
5. Adjust door as needed for proper closure. Refer to user manual for door adjustment procedures.

For more than four decades, U-Line has distinguished itself as the leader in built-in undercounter ice making, refrigeration and wine storage appliances.

Echelon™ SERIES / *Origin* x SERIES

U-Line Corporation, located in Milwaukee, WI, is a family operated manufacturer of built-in undercounter icemakers, Combo® icemaker/refrigerators, Wine Captain® wine storage units, refrigerators, refrigerated drawers and refrigerator/freezers.