



Stainless

## SS98

### FEATURES

#### PERFORMANCE

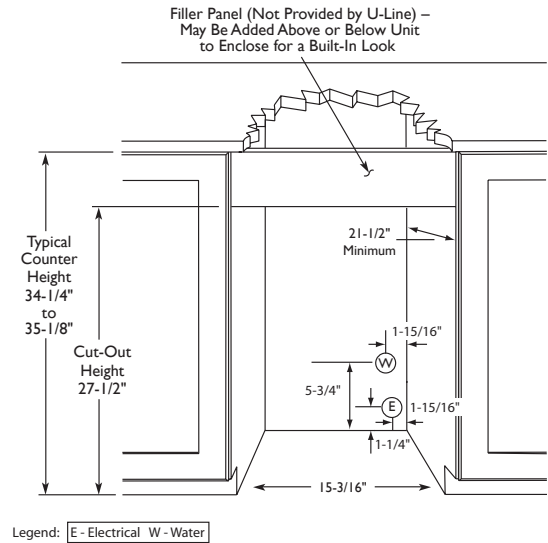
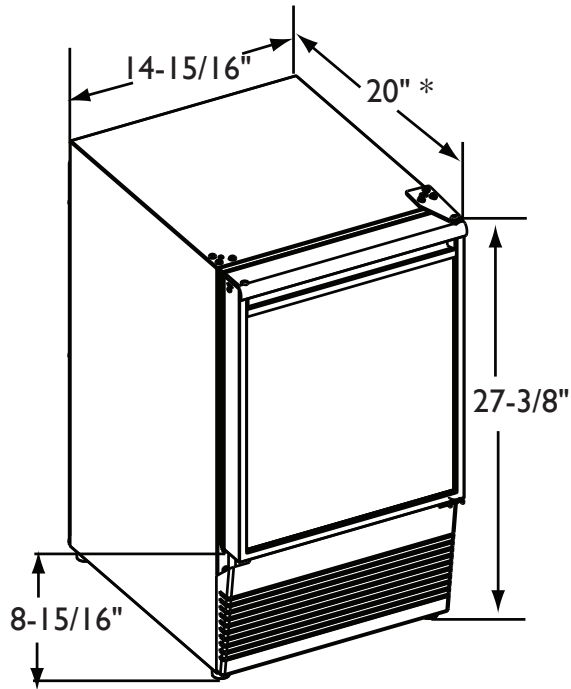
- High output daily ice rate of up to 25 lbs and storage of up to 25 lbs of crescent ice (1/2" W x 3/4" H x 2-1/2" L)
- Conserves energy by using less electricity than a 75-watt light bulb
- Uses under 3 gallons of water to produce 25 lbs of ice
- No drain required makes it easy and inexpensive to install and requires only a 1/4" outside diameter water line
- Manual defrost maximizes ice making potential
- 220 volt model available with a 4 – 6 week order lead time

#### INTERIOR / EXTERIOR

- Stainless steel cabinet helps withstand tough marine environments
- Corrosion resistant marine grade hardware provide better product longevity in harsh environments
- Aluminum framed door with stainless steel panel and durable aluminum handle weathers outdoor elements
- Travel pin included for optimized, hygienic and safe at-sea travel and storage

#### INTEGRATION

- Can be built-in or freestanding
- Field reversible door with zero clearance door swing simplifies installation
- Will accept a 1/4" insert panel
- No additional clearance around sides, top or rear of unit is needed for ventilation
- Sleek and contemporary look provides a very clean, high-end aesthetic
- Do not obstruct front grille air flow
- For proper installation and cut-out dimensions, see backside for details



**SS98 Stainless Model**

\* Add 1-1/2" for water line clearance

**DIMENSIONS AND SPECIFICATIONS**

**OVERALL DIMENSIONS**

|        |                  |
|--------|------------------|
| Height | 27-3/8" (67.6)   |
| Width  | 14-15/16" (37.8) |
| Depth  | 20" (50.8)       |

**Shipping weight:**

|                        |                  |
|------------------------|------------------|
| Black and white models | 76 lbs (34.5 kg) |
|------------------------|------------------|

|                                  |                     |
|----------------------------------|---------------------|
| Running amps                     | 2.5                 |
| Maximum start-up amps            | 18.0                |
| Amps pertain to voltage rating   | 110/115 volt, 60 Hz |
| Approximate daily ice production | Up to 25 lbs        |
| Ice storage                      | Up to 25 lbs        |

Optional in 220/230 voltage, 50/60 Hz  
 On the 220/230 volt models, amps are decreased by approximately 50 percent.

| SS98           |             |
|----------------|-------------|
| Stainless 110V | ULN-SS98-03 |
| Stainless 220V | ULN-SS98-20 |

Please visit [www.u-line.com](http://www.u-line.com) for installation guide.

All specifications are subject to change without notice.