



Stainless

Black



White

Overlay

2175RF

6444#W VM W

FEATURES

PERFORMANCE

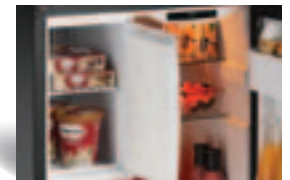
- 4.2 cubic feet overall refrigerator capacity and 1.5 cubic feet overall freezer capacity maximizes storage
- Touch glass digital control featuring easy view command center manages key functions and provides user alerts such as an audible door open alarm
- Digital controlled single-zone convection cooling system provides a stable and consistent environment for optimum food and beverage storage
- Temperature setting from 34 to 45° F provides flexibility for preserving a wide variety of items
- Sabbath / Blackout mode turns off all lighting, controls display and automatically resets after 36 hours
- Patented frost-free technology
- UL residential listing

INTERIOR / EXTERIOR

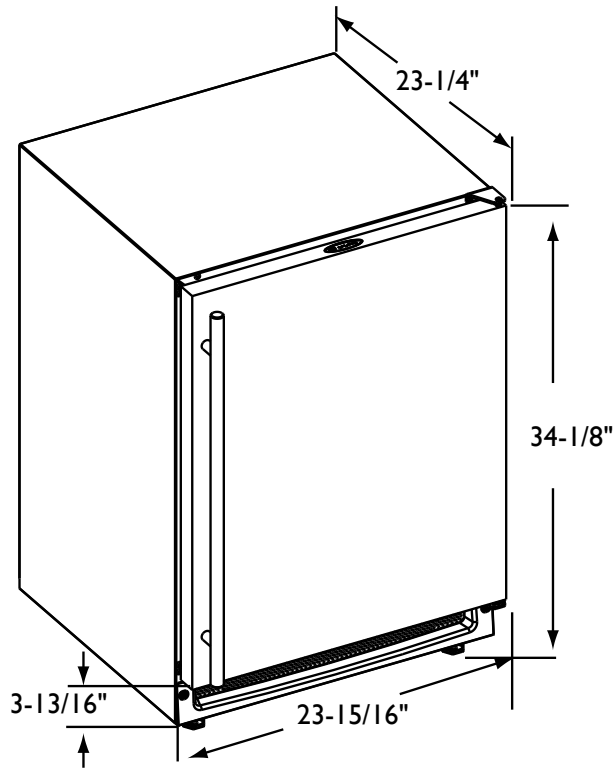
- Lighted white interior allows for easy viewing of contents
- Three tempered glass shelves with bullnose edge to maximize storage potential
- Convenient crisper drawer for proper storage and humidity control of perishable items
- Two in-door storage bins provide easy access and storage flexibility
- Standard commercial stainless steel handle is interchangeable with professional handle option on stainless steel model
- Full wrap stainless door on stainless model must be ordered right or left hand hinged
- Black, white and overlay door is field reversible
- Vinyl clad textured cabinet is more resistant to scratching, peeling and flaking

INTEGRATION

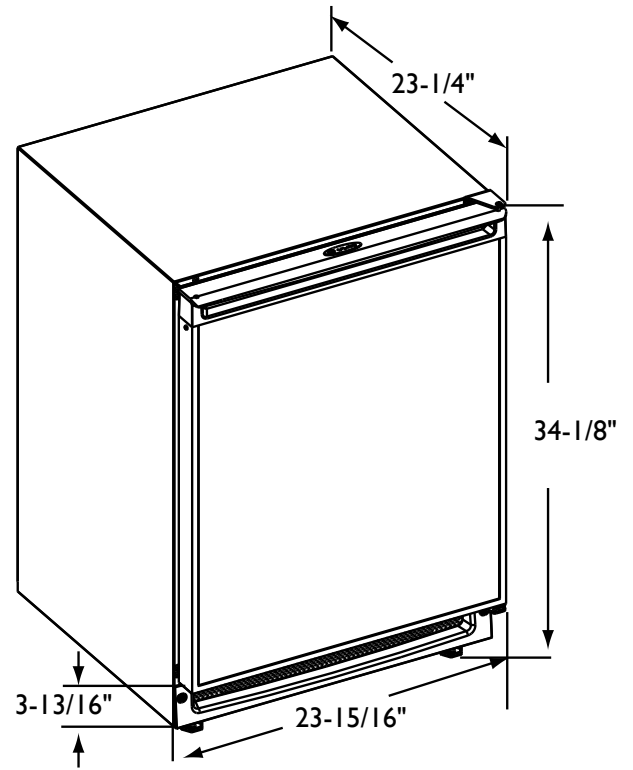
- Unit can be built-in or freestanding providing a custom aesthetic
- Black and white models will accept a 1/4" insert panel to match with surrounding decor
- Optional full 3/4" overlay panel on black and white models requires purchase of overlay kit PN: U-OL2175 and can be fully integrated into all styles of cabinetry
- Allow a 2-1/2" clearance on hinged side for 90° door opening when installed adjacent to a wall (for stainless steel model)
- Allow 1/4" width overall for proper installation (see backside for details)
- No additional clearance around sides, top or rear of unit is needed for ventilation
- Durable, factory installed level legs provide a more precise undercounter fit
- Do not obstruct front grille air flow



The Combo® Models bring together abundant ice supply with generous refrigeration capacity in the convenience of one unit.



2175RFS Stainless Model



2175RFB Black Model and
2175RFW White Model

DIMENSIONS AND SPECIFICATIONS

OVERALL DIMENSIONS

Height	34-1/8" (86.6)
Width	23-15/16" (60.8)
Depth	23-1/4" (59.0)
With stainless steel handle	24-15/16" (63.3)

Shipping Weight:

Black and white models	130 lbs (59 kg)
Stainless model	124 lbs (56 kg)

Running amps	2.5
Maximum start-up amps	6.5
Amps pertain to voltage rating	110/115 volt, 60 Hz

Capacities:

Defrost technology	Frost-free
Refrigerator volume	4.2 Cu. Ft
Freezer volume	1.5 Cu. Ft
Approximate daily ice production	N/A
Ice Storage	N/A

Please visit www.u-line.com for installation guide.

All specifications are subject to change without notice.

2175RF	
Stainless Right-hand	U-2175RFS-00
Stainless Left-hand	U-2175RFS-00
Black	U-2175RFB-00
White	U-2175RFW-00
Overlay	U-2175RFB-00 with Overlay kit U-OL2175B

