



Stainless



Black



Overlay

2275DWRC

2000 SERIES

FEATURES

PERFORMANCE

- 5.3 cubic feet overall capacity maximizes storage
- Touch glass digital control featuring easy view command center manages key functions and provides user alerts such as an audible drawer open alarm
- Digital controlled convection cooling system provides a stable and consistent environment for optimum food and beverage storage
- Temperature setting from 34 to 45° F
- Sabbath / Blackout mode turns off all lighting, controls display and automatically resets after 36 hours
- Automatic defrost
- ENERGY STAR® / CEE Tier 2 rated
- UL residential and commercial listings

INTERIOR / EXTERIOR

- Lighted stainless steel drawer interior optimizes easy viewing of contents
- Clear organizing bin in top drawer holds wine, 2-liter bottles and other items and slides back and forth for access to items beneath
- Optional slide & divide organizing system must be ordered separately PN: U-26013
- Convenient crisper drawer for proper storage and humidity control of perishable items can be completely removed for storage of taller items
- Black vinyl clad textured cabinet is more resistant to scratching, peeling and flaking

INTEGRATION

- Due to the full extension of drawers, anchoring device included and required for all installations
- Overlay can be converted to a black model with purchase of a black handle kit P/N: 26070-01
- Overlay model accepts a full 3/4" overlay panel and can be fully integrated into all styles of cabinetry
- Allow 1/4" width overall for proper installation (see backside for details)
- No additional clearance around sides, top or rear of unit is needed for ventilation
- Durable, factory installed level legs provide a more precise undercounter fit
- Do not obstruct front grille air flow

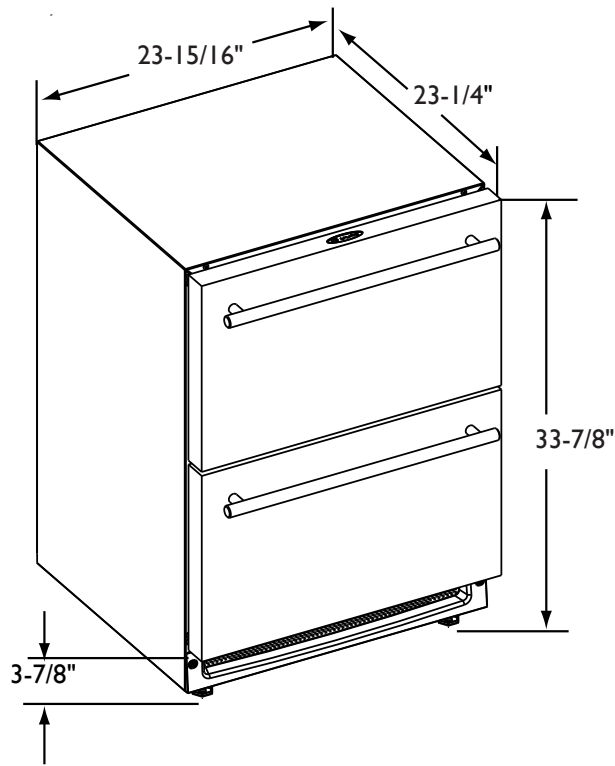


Single Zone
Convection Cooling
System featured in
2275DWRC.

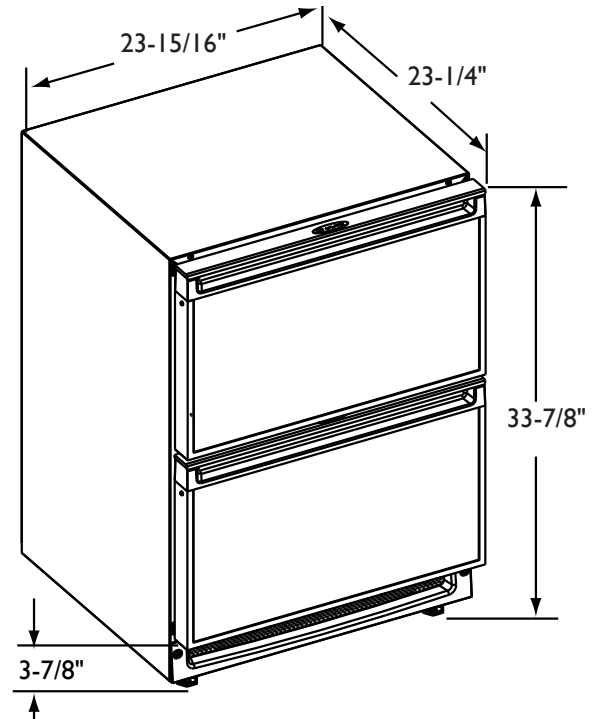


2275DWRC – Clear top organizer bin accommodates food, wine and two-liter bottles within easy reach while the optional slide and divide organizer adjusts to keep items in place.

*To obtain a black model with a black handle, black integrated kit #26070-01-5 must be ordered.



2275DWRCSS Stainless Model



2275DWRCOL Overlay Model

DIMENSIONS AND SPECIFICATIONS

OVERALL DIMENSIONS

Height	33-7/8" (86.0)
Width	23-15/16" (60.8)
Depth	23-1/4" (59.0)
With stainless steel handle	25-1/8" (63.8)

Shipping weight:

Black and overlay models	152 lbs (69 kg)
Stainless model	159 lbs (72 kg)

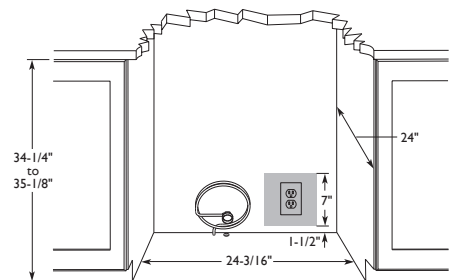
Running amps	2.4
Maximum start-up amps	6.5
Amps pertain to voltage rating	110/115 volt, 60 Hz
ENERGY STAR® and CEE Tier 2 Rated	

Capacities:

Refrigerator volume	5.3 Cu. Ft
---------------------	------------

2275DWRC

Stainless	U-2275DWRCSS-00
Black	U-2275DWROL-00 with Black Integrated handle 26070-01-S
Overlay	U-2275DWRCOL-00



Please visit www.u-line.com for installation guide.

All specifications are subject to change without notice.

