



Stainless

Overlay

## 3018RF

**3000 SERIES**

### FEATURES

**PERFORMANCE**

- U-Select™ Control: Integrated OLED display with intuitive user interface ergonomically located on top of door
- Digitally controlled convection cooling system
- Refrigeration capacity of 3.4 cubic feet
- ENERGY STAR® and CEE Tier 3 rated
- U-Select™ Control provides 4 distinct settings designed to provide precise refrigeration and maximize preservation
- Default temperature settings of Deli Mode: 36° F, Market Mode: 38° F, Pantry Mode: 42° F, Root Cellar Mode: 50° F
- Zone settings are designed to help produce last longer and taste better



Deli mode has a temperature range between 34° and 40° F with a set point at 36° F.

**INTERIOR / EXTERIOR**

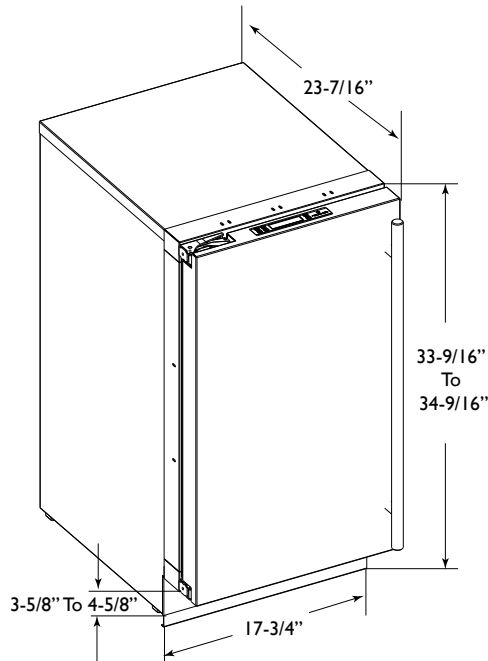
- Three full-extension, slide-out drawer bins provide quick, easy access and viewing of all items stored
- Lower drawer bins fit one-gallon containers and two-liter bottles with additional space for more storage
- All drawer bins are removable for easy cleaning and are designed to maximize various types of storage
- Black interior with LED theater lighting located on side interior provides excellent lighting to all bins

**INTEGRATION**

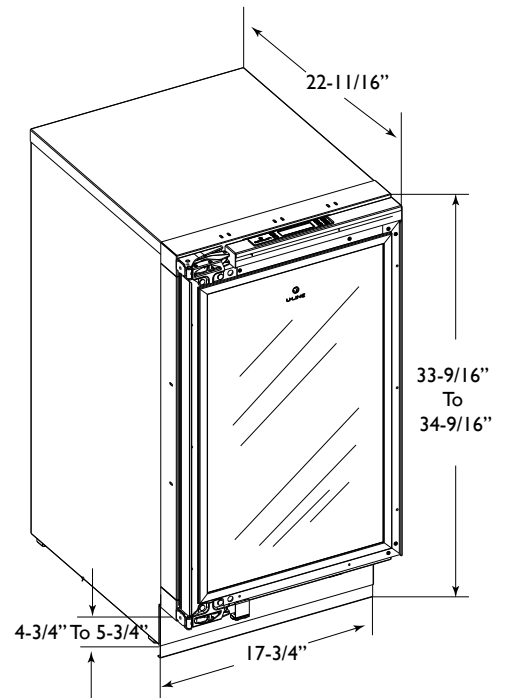
- Standard commercial stainless steel handle is interchangeable with professional handle option
- Adjustable toe-kick - front to back and up and down allows for seamless installation
- Front adjustable rear leveling legs greatly eases installation
- Allow a 2-1/2" clearance on hinged side for 90° door opening when installed adjacent to a wall (for stainless steel model)
- Allow 1/4" width overall for proper installation (see backside for details)
- No additional clearance around sides, top or rear of unit is needed for ventilation



Single Zone Convection Cooling System featured in 3018RF



3018RFS Stainless Model



3018RFOL Overlay Model

## DIMENSIONS AND SPECIFICATIONS

### OVERALL DIMENSIONS

Height	33-9/16" (85.2)
Width	17-3/4" (45)
Depth	23-7/16" (60)
With stainless steel handle	25-5/16" (64.3)

### Shipping weight:

Overlay Model	116 lbs (52.6 kg)
Stainless Model	124 lbs (56.2 kg)

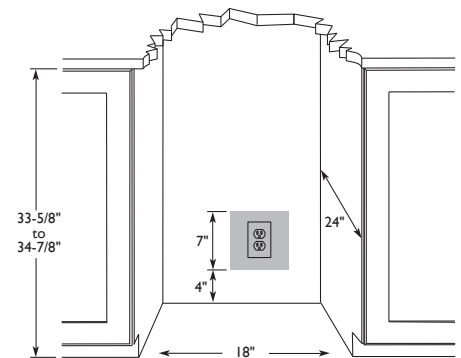
Running amps	2.4
Amps pertain to voltage rating	110/115 volt, 60 Hz
ENERGY STAR® and CEE Tier 3 Rated	

### Capacities:

Refrigerator volume	3.4 Cu Ft
---------------------	-----------

### 3018RFS

Stainless Right-hand	U-3018RFS-00
Stainless Left-hand	U-3018RFS-01
Overlay Right-hand	U-3018RFOL-00
Overlay Left-hand	U-3018RFOL-01



Please visit [www.u-line.com](http://www.u-line.com) for installation guide.

All specifications are subject to change without notice.