



Black



White

CO29F

E HE #W VM W

FEATURES

PERFORMANCE

- 2.1 cubic feet overall refrigerator capacity maximizes storage
- Daily ice rate of up to 8 lbs and storage of up to 13 lbs of crescent ice cubes (1/2"W x 3/4"H x 2-1/2"L)
- No drain required, easy and inexpensive to install and requires only a 1/4" outside diameter water line
- Uses less than one gallon of water to produce 8 lbs of ice
- Mechanical dial controlled passive cooling system provides a stable and consistent environment for optimum food and beverage storage
- Temperature setting from 34 to 45° F provides flexibility for preserving a wide variety of items
- Patented frost-free technology
- UL residential listing

INTERIOR / EXTERIOR

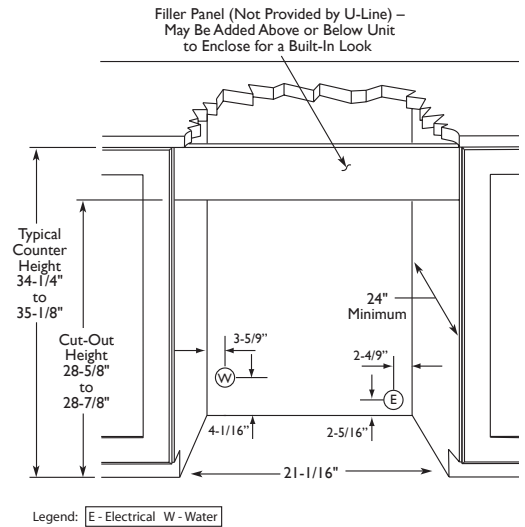
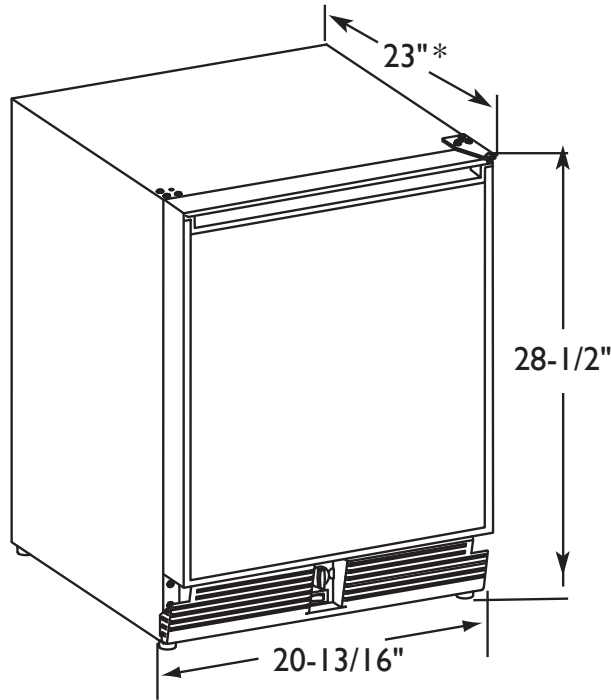
- 28-1/2" height meets ADA height requirement yet maximizes allowable space
- Two tempered glass shelves with bullnose edge to maximize storage potential
- Two in-door storage bins provide easy access and storage flexibility
- Door is field reversible
- Vinyl clad textured cabinet is more resistant to scratching, peeling and flaking

INTEGRATION

- Unit can be built-in or freestanding providing a custom aesthetic
- Will accept a 1/4" insert panel to match with surrounding decor
- Allow 1/4" width overall for proper installation (see backside for details)
- No additional clearance around sides, top or rear of unit is needed for ventilation
- Do not obstruct front grille air flow
- Product note: with left hand hinge installation, allow for 145° door swing to ensure easy removal of ice bin



The Combo® Models bring together abundant ice supply with generous refrigeration capacity in the convenience of one unit.



CO29FFB Black Model and CO29FFW White Model

* Add 15/16" to depth for water line clearance

DIMENSIONS AND SPECIFICATIONS

OVERALL DIMENSIONS

Height	28-1/2" (72.4)
Width	20-13/16" (52.9)
Depth	23" (58.4)

Shipping Weight: 104 lbs (47 kg)

Running amps	2.5
Maximum start-up amps	18.0
Amps pertain to voltage rating	110/115 volt, 60 Hz
Optional in 220/230 voltage, 50/60 Hz	

Capacities:

Defrost technology	Frost-Free
Refrigerator volume	2.1 Cu. Ft
Approximate daily ice production	Up to 8 lbs
Ice Storage	Up to 13 lbs

*When installing a left-hand hinge model, allow a 145° door swing for proper removal of ice bin

CO29F

Black Frost-free	CO29FFB-00
White Frost-free	CO29FFW-00

Please visit www.u-line.com for installation guide.

All specifications are subject to change without notice.

