



*Echelon Series*

**Full Overlay Door Panel  
To Convert 2075, 2015 and CLR2060  
Panels for Use on the New  
2175, 2115, CLR2160 Models**

---

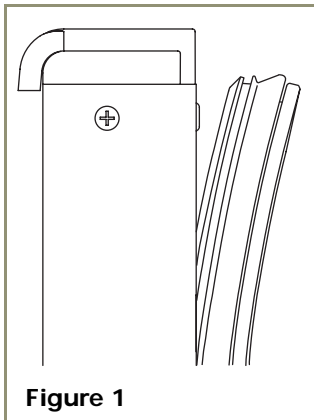
[www.U-LineService.com](http://www.U-LineService.com)

Phone (414) 354-0300 • FAX (414) 354-7905  
Service & Parts Tech Lines Phone (800) 779-2547 • FAX (414) 354-5696  
[OnlineService@U-Line.com](mailto:OnlineService@U-Line.com)

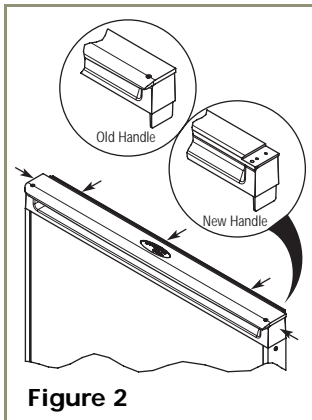
**Installation Instructions**

**Removing Existing Door**

1. Remove the door shelves by first pulling shelves up at a 45° angle, then straight out.
2. Remove top hinge screw pin (Phillips screwdriver). Remove the door by tilting forward and lifting off the bottom hinge pin.
3. Pull door gasket out of the groove (top edge of door only). Start in the middle and pull outward, moving toward the edge (see **Figure 1**). This may take some force.



**Figure 1**

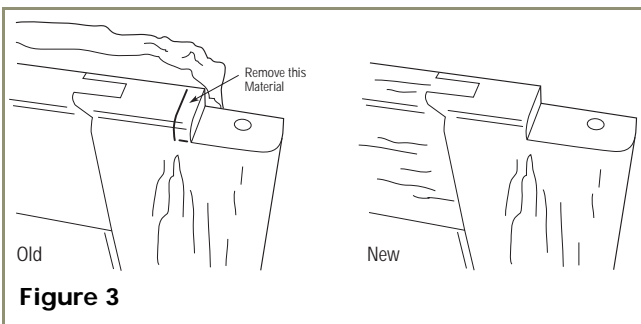


**Figure 2**

4. Remove the two screws located on both sides of the handle.
5. Remove the door panel from the door.
6. Discard the old door.

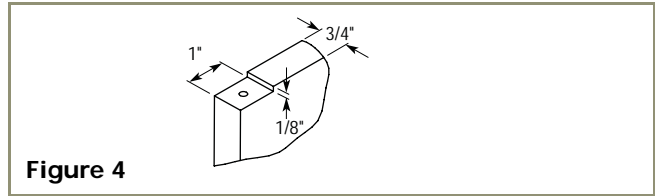
**Preparing the old panel for the new door:**

1. Remove the existing metal panel backer.
2. Remove the existing L-shaped angle bracket in the top corner.
3. Modify the notch in the top corner of the door. The width needs to be changed to 1" (see **Figure 3**).



**Figure 3**

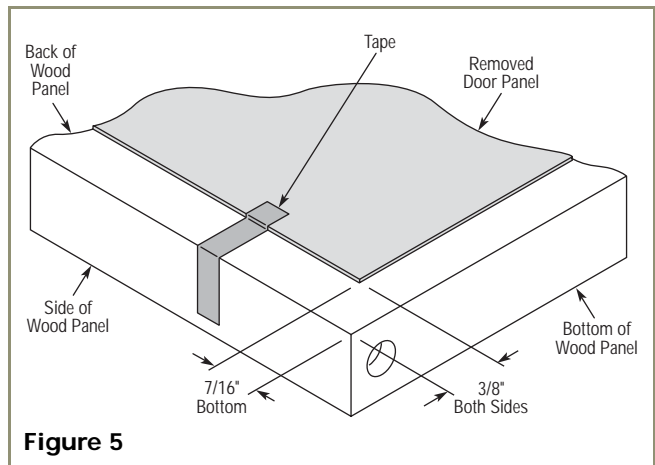
4. Create an identical notch in the bottom corner of the door, directly under this notch - 1" wide by 1/8" high by 3/4" deep (see **Figure 4**).



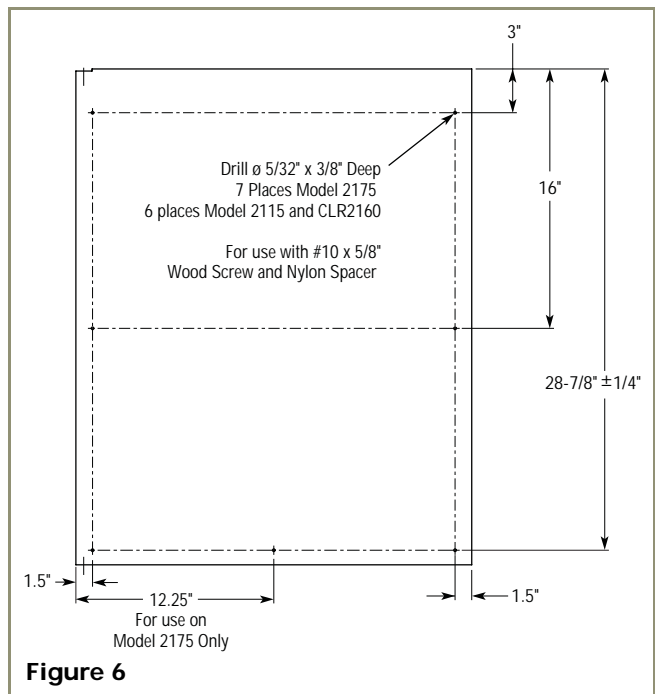
**Figure 4**

**Attaching the Full Overlay Panel**

1. Place and tape the existing door panel on the back of the overlay panel (see **Figure 5**) and drill holes through both panels according to **Figure 6**. Remove tape adjoining the panels and enlarge the six holes in the overlay panel using a 0.201" (#7) drill.
2. If a user-supplied cabinet handle will be used, attach its hardware to the overlay panel at this time.



**Figure 5**

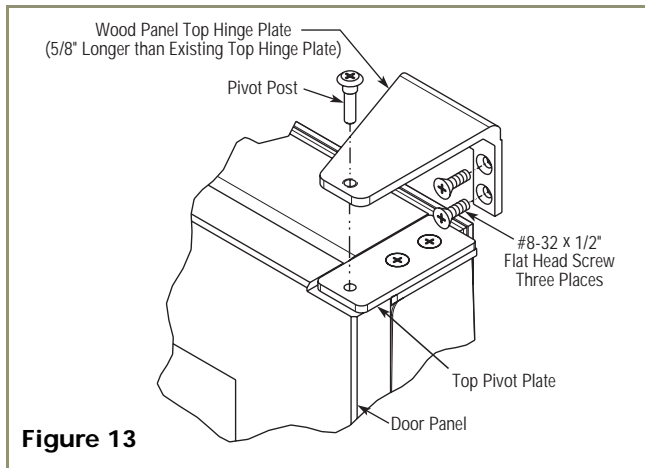


**Figure 6**



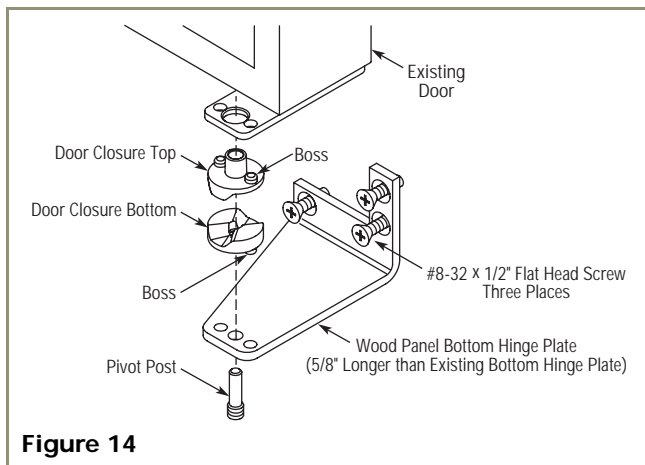
### Installing the Door

1. If the cabinet already used an overlay door, there is no need to change the hinges.
2. Install the new Replacement Top Hinge onto the unit (see **Figure 13**).



**Figure 13**

3. Install the pivot post into the new Replacement Bottom Hinge (using the Phillips screwdriver) and install the hinge onto the unit.
4. Replace the door closure assembly onto the bottom pivot post (see **Figure 14**). Be sure that bosses on closers align with holes in hinge and hinge plate.



**Figure 14**

### IMPORTANT

Pivot posts must be cleaned. Closers must also be clean and greased to ensure proper operation.

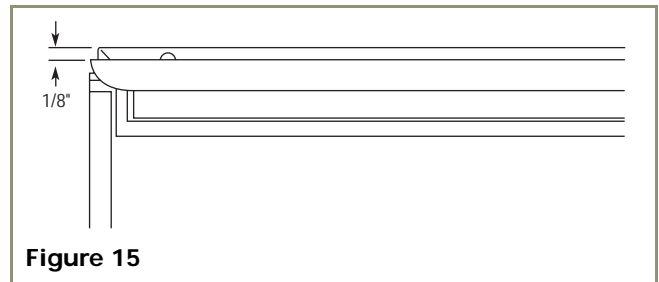
5. Place the modified door onto the pivot post.
6. Position door and install the pivot post into the top hinge (using the Phillips screwdriver).
7. Adjust door as needed for proper closure.
8. Check to see that light goes off when the door closes.
9. Reinstall the door shelves by lining up the bosses and first pushing straight in, then down at a 45° angle.

### Checking Door Alignment

The unit's door is aligned at the factory before shipment. However, its alignment could have been disturbed during shipment or during door panel installation.

### IMPORTANT

Properly aligned, the door should be 1/8" below the top of the unit's cabinet, NOT flush with the top (see **Figure 15**).



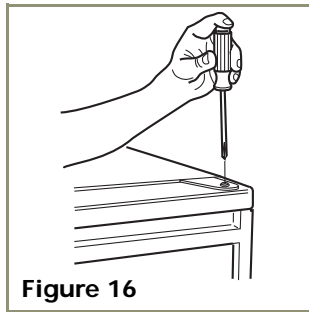
**Figure 15**

1. Compare the top edge of the door to the top edge of the cabinet.
2. If the door edge is 1/8" below and parallel to the top of the cabinet, the door is aligned. If it is not, note whether the side opposite the hinge needs to be moved UP or DOWN, and use the following procedure.

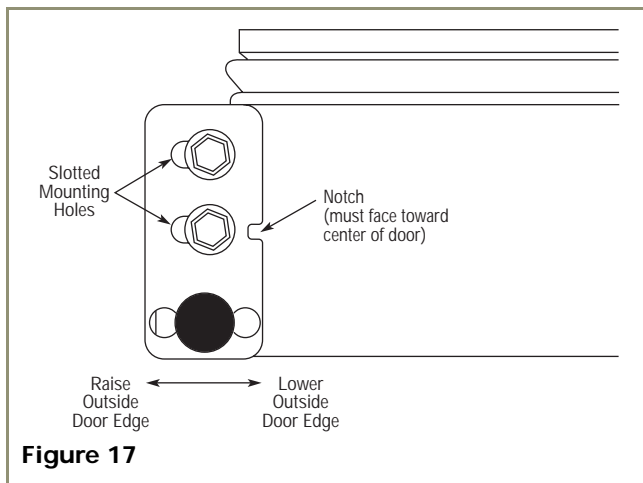
*Note:* If door is adjusted correctly, but panel is not square with the adjacent cabinets, slight adjustments can be made by drilling the holes in the vinyl coated steel panel slightly oversized. See **Figure 6** on **Page 2**.

## Adjusting Door Alignment

1. Remove top hinge screw pin (Phillips screwdriver, see **Figure 16**). Remove door by tilting forward and lifting off bottom hinge pin.
2. With door upside-down, loosen but do not remove the two screws on the door's bottom hinge plate.

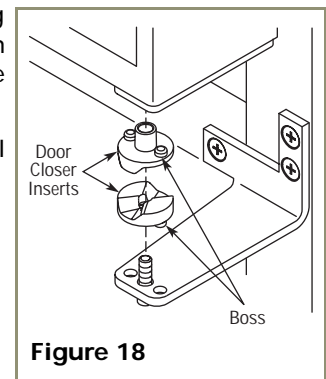


**Figure 16**



**Figure 17**

3. See **Figure 17**. If the top far edge of the door needs to move UP, move the hinge plate toward the outside of the door and retighten screws. If the top far edge of the door needs to move DOWN, move the hinge plate toward the inside of the door and retighten screws.
4. Mount the door to recheck alignment and repeat Steps 2 and 3 if further adjustment is necessary.
5. When top edge of door is parallel to top edge of cabinet, remove the door and ensure the two screws are secure.
6. Remove the door closers from the bottom hinge, clean thoroughly and lubricate the mating surfaces with petroleum jelly.
7. Reinstall the closers, lining up the bosses with holes in hinge and hinge plate (see **Figure 18**).
8. Mount the door and install top hinge pivot pin.



**Figure 18**

## *Echelon Series*

### **Who to Call**

### **Service Information**

If the need for service arises, contact the dealer from whom the unit was purchased. State the Model Number and Serial Number and explain the problem. The Model and Serial Number plate is located inside unit at upper right hand corner.

If you need to locate a service company, you can go online at **[www.U-LineService.com](http://www.U-LineService.com)** and search for a service company by zip code.