

**1024BEV • 24" Beverage Center • 1000 Series**

**FEATURES & BENEFITS**



STAINLESS FRAME

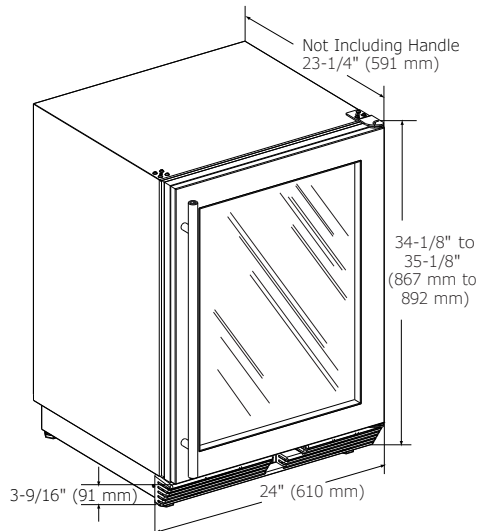
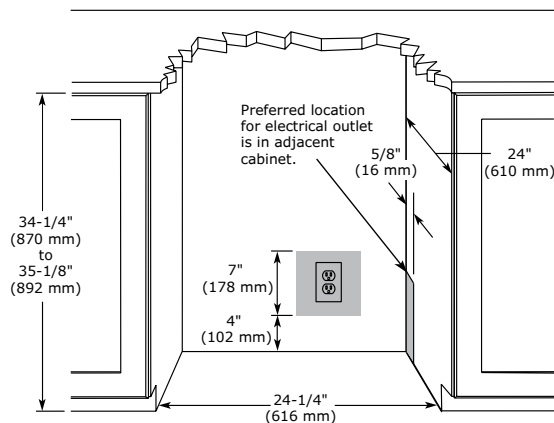
<b>PERFORMANCE</b>	<ul style="list-style-type: none"> <li>• Overall volume of 5.4 cu ft holds up to 85 bottles (12 oz) or 105 cans (12 oz) and 16 wine bottles (750 ml)</li> <li>• Mechanical Dial Control is conveniently located on the grille</li> <li>• Temperature range: 34°F - 45°F</li> <li>• Passive cooling system</li> </ul>
<b>INTERIOR/EXTERIOR</b>	<ul style="list-style-type: none"> <li>• White interior is illuminated with recessed incandescent lighting that automatically turns off when the door is closed</li> <li>• Three-quarter extension zinc coated wine racks allow for easy access</li> <li>• Wine racks accommodate a variety of bottle shapes and sizes</li> <li>• Two removable tempered glass shelves</li> <li>• LowE coated, argon gas filled thermopane glass door provides protection from harmful UV light</li> <li>• Standard commercial stainless steel handle is interchangeable with professional handle accessory</li> <li>• Door swing is field reversible</li> </ul>
<b>INTEGRATION</b>	<ul style="list-style-type: none"> <li>• Unit is designed to be built-in or can be freestanding with the freestanding accessory kit</li> <li>• Solid natural beech wood fronts on wine racks can easily be stained to match surrounding cabinetry</li> <li>• Four independently adjustable levelling legs provide a precise undercounter fit</li> </ul>

**MODEL DETAILS**

Model	Voltage/Hz	Door Swing	Finish	Shipping Weight
U-1024BEVS-00A	115 / 60	Field Reversible Door	Stainless Frame	126 lbs

**ACCESSORIES**

Model	Description	Finish	Shipping Weight
23074	Professional Door Handle, 1 1/4" Diameter	Stainless	2 lbs
23073	Commercial Door Handle, 7/8" Diameter	Stainless	2 lbs
U-FSK-B	Freestanding Kit	Black	3 lbs

**1000 Series • 24" Beverage Center • 1024BEV**
**DIMENSIONS**

**CABINET CUT-OUT**

**INSTALLATION NOTES**

When installing adjacent to wall, ensure 2 1/2" clearance on hinged side for 90° door opening, allowing ample room for door handle.

Cutout includes the additional 1/4" width overall to ensure proper installation.

No additional clearance around sides, top or rear of unit is needed for ventilation.

Do not obstruct front grille air flow.

**SPECIFICATIONS**

Model	1024BEV
Amps: Running	1.2
Capacity: Bottle (12 oz)	85
Capacity: Can (12 oz)	105
Capacity: Volume (cu ft)	5.4
Capacity: Wine Bottle (750 ml)	16
Control Type	Mechanical Dial
Dimensions: Product Depth	23 1/4" / 591 mm
Dimensions: Product Height	34 1/8" / 867 mm
Dimensions: Product Width	24" / 610 mm
Energy Consumption: Avg. Per Year	305 kWh
ENERGY STAR	No
Product Weight: Max	116 lbs
Refrigerant Type	R600a
Sabbath (Star K Certified)	No
Temperature Range	34°F - 45°F

**COOLING SYSTEM**

**ELECTRICAL REQUIREMENTS**

This unit requires a grounded a polarized 115 VAC, 60 Hz, 15 A power supply (normal household current).



Residential