

1024BEV • 24" Beverage Center • 1000 Series

FEATURES & BENEFITS



STAINLESS
FRAME

PERFORMANCE	<ul style="list-style-type: none"> • Overall volume of 5.4 cu ft holds up to 85 bottles (12 oz) or 105 cans (12 oz) and 16 wine bottles (750 ml) • Mechanical Dial Control is conveniently located on the grille • Approximate temperature range: 34°F - 45°F • Passive cooling system
INTERIOR/EXTERIOR	<ul style="list-style-type: none"> • White interior is illuminated with recessed incandescent lighting that automatically turns off when the door is closed • Three-quarter extension zinc coated wine racks allow for easy access • Wine racks accommodate a variety of bottle shapes and sizes • Two adjustable tempered glass shelves • LowE coated, argon gas filled, dual thermopane glass door provides protection from harmful UV light • 7/8" diameter stainless steel handle • Door swing is field reversible, and is shipped right-hand hinged
INTEGRATION	<ul style="list-style-type: none"> • Unit is designed to be built-in or can be freestanding with the freestanding accessory kit • Solid natural beech wood fronts on wine racks can easily be stained to match surrounding cabinetry • Four independently adjustable levelling legs provide a precise undercounter fit

MODEL DETAILS

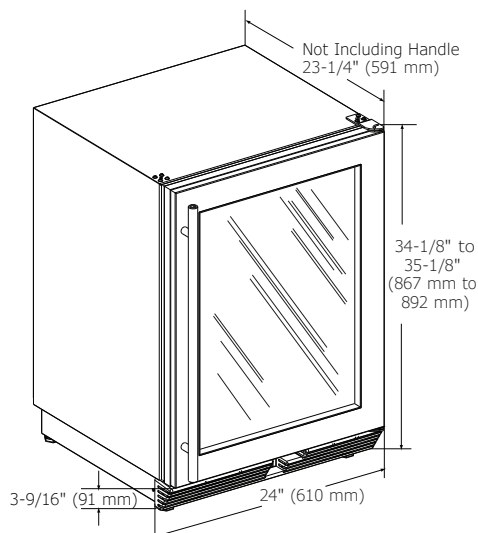
Model	Voltage/Hz	Door Swing	Finish	Shipping Weight
U-1024BEVS-00B	115 / 60	Field Reversible Door	Stainless Frame	126 lb

ACCESSORIES

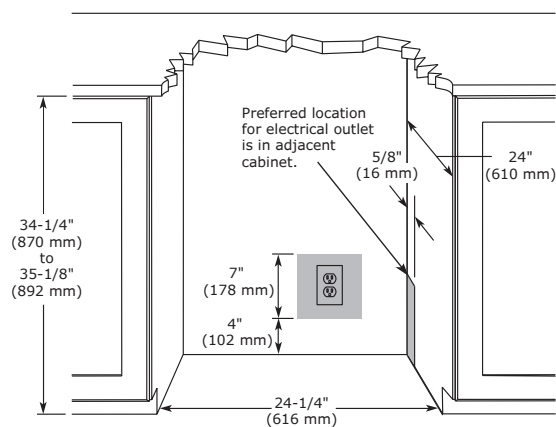
Model	Description	Finish	Shipping Weight
U-FSK-B	Freestanding Kit	Black	3 lb

1000 Series • 24" Beverage Center • **1024BEV**

DIMENSIONS



CABINET CUT-OUT



INSTALLATION NOTES

When installing adjacent to wall, ensure 2 1/2" clearance on hinged side for 90° door opening, allowing ample room for door handle.

Cutout includes the additional 1/4" width overall to ensure proper installation.

No additional clearance around sides, top or rear of unit is needed for ventilation.

Do not obstruct front grille air flow.

SPECIFICATIONS

Model	1024BEV
Amps: Running	1.2
Capacity: Bottle (12 oz)	85
Capacity: Can (12 oz)	105
Capacity: Volume (cu ft)	5.4
Capacity: Wine Bottle (750 ml)	16
Control Type	Mechanical Dial
Dimensions: Product Depth	23 1/4" / 591 mm
Dimensions: Product Height	34 1/8" / 867 mm
Dimensions: Product Width	24" / 610 mm
Energy Consumption: Avg. Per Year	305 kWh
ENERGY STAR	No
Product Weight: Max	116 lb
Refrigerant Type	R600a
Sabbath (Star K Certified)	No
Temperature Range	34°F - 45°F

COOLING SYSTEM



ELECTRICAL REQUIREMENTS

This unit requires a grounded, polarized 115 VAC, 60 Hz, 15 A power supply (normal household current).



Warranty

Please visit u-line.com to view this model's User Guide & Service Manual. All Specifications are subject to change without notice.