

**1024R • 24" Solid Door Refrigerator • 1000 Series**

**FEATURES & BENEFITS**



STAINLESS  
SOLID

<b>PERFORMANCE</b>	<ul style="list-style-type: none"> <li>• Volume of 5.4 cu ft holds up to 123 bottles (12 oz) or 185 cans (12 oz)</li> <li>• Mechanical Dial Control is conveniently located on the grille</li> <li>• Approximate temperature range: 34°F - 45°F</li> <li>• Passive Cooling System</li> </ul>
<b>INTERIOR/EXTERIOR</b>	<ul style="list-style-type: none"> <li>• White interior is illuminated with recessed incandescent lighting</li> <li>• Three removable tempered glass shelves</li> <li>• 7/8" diameter stainless steel handle</li> <li>• Door swing is field reversible, and is shipped right-hand hinged</li> </ul>
<b>INTEGRATION</b>	<ul style="list-style-type: none"> <li>• Unit is designed to be built-in or can be freestanding with the freestanding accessory kit</li> <li>• Four independently adjustable leveling legs provide a precise undercounter fit</li> </ul>

**MODEL DETAILS**

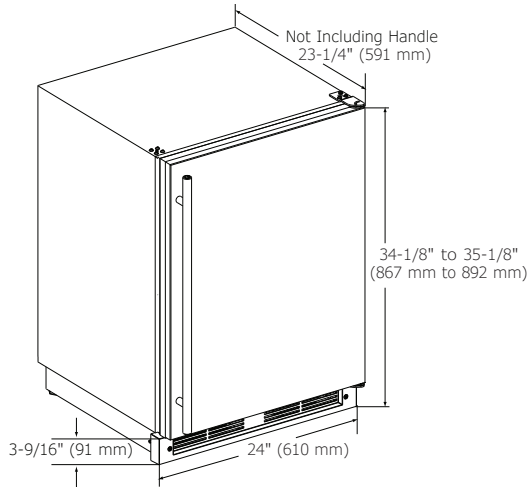
Model	Voltage/Hz	Door Swing	Finish	Shipping Weight
U-1024RS-00A	115 / 60	Field Reversible	Stainless Frame	109 lbs

**ACCESSORIES**

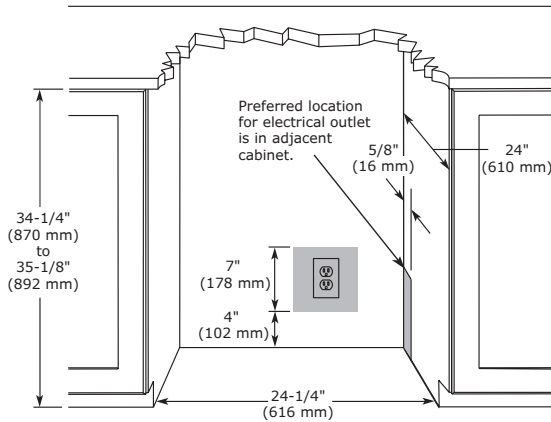
Model	Description	Finish	Shipping Weight
U-FSK-B	Freestanding Kit	Black	3 lb

1000 Series • 24" Solid Door Refrigerator • **1024R**

**DIMENSIONS**



**CABINET CUT-OUT**



**INSTALLATION NOTES**

When installing adjacent to wall, ensure 2 1/2" clearance on hinged side for 90° door opening, allowing ample room for door handle.

Cutout includes the additional 1/4" width overall to ensure proper installation.

No additional clearance around sides, top or rear of unit is needed for ventilation.

Do not obstruct front grille air flow.

**SPECIFICATIONS**

Model	1024R
Amps: Running	1.2
Capacity: Bottle (12 oz)	123
Capacity: Can (12 oz)	185
Capacity: Volume (cu ft)	5.4
Control Type	Mechanical Dial
Dimensions: Product Depth	23 1/4" / 591 mm
Dimensions: Product Height	34 1/8" / 867 mm
Dimensions: Product Width	24" / 610 mm
Energy Consumption: Avg. Per Year	240 kWh
ENERGY STAR	ENERGY STAR / Tier 3
Product Weight: Max	99 lbs
Refrigerant Type	R600a
Sabbath (Star K Certified)	No
Temperature Range	34°F - 45°F

**COOLING SYSTEM**



**ELECTRICAL REQUIREMENTS**

This unit requires a grounded, polarized 115 VAC, 60 Hz, 15 A power supply (normal household current).



Warranty

Please visit [u-line.com](http://u-line.com) to view this model's User Guide & Service Manual. All Specifications are subject to change without notice.