

**1024WC • 24" Wine Captain® Model • 1000 Series**

**FEATURES & BENEFITS**



STAINLESS  
FRAME

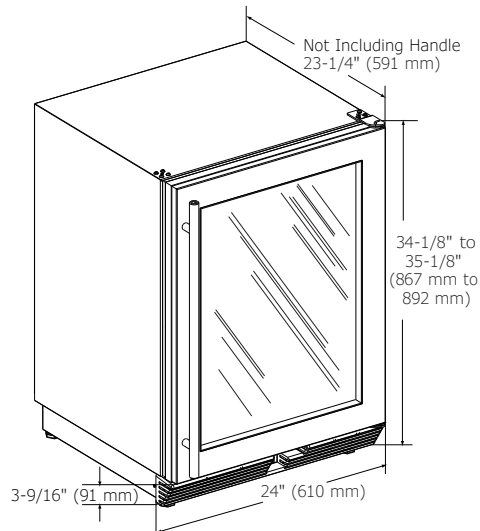
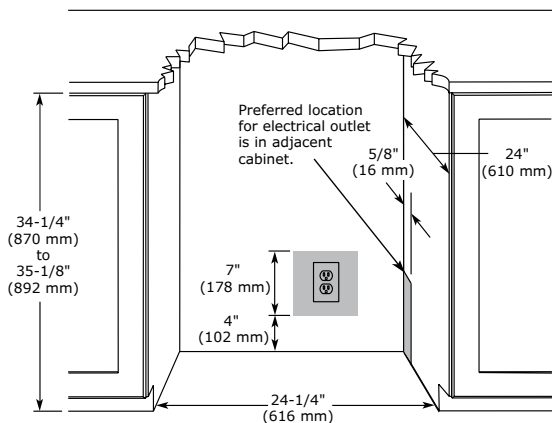
|                          |   |
|--------------------------|---|
| <b>PERFORMANCE</b>       | <ul style="list-style-type: none"> <li>• Volume of 5.2 cu ft holds up to 48 wine bottles (750 ml)</li> <li>• Mechanical Dial Control is conveniently located on the grille</li> <li>• Temperature range: 40°F - 60°F</li> <li>• Passive cooling system</li> <li>• Relative humidity inside the unit is approx. 50%</li> <li>• Rubber mounted compressor virtually eliminates vibration</li> </ul>   |
| <b>INTERIOR/EXTERIOR</b> | <ul style="list-style-type: none"> <li>• White interior is illuminated with recessed incandescent lighting that automatically turns off when the door is closed</li> <li>• Three-quarter extension zinc coated wine racks allow for easy access</li> <li>• Wine racks accommodate a variety of bottle shapes and sizes, while the fourth and fifth racks allow for larger diameter wine and champagne bottles</li> <li>• LowE coated, argon gas filled thermopane glass door provides protection from harmful UV light</li> <li>• Standard commercial stainless steel handle is interchangeable with professional handle accessory</li> <li>• Door swing is field reversible</li> </ul> |
| <b>INTEGRATION</b>       | <ul style="list-style-type: none"> <li>• Unit is designed to be built-in or can be freestanding with the freestanding accessory kit</li> <li>• Solid natural beech wood fronts on wine racks can easily be stained to match surrounding cabinetry</li> <li>• Four independently adjustable leveling legs provide a precise undercounter fit</li> </ul>  |

**MODEL DETAILS**

| Model         | Voltage/Hz | Door Swing       | Finish          | Shipping Weight |
|---------------|------------|------------------|-----------------|-----------------|
| U-1024WCS-00A | 115 / 60   | Field Reversible | Stainless Frame | 133 lbs         |

**ACCESSORIES**

| Model   | Description                               | Finish    | Shipping Weight |
|---------|---|-----------|-----------------|
| 23074   | Professional Door Handle, 1 1/4" Diameter | Stainless | 2 lbs           |
| 23073   | Commercial Door Handle, 7/8" Diameter     | Stainless | 2 lbs           |
| U-FSK-B | Freestanding Kit                          | Black     | 3 lbs           |

**1000 Series • 24" Wine Captain® Model • 1024WC**
**DIMENSIONS**

**CABINET CUT-OUT**

**INSTALLATION NOTES**

When installing adjacent to wall, ensure 2 1/2" clearance on hinged side for 90° door opening, allowing ample room for door handle.

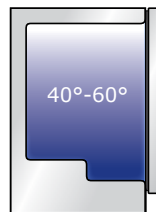
Cutout includes the additional 1/4" width overall to ensure proper installation.

No additional clearance around sides, top or rear of unit is needed for ventilation.

Do not obstruct front grille air flow.

**SPECIFICATIONS**

|                                   |                  |
|-----------------------------------|------------------|
| Model                             | 1024WC           |
| Amps: Running                     | 2.4              |
| Capacity: Volume (cu ft)          | 5.2              |
| Capacity: Wine Bottle (750 ml)    | 48               |
| Control Type                      | Mechanical Dial  |
| Dimensions: Product Depth         | 23 1/4" / 591 mm |
| Dimensions: Product Height        | 34 1/8" / 867 mm |
| Dimensions: Product Width         | 24" / 610 mm     |
| Energy Consumption: Avg. Per Year | 250 kWh          |
| ENERGY STAR                       | na               |
| Product Weight: Max               | 123 lbs          |
| Refrigerant Type                  | R134a            |
| Sabbath (Star K Certified)        | No               |
| Temperature Range                 | 40°F - 60°F      |

**COOLING SYSTEM**

**ELECTRICAL REQUIREMENTS**

This unit requires a grounded a polarized 115 VAC, 60 Hz, 15 A power supply (normal household current).



Residential