

1215BEV • 15" Beverage Center • 1000 Series



STAINLESS FRAME



INTEGRATED FRAME



INTEGRATED SOLID

FEATURES & BENEFITS

| | |
|--------------------------|---|
| PERFORMANCE | <ul style="list-style-type: none"> • Volume of 3.0 cu ft holds up to 48 bottles (12 oz) or 60 cans (12 oz) and 8 wine bottles (750 ml) • Digital Touch Pad Control is conveniently located on upper face of unit • Temperature range: 34°F - 45°F • Passive cooling system |
| INTERIOR/EXTERIOR | <ul style="list-style-type: none"> • Black interior is illuminated with LED lighting that automatically turns off when the door is closed, or can be set to stay on for 3 hours • Three-quarter extension black coated wine racks with natural beech wood fronts allow for easy access • Wine racks accommodate a variety of bottle shapes and sizes • Two adjustable tempered glass shelves • LowE coated, argon gas filled, dual thermopane glass door provides protection from harmful UV Light • 7/8" diameter stainless steel handle (not included on integrated models) • Door swing is field reversible, and is shipped right-hand hinged |
| INTEGRATION | <ul style="list-style-type: none"> • Unit is designed to be built-in or can be freestanding • Solid natural beech wood fronts on wine racks can easily be stained to match surrounding cabinetry • Integrated model requires 3/4" custom door panel (panels not supplied by U-Line) • Four independently adjustable leveling legs provide a precise undercounter fit • Available in the following finishes: Stainless or Integrated |

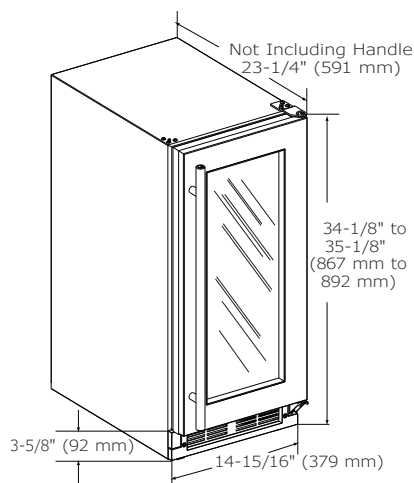
MODEL DETAILS

| Model | Voltage/Hz | Door Swing | Finish | Shipping Weight |
|------------------|------------|------------------|------------------|-----------------|
| U-1215BEVS-00A | 115 / 60 | Field Reversible | Stainless Frame | 96 lbs |
| U-1215BEVINT-00A | 115 / 60 | Field Reversible | Integrated Frame | 93 lbs |
| U-1215BEVINT-60A | 115 / 60 | Field Reversible | Integrated Solid | 89 lbs |

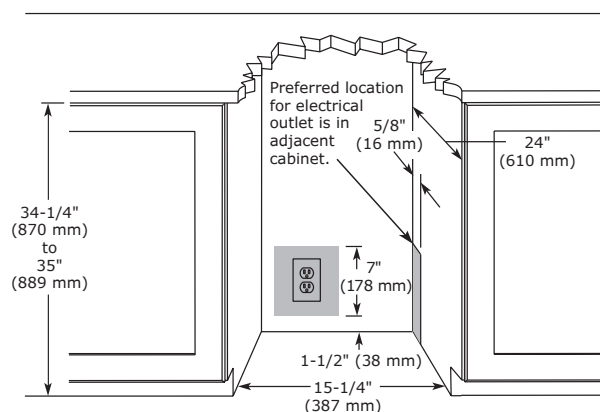
1000 Series • 15" Beverage Center • 1215BEV

DIMENSIONS

Dimensions shown apply to all finishes, including Integrated (INT) models with 3/4" integrated panel/frame installed.



CABINET CUT-OUT



INSTALLATION NOTES

When installing adjacent to wall, ensure 2 1/2" clearance on hinged side for 90° door opening

Cutout includes the additional 1/4" width overall to ensure proper installation.

No additional clearance around sides, top or rear of unit is needed for ventilation.

Do not obstruct front grille air flow.

SPECIFICATIONS

| | |
|-----------------------------------|--|
| Model | 1215BEV |
| Amps: Running | 1.2 |
| Capacity: Bottle (12 oz) | 48 |
| Capacity: Can (12 oz) | 60 |
| Capacity: Volume (cu ft) | 3.0 |
| Capacity: Wine Bottle (750 ml) | 8 |
| Control Type | Digital Touch Pad |
| Dimensions: Product Depth | 23 1/4" / 591 mm |
| Dimensions: Product Height | 34 1/8" / 867 mm |
| Dimensions: Product Width | 14 15/16" / 379 mm |
| Energy Consumption: Avg. Per Year | 285 |
| ENERGY STAR | No |
| Panel Height | 30 1/4" / 768 mm |
| Panel Thickness | 3/4" / 20 mm |
| Panel Type | 2 3/4" / 70 mm Frame Panel or Solid Panel (-60 suffix) |
| Panel Width | 14 3/4" / 375 mm |
| Product Weight: Max | 89 lbs |
| Refrigerant Type | R600a |
| Sabbath (Star K Certified) | Yes |
| Temperature Range | 34°F - 45°F |

COOLING SYSTEM



ELECTRICAL REQUIREMENTS

This unit requires a grounded, polarized 115 VAC, 60 Hz, 15 A power supply (normal household current).



Warranty

Please visit u-line.com to view this model's User Guide & Service Manual. All Specifications are subject to change without notice.