

1224BEV • 24" Beverage Center • 1000 Series

FEATURES & BENEFITS



STAINLESS
FRAME



STAINLESS
FRAME (LOCK)



INTEGRATED
FRAME



INTEGRATED
SOLID

| | |
|--------------------------|--|
| PERFORMANCE | <ul style="list-style-type: none"> • Volume of 5.4 cu ft holds up to 85 bottles (12 oz) or 105 cans (12 oz) and 16 wine bottles (750 ml) • Digital Touch Pad Control is conveniently located on upper face of unit • Temperature range: 34°F - 45°F • Passive cooling system |
| INTERIOR/EXTERIOR | <ul style="list-style-type: none"> • Black interior is illuminated with LED lighting that automatically turns off when the door is closed, or can be set to stay on for 3 hours • Three-quarter extension black vinyl coated wine racks allow for easy access and prevent bottles from shifting • Wine racks accommodate a variety of bottle shapes and sizes • Two removable tempered glass shelves • LowE coated, argon gas filled thermopane glass door provides protection from harmful UV light • Standard commercial stainless steel handle is interchangeable with professional handle accessory • Door swing is field reversible • Door lock model available |
| INTEGRATION | <ul style="list-style-type: none"> • Unit is designed to be built-in or can be freestanding with the freestanding accessory kit • Solid natural beech wood fronts on wine racks can easily be stained to match surrounding cabinetry • Integrated model requires 3/4" custom door panel (panels not supplied by U-Line) • Four independently adjustable levelling legs provide a precise undercounter fit • Available in the following finishes: Stainless or Integrated |

MODEL DETAILS

| Model | Voltage/Hz | Door Swing | Finish | Shipping Weight |
|------------------|------------|------------------|------------------------|-----------------|
| U-1224BEVS-00A | 115 / 60 | Field Reversible | Stainless Frame | 127 lbs |
| U-1224BEVS-13A | 115 / 60 | Field Reversible | Stainless Frame (Lock) | 127 lbs |
| U-1224BEVINT-00A | 115 / 60 | Field Reversible | Integrated Frame | 121 lbs |
| U-1224BEVINT-60A | 115 / 60 | Field Reversible | Integrated Solid | 113 lbs |

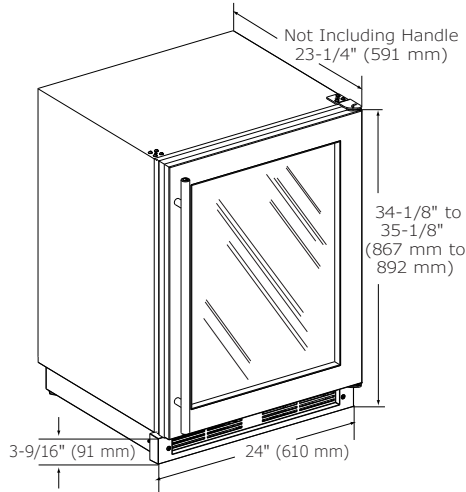
ACCESSORIES

| Model | Description | Finish | Shipping Weight |
|---------|---|-----------|-----------------|
| 23074 | Professional Door Handle, 1 1/4" Diameter | Stainless | 2 lbs |
| 23073 | Commercial Door Handle, 7/8" Diameter | Stainless | 2 lbs |
| U-FSK-B | Freestanding Kit | Black | 3 lbs |

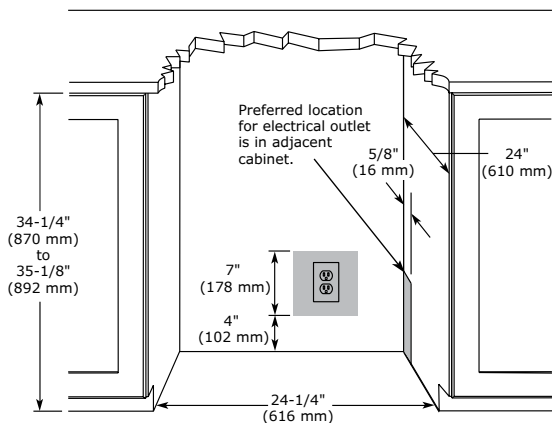
1000 Series • 24" Beverage Center • **1224BEV**

DIMENSIONS

Dimensions shown apply to all finishes, including Integrated (INT) models with 3/4" integrated panel/frame installed.



CABINET CUT-OUT



INSTALLATION NOTES

When installing adjacent to wall, ensure 2 1/2" clearance on hinged side for 90° door opening, allowing ample room for door handle.

Cutout includes the additional 1/4" width overall to ensure proper installation.

No additional clearance around sides, top or rear of unit is needed for ventilation.

Do not obstruct front grille air flow.

SPECIFICATIONS

| | |
|-----------------------------------|--|
| Model | 1224BEV |
| Amps: Running | 1.2 |
| Capacity: Bottle (12 oz) | 85 |
| Capacity: Can (12 oz) | 105 |
| Capacity: Volume (cu ft) | 5.4 |
| Capacity: Wine Bottle (750 ml) | 16 |
| Control Type | Digital Touch Pad |
| Dimensions: Product Depth | 23 1/4" / 591 mm |
| Dimensions: Product Height | 34 1/8" / 867 mm |
| Dimensions: Product Width | 24" / 610 mm |
| Energy Consumption: Avg. Per Year | 305 kWh |
| ENERGY STAR | No |
| Panel Height | 30 1/4" / 768 mm |
| Panel Thickness | 3/4" / 20 mm |
| Panel Type | 2 3/4" / 70 mm Frame Panel or Solid Panel (-60 suffix) |
| Panel Width | 23 3/4" / 603 mm |
| Product Weight: Max | 111 lbs |
| Refrigerant Type | R600a |
| Sabbath (Star K Certified) | Yes |
| Temperature Range | 34°F - 45°F |

COOLING SYSTEM



ELECTRICAL REQUIREMENTS

This unit requires a grounded a polarized 115 VAC, 60 Hz, 15 A power supply (normal household current).



Residential & Commercial

Please visit u-line.com to view this model's User Guide. All specifications are subject to change without notice.