

1224FZRSOD • 24" Outdoor Convertible Freezer • Outdoor Series

FEATURES & BENEFITS



STAINLESS SOLID

| | |
|--------------------------|---|
| PERFORMANCE | <ul style="list-style-type: none"> • Volume of 4.8 cu ft • Digital Touch Pad Control is conveniently located on upper face of unit • Converts to a refrigerator with the touch of a button • Freezer temperature range: -5°F - 5°F • Refrigerator temperature range: 34°F - 45°F • Convection cooling system rapidly and efficiently takes items to the set temperature |
| INTERIOR/EXTERIOR | <ul style="list-style-type: none"> • White interior is illuminated with LED lighting • Three chrome plated full-extension slide-out freezer baskets • Stainless steel handle • Full stainless steel cabinet and door are deemed suitable for outdoor use by UL • Door swing is field reversible, and is shipped right-hand hinged |
| INTEGRATION | <ul style="list-style-type: none"> • Unit is designed to be built-in or can be freestanding with the freestanding accessory kit • Four independently adjustable leveling legs provide a precise undercounter fit |

MODEL DETAILS

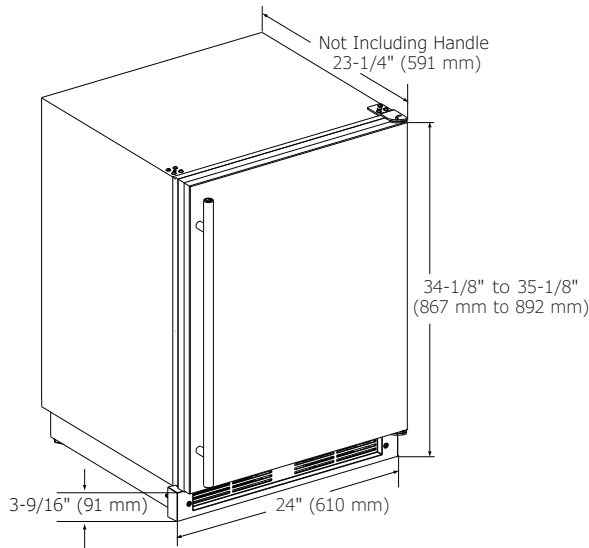
| Model | Voltage/Hz | Door Swing | Finish | Shipping Weight |
|-----------------|------------|------------------|-----------------|-----------------|
| U-122FZRSOD-00A | 115 / 60 | Field Reversible | Stainless Solid | 125 lbs |

ACCESSORIES

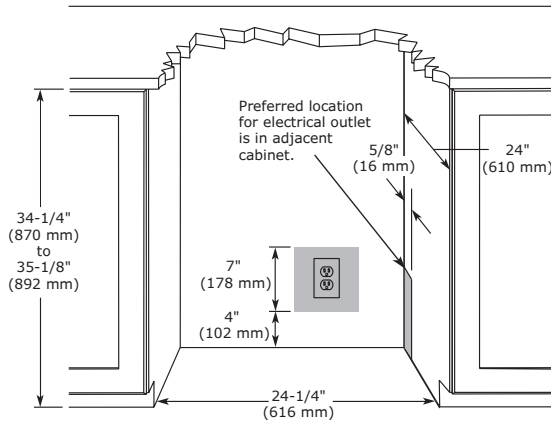
| Model | Description | Finish | Shipping Weight |
|---------|------------------|-----------|-----------------|
| U-FSK-S | Freestanding Kit | Stainless | 3 lb |

Outdoor Series • 24" Outdoor Convertible Freezer • **1224FZRSOD**

DIMENSIONS



CABINET CUT-OUT



INSTALLATION NOTES

When installing adjacent to wall, ensure 2-1/2" clearance on hinged side for 90° door opening, allowing ample room for door handle.

Cutout includes the additional 1/4" width overall to ensure proper installation.

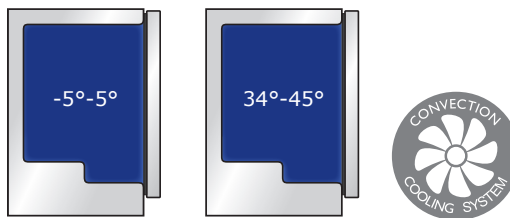
No additional clearance around sides, top or rear of unit is needed for ventilation.

Do not obstruct front grille air flow.

SPECIFICATIONS

| | |
|-----------------------------------|----------------------|
| Model | 1224FZRSOD |
| Amps: Running | 2.5 |
| Capacity: Volume (cu ft) | 4.8 |
| Control Type | Digital Touch Pad |
| Dimensions: Product Depth | 23 1/4" / 591 mm |
| Dimensions: Product Height | 34 1/8" / 867 mm |
| Dimensions: Product Width | 24" / 610 mm |
| Energy Consumption: Avg. Per Year | 390 kWh |
| ENERGY STAR | Yes |
| ENERGY STAR | ENERGY STAR / Tier 1 |
| Product Weight: Max | 115 lbs |
| Refrigerant Type | R134a |
| Sabbath (Star K Certified) | Yes |
| Temperature Range (Freezer) | -5°F - 5°F |
| Temperature Range (Refrigerator) | 34°F - 45°F |

COOLING SYSTEM



ELECTRICAL REQUIREMENTS

This unit requires a grounded, polarized 115 VAC, 60 Hz, 15 A power supply (normal household current).



Please visit u-line.com to view this model's User Guide & Service Manual. All Specifications are subject to change without notice.

Deemed suitable for outdoor use by UL.