

**1224FZR • 24" Convertible Freezer • 1000 Series**

**FEATURES & BENEFITS**



STAINLESS SOLID



INTEGRATED SOLID



BLACK SOLID



WHITE SOLID

**PERFORMANCE**

- Volume of 4.8 cu ft
- Digital Touch Pad Control is conveniently located on upper face of unit
- Converts to a refrigerator with the touch of a button
- Freezer temperature range: -5°F - 5°F
- Refrigerator temperature range: 34°F - 45°F
- Convection cooling system rapidly and efficiently takes items to the set temperature

**INTERIOR/EXTERIOR**

- White interior is illuminated with LED lighting
- Three chrome plated full-extension slide-out freezer baskets
- 7/8" diameter stainless steel handle (not included on integrated models)
- Door swing is field reversible, and is shipped right-hand hinged

**INTEGRATION**

- Unit is designed to be built-in or can be freestanding with the freestanding accessory kit
- Integrated model requires 3/4" custom door panel (panels not supplied by U-Line)
- Four independently adjustable leveling legs provide a precise undercounter fit
- Available in the following finishes: Stainless, Integrated, Black, or White

**MODEL DETAILS**

| Model            | Voltage/Hz | Door Swing       | Finish           | Shipping Weight |
|------------------|------------|------------------|------------------|-----------------|
| U-1224FZRS-00A   | 115 / 60   | Field Reversible | Stainless Solid  | 125 lbs         |
| U-1224FZRINT-00A | 115 / 60   | Field Reversible | Integrated Solid | 122 lbs         |
| U-1224FZRB-00A   | 115 / 60   | Field Reversible | Black Solid      | 125 lbs         |
| U-1224FZRW-00A   | 115 / 60   | Field Reversible | White Solid      | 125 lbs         |

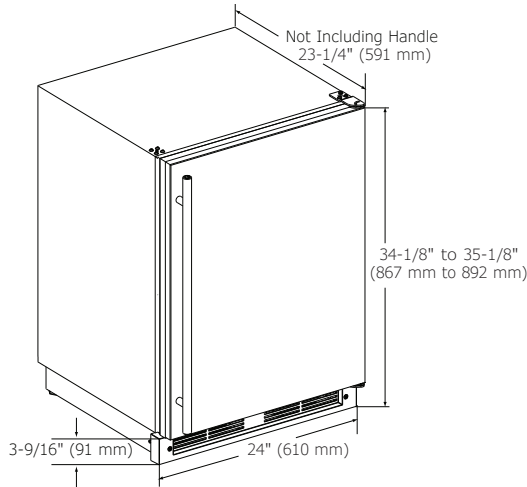
**ACCESSORIES**

| Model   | Description      | Finish | Shipping Weight |
|---------|------------------|--------|-----------------|
| U-FSK-B | Freestanding Kit | Black  | 3 lb            |

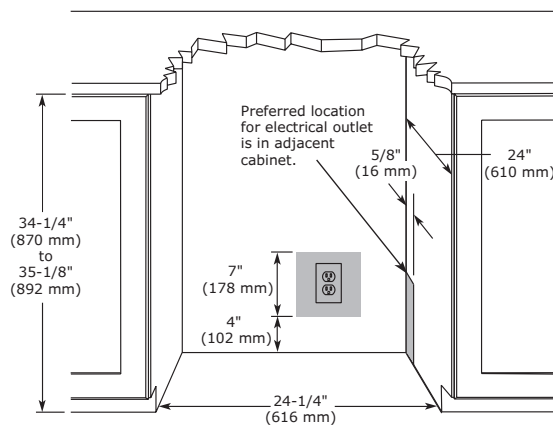
1000 Series • 24" Convertible Freezer • **1224FZR**

**DIMENSIONS**

Dimensions shown apply to all finishes, including Integrated (INT) models with 3/4" integrated panel/frame installed.



**CABINET CUT-OUT**



**INSTALLATION NOTES**

When installing adjacent to wall, ensure 2 1/2" clearance on hinged side for 90° door opening, allowing ample room for door handle.

Cutout includes the additional 1/4" width overall to ensure proper installation.

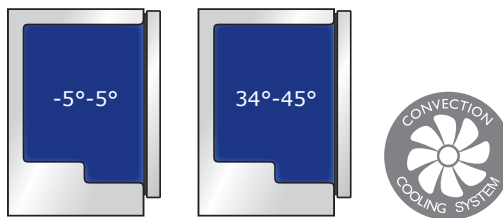
No additional clearance around sides, top or rear of unit is needed for ventilation.

Do not obstruct front grille air flow.

**SPECIFICATIONS**

|                                   |                      |
|-----------------------------------|----------------------|
| Model                             | 1224FZR              |
| Amps: Running                     | 2.5                  |
| Capacity: Volume (cu ft)          | 4.8                  |
| Control Type                      | Digital Touch Pad    |
| Dimensions: Product Depth         | 23 1/4" / 591 mm     |
| Dimensions: Product Height        | 34 1/8" / 867 mm     |
| Dimensions: Product Width         | 24" / 610 mm         |
| Energy Consumption: Avg. Per Year | 390 kWh              |
| ENERGY STAR                       | ENERGY STAR / Tier 1 |
| Panel Height                      | 30 1/4" / 768 mm     |
| Panel Thickness                   | 3/4" / 20 mm         |
| Panel Type                        | Solid Panel          |
| Panel Width                       | 23 3/4" / 603 mm     |
| Product Weight: Max               | 115 lbs              |
| Refrigerant Type                  | R134a                |
| Sabbath (Star K Certified)        | Yes                  |
| Temperature Range (Freezer)       | -5°F - 5°F           |
| Temperature Range (Refrigerator)  | 34°F - 45°F          |

**COOLING SYSTEM**



**ELECTRICAL REQUIREMENTS**

This unit requires a grounded, polarized 115 VAC, 60 Hz, 15 A power supply (normal household current).



Please visit [u-line.com](http://u-line.com) to view this model's User Guide & Service Manual. All Specifications are subject to change without notice.