

1224KEGRSOD • 24" Outdoor Keg Refrigerator • Outdoor Series

FEATURES & BENEFITS



STAINLESS SOLID (SINGLE TAP)



STAINLESS SOLID (DOUBLE TAP)

| | |
|--------------------------|--|
| PERFORMANCE | <ul style="list-style-type: none"> • Volume of 5.6 cu ft can fit up to one 1/4 slim barrel and one 1/6 barrel, or standard 1/4 barrel • Holds up to 111 bottles (12 oz) or 165 cans (12 oz) • Digital Touch Pad Control is conveniently located on upper face of unit • Temperature range: 34°F - 45°F • Convection cooling system rapidly and efficiently takes items to the set temperature |
| INTERIOR/EXTERIOR | <ul style="list-style-type: none"> • White interior is illuminated with LED lighting • Two chrome plated durable wire shelves • Removable stainless steel liner protects the interior floor • Stainless steel handle • Full stainless steel cabinet and door are deemed suitable for outdoor use by UL • Door swing is field reversible, and is shipped right-hand hinged • Center top plug is removed when using Tap Tower Kits • Single Tap Tower Kit and Double Tap Tower Kit accessories sold separately • Tap Tower Kits include low profile tap head(s), CO2 tank and regulator, tubing and clamps, mounting hardware, black tap handle(s), drip tray, and cleaning kit |
| INTEGRATION | <ul style="list-style-type: none"> • Unit is designed to be built-in or can be freestanding with the freestanding accessory kit • Four independently adjustable leveling legs provide a precise undercounter fit • May be used for indoor applications |

MODEL DETAILS

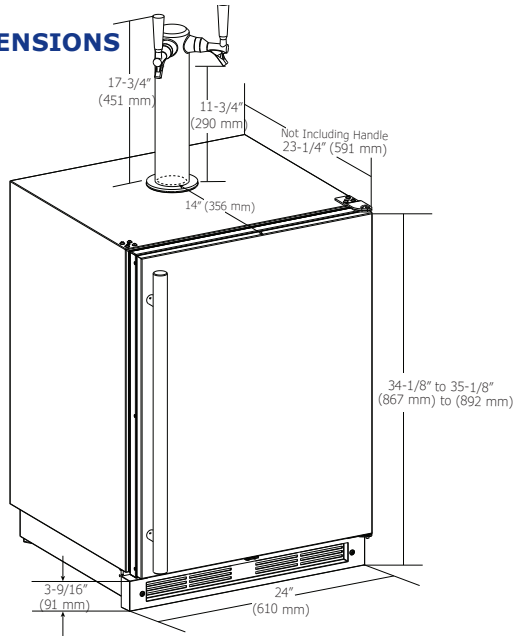
| Model | Voltage/Hz | Door Swing | Finish | Shipping Weight |
|-------------------|------------|------------------|-----------------|-----------------|
| U-1224KEGRSOD-00A | 115 / 60 | Field Reversible | Stainless Solid | 117 lbs |

ACCESSORIES

| Model | Description | Finish | Shipping Weight |
|-------------|----------------------|-----------|-----------------|
| U-FSK-S | Freestanding Kit | Stainless | 3 lbs |
| U-SINGLETAP | Single Tap Tower Kit | Stainless | 20 lbs |
| U-DOUBLETAP | Double Tap Tower Kit | Stainless | 24 lbs |

Outdoor Series • Outdoor Keg Refrigerator • **1224KEGRSOD**

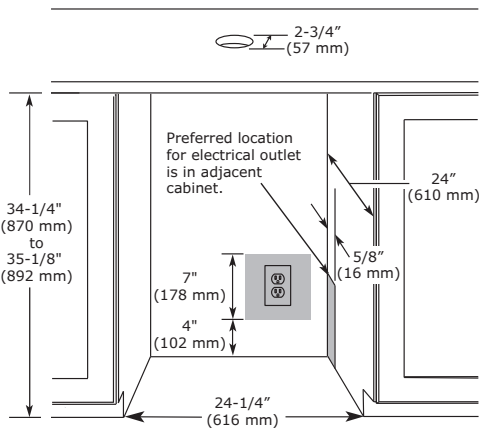
DIMENSIONS



SPECIFICATIONS

| | |
|-----------------------------------|----------------------|
| Model | 1224KEGRSOD |
| Amps: Running | 1.2 |
| Capacity: Bottle (12 oz) | 111 |
| Capacity: Can (12 oz) | 165 |
| Capacity: Volume (cu ft) | 5.6 |
| Control Type | Digital Touch Pad |
| Dimensions: Product Depth | 23 1/4" / 591 mm |
| Dimensions: Product Height | 34 1/8" / 867 mm |
| Dimensions: Product Width | 24" / 610 mm |
| Energy Consumption: Avg. Per Year | 240 kWh |
| ENERGY STAR | ENERGY STAR / Tier 3 |
| Product Weight: Max | 107 lbs |
| Refrigerant Type | R600a |
| Sabbath (Star K Certified) | Yes |
| Temperature Range | 34°F - 45°F |

CABINET CUT-OUT



INSTALLATION NOTES

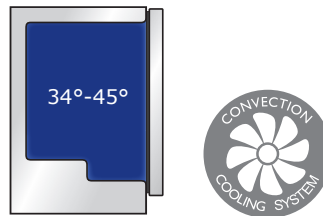
When installing adjacent to wall, ensure 2 1/2" clearance on hinged side for 90° door opening, allowing ample room for door handle.

Cutout includes the additional 1/4" width overall to ensure proper installation.

No additional clearance around sides, top or rear of unit is needed for ventilation.

Do not obstruct front grille air flow.

COOLING SYSTEM



ELECTRICAL REQUIREMENTS

This unit requires a grounded, polarized 115 VAC, 60 Hz, 15 A power supply (normal household current).



Please visit u-line.com to view this model's User Guide & Service Manual. All Specifications are subject to change without notice.

Deemed suitable for outdoor use by UL.