

1224RGL • 24" Glass Door Refrigerator • 1000 Series

FEATURES & BENEFITS



STAINLESS
FRAME



INTEGRATED
FRAME

PERFORMANCE

- Volume of 5.4 cu ft holds up to 123 bottles (12 oz) or 185 cans (12 oz)
- Digital Touch Pad Control is conveniently located on upper face of unit
- Temperature range: 34°F - 45°F
- Passive Cooling System

INTERIOR/EXTERIOR

- Black interior is illuminated with LED lighting that automatically turns off when the door is closed
- Three removable tempered glass shelves
- LowE coated, argon gas filled, dual thermopane glass door provides protection from harmful UV Light
- 7/8" diameter stainless steel handle (not included on integrated models)
- Door swing is field reversible, and is shipped right-hand hinged

INTEGRATION

- Unit is designed to be built-in or can be freestanding with the freestanding accessory kit with the freestanding accessory kit
- Integrated model requires 3/4" custom door panel (panels not supplied by U-Line)
- Four independently adjustable leveling legs provide a precise undercounter fit
- Available in the following finishes: Stainless or Integrated

MODEL DETAILS

Model	Voltage/Hz	Door Swing	Finish	Shipping Weight
U-1224RGLS-00A	115 / 60	Field Reversible	Stainless Frame	123 lbs
U-1224RGLINT-00A	115 / 60	Field Reversible	Integrated Frame	117 lbs

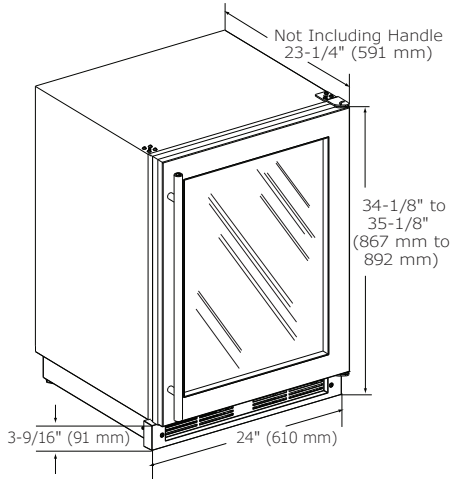
ACCESSORIES

Model	Description	Finish	Shipping Weight
U-FSK-B	Freestanding Kit	Black	3 lb

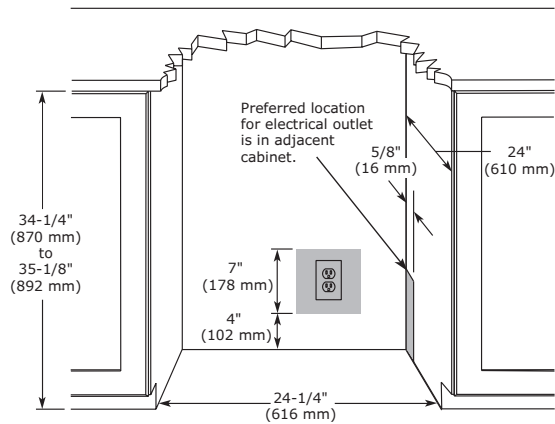
1000 Series • 24" Glass Door Refrigerator • **1224RGL**

DIMENSIONS

Dimensions shown apply to all finishes, including Integrated (INT) models with 3/4" integrated panel/frame installed.



CABINET CUT-OUT



INSTALLATION NOTES

- When installing adjacent to wall, ensure 2 1/2" clearance on hinged side for 90° door opening, allowing ample room for door handle.
- Cutout includes the additional 1/4" width overall to ensure proper installation.
- No additional clearance around sides, top or rear of unit is needed for ventilation.
- Do not obstruct front grille air flow.

SPECIFICATIONS

Model	1224RGL
Amps: Running	1.2
Capacity: Bottle (12 oz)	123
Capacity: Can (12 oz)	185
Capacity: Volume (cu ft)	5.4
Control Type	Digital Touch Pad
Dimensions: Product Depth	23 1/4" / 591 mm
Dimensions: Product Height	34 1/8" / 867 mm
Dimensions: Product Width	24" / 610 mm
Energy Consumption: Avg. Per Year	305 kWh
ENERGY STAR	No
Panel Height	30 1/4" / 768 mm
Panel Thickness	3/4" / 20 mm
Panel Type	2 3/4" / 70 mm Frame Panel
Panel Width	23 3/4" / 603 mm
Product Weight: Max	113 lbs
Refrigerant Type	R600a
Sabbath (Star K Certified)	Yes
Temperature Range	34°F - 45°F

COOLING SYSTEM



ELECTRICAL REQUIREMENTS

This unit requires a grounded, polarized 115 VAC, 60 Hz, 15 A power supply (normal household current).



Warranty

Please visit u-line.com to view this model's User Guide & Service Manual. All Specifications are subject to change without notice.