

**1224R • 24" Solid Door Refrigerator • 1000 Series**

**FEATURES & BENEFITS**



STAINLESS SOLID



INTEGRATED SOLID



BLACK SOLID



WHITE SOLID

**PERFORMANCE**

- Volume of 5.2 cu ft holds up to 123 bottles (12 oz) or 185 cans (12 oz)
- Digital Touch Pad Control is conveniently located on upper face of unit
- Temperature range: 34°F - 45°F

**INTERIOR/EXTERIOR**

- White interior is illuminated with LED lighting
- Three removable tempered glass shelves
- 7/8" diameter stainless steel handle (not included on integrated models)
- Door swing is field reversible, and is shipped right-hand hinged

**INTEGRATION**

- Unit is designed to be built-in or can be freestanding with the freestanding accessory kit
- Integrated model requires 3/4" custom door panel (panels not supplied by U-Line)
- Four independently adjustable leveling legs provide a precise undercounter fit
- Available in the following finishes: Stainless, Integrated, Black, or White

**MODEL DETAILS**

Model	Voltage/Hz	Door Swing	Finish	Shipping Weight
U-1224RS-00B	115 / 60	Field Reversible	Stainless Solid	109 lb
U-1224RINT-00B	115 / 60	Field Reversible	Integrated Solid	106 lb
U-1224RB-00B	115 / 60	Field Reversible	Black Solid	109 lb
U-1224RW-00B	115 / 60	Field Reversible	White Solid	109 lb

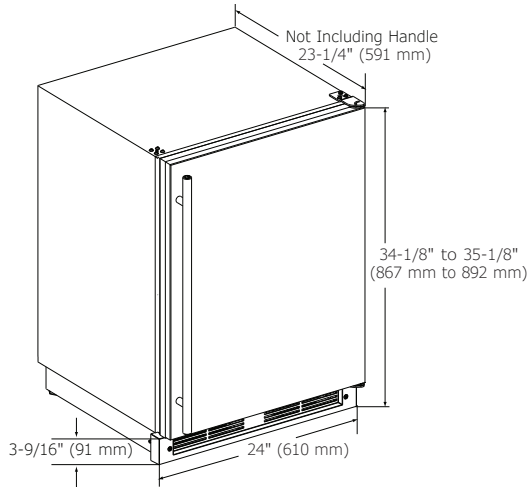
**ACCESSORIES**

Model	Description	Finish	Shipping Weight
U-FSK-B	Freestanding Kit	Black	3 lb

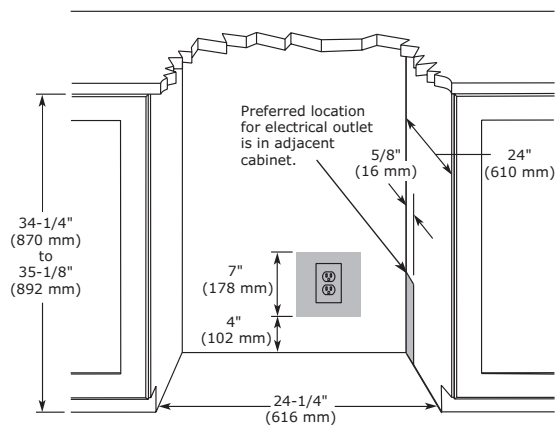
1000 Series • 24" Solid Door Refrigerator • 1224R

**DIMENSIONS**

Dimensions shown apply to all finishes, including Integrated (INT) models with 3/4" integrated panel/frame installed.



**CABINET CUT-OUT**



**INSTALLATION NOTES**

When installing adjacent to wall, ensure 2 1/2" clearance on hinged side for 90° door opening, allowing ample room for door handle.

Cutout includes the additional 1/4" width overall to ensure proper installation.

No additional clearance around sides, top or rear of unit is needed for ventilation.

Do not obstruct front grille air flow.

**SPECIFICATIONS**

Model	1224R
Amps: Running	1.2
Capacity: Bottle (12 oz)	123
Capacity: Can (12 oz)	185
Capacity: Volume (cu ft)	5.4
Control Type	Digital Touch Pad
Dimensions: Product Depth	23 1/4" / 591 mm
Dimensions: Product Height	34 1/8" / 867 mm
Dimensions: Product Width	24" / 610 mm
Energy Consumption: Avg. Per Year	240 kWh
ENERGY STAR / CEE RATING	ENERGY STAR / Tier 3
Panel Height	30 1/4" / 768 mm
Panel Thickness	3/4" / 20 mm
Panel Type	Solid Panel
Panel Width	23 3/4" / 603 mm
Product Weight: Max	99 lb
Refrigerant Type	R600a
Sabbath (Star K Certified)	Yes
Temperature Range	34°F - 45°F

**COOLING SYSTEM**



**ELECTRICAL REQUIREMENTS**

This unit requires a grounded, polarized 115 VAC, 60 Hz, 15 A power supply (normal household current).



Warranty

Please visit [u-line.com](http://u-line.com) to view this model's User Guide & Service Manual. All Specifications are subject to change without notice.