

**1224WC • 24" Wine Captain® Model • 1000 Series**

**FEATURES & BENEFITS**



STAINLESS FRAME



STAINLESS FRAME (LOCK)



INTEGRATED FRAME



INTEGRATED SOLID



BLACK FRAME

<b>PERFORMANCE</b>	<ul style="list-style-type: none"> <li>• Volume of 5.2 cu ft holds up to 48 wine bottles (750 ml)</li> <li>• Digital Touch Pad Control is conveniently located on upper face of unit</li> <li>• Temperature range: 38°F - 65°F</li> <li>• Passive cooling system</li> <li>• Relative humidity inside the unit is approx. 50%</li> <li>• Rubber mounted compressor virtually eliminates vibration</li> </ul>
<b>INTERIOR/EXTERIOR</b>	<ul style="list-style-type: none"> <li>• Black interior is illuminated with LED lighting that automatically turns off when the door is closed, or can be set to stay on for 3 hours</li> <li>• Three-quarter extension black vinyl coated wine racks allow for easy access and prevent bottles from shifting</li> <li>• Wine racks accommodate a variety of bottle shapes and sizes, while the fourth and fifth racks allow for larger diameter wine and champagne bottles</li> <li>• LowE coated, argon gas filled thermopane glass door provides protection from harmful UV light</li> <li>• Standard commercial stainless steel handle is interchangeable with professional handle accessory</li> <li>• Door swing is field reversible</li> </ul>
<b>INTEGRATION</b>	<ul style="list-style-type: none"> <li>• Unit is designed to be built-in or can be freestanding with additional accessory kit</li> <li>• Solid natural beech wood fronts on wine racks can easily be stained to match surrounding cabinetry</li> <li>• Integrated model requires 3/4" custom door panel (panels not supplied by U-Line)</li> <li>• Four independently adjustable leveling legs provide a precise undercounter fit</li> <li>• Available in the following finishes: Stainless, Integrated, or Black</li> </ul>

**MODEL DETAILS**

Model	Voltage/Hz	Door Swing	Finish	Shipping Weight
U-1224WCS-00A	115 / 60	Field Reversible	Stainless Frame	133 lbs
U-1224WCS-13A	115 / 60	Field Reversible	Stainless Frame (Lock)	133 lbs
U-1224WCINT-00A	115 / 60	Field Reversible	Integrated Frame	130 lbs
U-1224WCINT-60A	115 / 60	Field Reversible	Integrated Solid	123 lbs
U-1224WCB-00A	115 / 60	Field Reversible	Black Frame	133 lbs

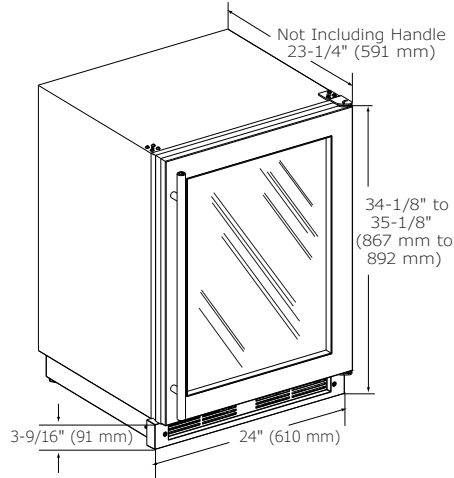
**ACCESSORIES**

Model	Description	Finish	Shipping Weight
23074	Professional Door Handle, 1 1/4" Diameter	Stainless	2 lbs
23073	Commercial Door Handle, 7/8" Diameter	Stainless	2 lbs
U-FSK-B	Freestanding Kit	Black	3 lbs

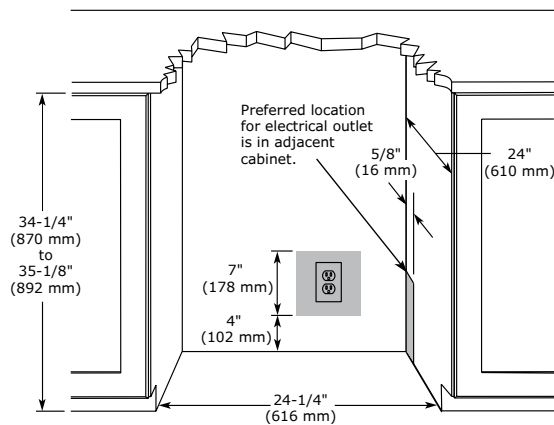
1000 Series • 24" Wine Captain® Model • 1224WC

**DIMENSIONS**

Dimensions shown apply to all finishes, including Integrated (INT) models with 3/4" integrated panel/frame installed.



**CABINET CUT-OUT**



**SPECIFICATIONS**

Model	1224WC
Amps: Running	1.2
Capacity: Average Volume (cu ft)	5.2
Capacity: Wine Bottle (750 ml)	48
Control Type	Digital Touch Pad
Dimensions: Product Depth	23 1/4" / 591 mm
Dimensions: Product Height	34 1/8" / 867 mm
Dimensions: Product Width	24" / 610 mm
Energy Consumption: Avg. Per Year	250 kWh
ENERGY STAR	na
Panel Height	30 1/4" / 768 mm
Panel Thickness	3/4" / 20 mm
Panel Type	2 3/4" / 70 mm Frame Panel or Solid Panel (-60 suffix)
Panel Width	23 3/4" / 603 mm
Product Weight: Max	123 lbs
Refrigerant Type	R600a
Sabbath (Star K Certified)	Yes
Temperature Range	38°F - 65°F

**INSTALLATION NOTES**

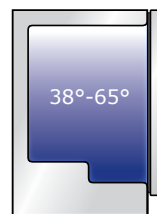
When installing adjacent to wall, ensure 2 1/2" clearance on hinged side for 90° door opening, allowing ample room for door handle.

Cutout includes the additional 1/4" width overall to ensure proper installation.

No additional clearance around sides, top or rear of unit is needed for ventilation.

Do not obstruct front grille air flow.

**COOLING SYSTEM**



**ELECTRICAL REQUIREMENTS**

This unit requires a grounded a polarized 115 VAC, 60 Hz, 15 A power supply (normal household current).

Please visit [u-line.com](http://u-line.com) to view this model's User Guide. All specifications are subject to change without notice.

