

1224WC • 24" Wine Captain® Model • 1000 Series

FEATURES & BENEFITS



STAINLESS
FRAME



STAINLESS
FRAME (LOCK)



INTEGRATED
FRAME



INTEGRATED
SOLID



BLACK
FRAME

PERFORMANCE

- Volume of 5.2 cu ft holds up to 48 wine bottles (750 ml)
- Digital Touch Pad Control is conveniently located on upper face of unit
- Temperature range: 38°F - 65°F
- Passive cooling system
- Rubber mounted compressor virtually eliminates vibration
- Exceeds 2019 energy standard by 44% (Tested according to 2019 Department of Energy - standard 10 C.F.R. section 430.23)

INTERIOR/EXTERIOR

- Black interior is illuminated with LED lighting that automatically turns off when the door is closed, or can be set to stay on for 3 hours
- Three-quarter extension black coated wine racks allow for easy access and prevent bottles from shifting
- Wine racks accommodate a variety of bottle shapes and sizes, while the fourth and fifth racks allow for larger diameter wine and champagne bottles
- LowE coated, argon gas filled, dual thermopane glass door provides protection from harmful UV light
- 7/8" diameter stainless steel handle (not included on integrated models)
- Door swing is field reversible, and is shipped right-hand hinged

INTEGRATION

- Unit is designed to be built-in or can be freestanding with additional accessory kit
- Solid natural beech wood fronts on wine racks can easily be stained to match surrounding cabinetry
- Integrated model requires 3/4" custom door panel (panels not supplied by U-Line)
- Four independently adjustable leveling legs provide a precise undercounter fit
- Available in the following finishes: Stainless, Integrated, or Black

MODEL DETAILS

Model	Voltage/Hz	Door Swing	Finish	Shipping Weight
U-1224WCS-00B	115 / 60	Field Reversible	Stainless Frame	133 lb
U-1224WCS-13B	115 / 60	Field Reversible	Stainless Frame (Lock)	133 lb
U-1224WCINT-00B	115 / 60	Field Reversible	Integrated Frame	130 lb
U-1224WCINT-60B	115 / 60	Field Reversible	Integrated Solid	123 lb
U-1224WCB-00B	115 / 60	Field Reversible	Black Frame	133 lb

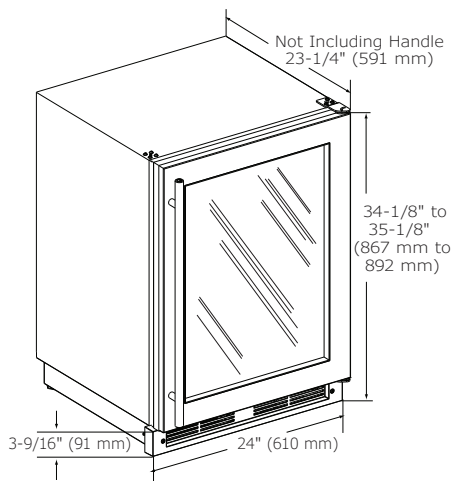
ACCESSORIES

Model	Description	Finish	Shipping Weight
U-FSK-B	Freestanding Kit	Black	3 lb

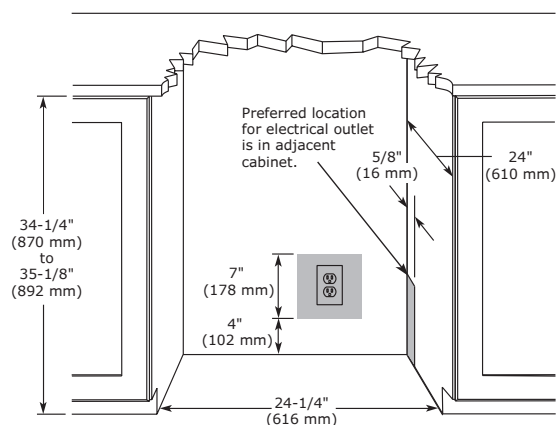
1000 Series • 24" Wine Captain® Model • **1224WC**

DIMENSIONS

Dimensions shown apply to all finishes, including Integrated (INT) models with 3/4" integrated panel/frame installed.



CABINET CUT-OUT



INSTALLATION NOTES

When installing adjacent to wall, ensure 2 1/2" clearance on hinged side for 90° door opening, allowing ample room for door handle.

Cutout includes the additional 1/4" width overall to ensure proper installation.

No additional clearance around sides, top or rear of unit is needed for ventilation.

Do not obstruct front grille air flow.

SPECIFICATIONS

Model	1224WC
Amps: Running	1.2
Capacity: Average Volume (cu ft)	5.2
Capacity: Wine Bottle (750 ml)	48
Control Type	Digital Touch Pad
Dimensions: Product Depth	23 1/4" / 591 mm
Dimensions: Product Height	34 1/8" / 867 mm
Dimensions: Product Width	24" / 610 mm
Energy Consumption: Avg. Per Year	110 kWh
ENERGY STAR	N/A
Panel Height	30 1/4" / 768 mm
Panel Thickness	3/4" / 20 mm
Panel Type	2 3/4" / 70 mm Frame Panel or Solid Panel (-60 suffix)
Panel Width	23 3/4" / 603 mm
Product Weight: Max	123 lb
Refrigerant Type	R600a
Sabbath (Star K Certified)	Yes
Temperature Range	38°F - 65°F

COOLING SYSTEM



ELECTRICAL REQUIREMENTS

This unit requires a grounded, polarized 115 VAC, 60 Hz, 15 A power supply (normal household current).



Warranty

Please visit u-line.com to view this model's User Guide & Service Manual. All Specifications are subject to change without notice.