

2218WC • 18" Wine Captain® Model • 2000 Series

FEATURES & BENEFITS



STAINLESS FRAME



INTEGRATED FRAME (STAINLESS HANDLELESS PANEL)*



INTEGRATED FRAME

PERFORMANCE	<ul style="list-style-type: none"> • Volume of 3.6 cu ft holds up to 31 wine bottles (750 ml) • Digital Touch Pad Control is conveniently located on upper face of unit • Temperature range: 38°F - 65°F • Convection cooling system rapidly and efficiently takes items to the set temperature • Rubber mounted compressor virtually eliminates vibration • Exceeds 2019 energy standard by 53% (Tested according to 2019 Department of Energy - standard 10 C.F.R. section 430.23)
INTERIOR/EXTERIOR	<ul style="list-style-type: none"> • Black interior is illuminated with LED lighting that automatically turns off when the door is closed, or can be set to stay on for 3 hours • Full extension black coated wine racks allow for easy access and prevent bottles from shifting • Wine racks accommodate a variety of bottle shapes and sizes, while the fourth and fifth racks allow for larger diameter wine and champagne bottles • LowE coated, argon gas filled triple thermopane glass door provides protection from harmful UV light • 7/8" diameter stainless steel handle (not included on integrated models) • The door swing is field reversible and is shipped right-hand hinged
INTEGRATION	<ul style="list-style-type: none"> • Solid natural beech wood fronts on wine racks can easily be stained to match surrounding cabinetry • Robust, concealed and covered hinges with built-in door stop and closer • Integrated model requires 3/4" custom panel of your choice, or can accept U-Line Euro Style Handleless Stainless Panel Accessory (must be ordered separately) • Fixed grille can accept an integrated toe-kick • Four independently adjustable leveling legs provide a precise undercounter fit

MODEL DETAILS

Model	Voltage/Hz	Door Swing	Finish	Shipping Weight
U-2218WCS-00B	115 / 60	Field Reversible	Stainless Frame	134 lb
U-2218WCINT-00B	115 / 60	Field Reversible	Integrated Frame	132 lb

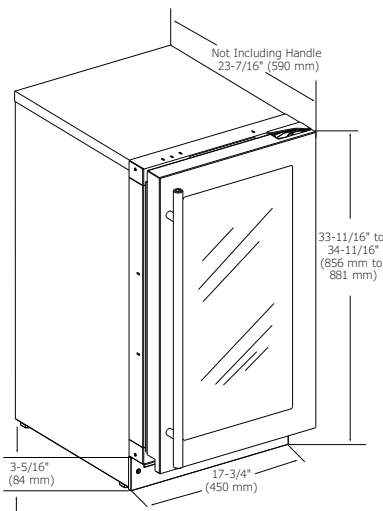
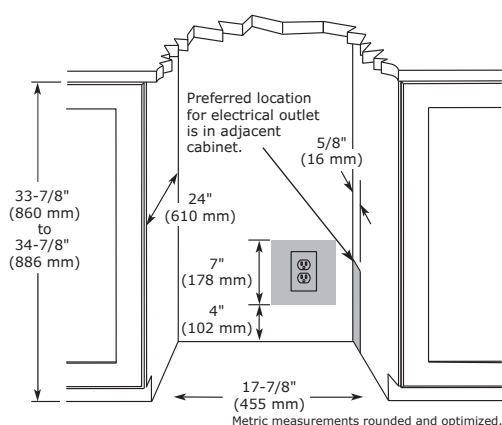
ACCESSORIES

Model	Description	Finish	Shipping Weight
U-ESPF45S*	Euro Style Handleless Panel, 18" Frame	Stainless	6 lb

*Installs on integrated models.

2000 Series • 18" Wine Captain® Model • 2218WC
DIMENSIONS

Dimensions shown apply to all finishes, including Integrated (INT) models with 3/4" integrated panel/frame installed.


CABINET CUT-OUT

INSTALLATION NOTES

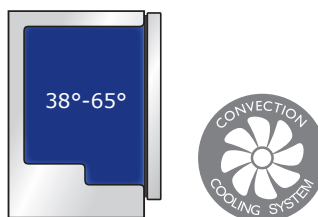
When installing adjacent to wall, ensure 2 1/2" clearance on hinged side for 90° door opening, allowing ample room for door handle.

No additional clearance around sides, top or rear of unit is needed for ventilation.

Do not obstruct front grille air flow.

SPECIFICATIONS

Model	2218WC
Amps: Running	1.2
Capacity: Average Volume (cu ft)	3.6
Capacity: Wine Bottle (750 ml)	31
Control Type	Digital Touch Pad
Dimensions: Product Depth	23 7/16" / 590 mm
Dimensions: Product Height	33 11/16" / 856 mm
Dimensions: Product Width	17 3/4" / 450 mm
Energy Consumption: Avg. Per Year	85 kWh
ENERGY STAR	N/A
Panel Height	30" / 762 mm
Panel Thickness	3/4" / 20 mm
Panel Type	2 3/4" / 70 mm Frame Panel
Panel Width	17 5/8" / 445 mm
Product Weight: Max	125 lb
Refrigerant Type	R600a
Sabbath (Star K Certified)	Yes
Temperature Range	38°F - 65°F

COOLING SYSTEM

ELECTRICAL REQUIREMENTS

This unit requires a grounded, polarized 115 VAC, 60 Hz, 15 A power supply (normal household current).



Warranty

Please visit u-line.com to view this model's User Guide & Service Manual. All Specifications are subject to change without notice.