

**2224WC • 24" Wine Captain® Model • 2000 Series**

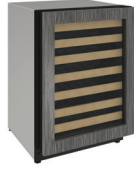
**FEATURES & BENEFITS**



STAINLESS FRAME



STAINLESS FRAME (LOCK)



INTEGRATED FRAME



INTEGRATED FRAME (STAINLESS HANDLELESS PANEL)\*



INTEGRATED SOLID



INTEGRATED SOLID (STAINLESS HANDLELESS PANEL)\*

**PERFORMANCE**

- Volume of 4.7 cu ft holds up to 43 wine bottles (750 ml)
- Digital Touch Pad Control is conveniently located on upper face of unit
- Temperature range: 38°F - 65°F
- Convection cooling system
- Rubber mounted compressor virtually eliminates vibration
- Exceeds 2019 energy standard by 56% (Tested according to 2019 Department of Energy - standard 10 C.F.R. section 430.23)

**INTERIOR/EXTERIOR**

- Black interior is illuminated with LED lighting that automatically turns off when the door is closed, or can be set to stay on for 3 hours
- Full extension black coated wine racks allow for easy access
- Wine racks accommodate a variety of bottle shapes and sizes, while fourth and fifth racks allow for larger diameter wine and champagne bottles
- LowE coated, argon gas filled, triple thermopane glass door provides protection from harmful UV Light
- 7/8" diameter stainless steel handle (not included on integrated models)
- The door swing on non-lock models is field reversible, and is shipped right-hand hinged
- Lock models must be ordered right-hand or left-hand hinged

**INTEGRATION**

- Solid natural beech wood fronts on wine racks can easily be stained to match surrounding cabinetry
- Robust, concealed and covered hinges with built-in door stop and closer
- Integrated model requires 3/4" custom panel of your choice, or can accept U-Line Euro Style Handleless Stainless Panel Accessory (must be ordered separately)
- Fixed grille can accept an integrated toe-kick
- Four independently adjustable leveling legs provide a precise undercounter fit

**MODEL DETAILS**

Model	Voltage/Hz	Door Swing	Finish	Shipping Weight
U-2224WCS-00A	115 / 60	Field Reversible	Stainless Frame	160 lbs
U-2224WCS-13A	115 / 60	Right-Hand Hinged	Stainless Solid (Lock)	160 lbs
U-2224WCS-15A	115 / 60	Left-Hand Hinged	Stainless Solid (Lock)	160 lbs
U-2224WCINT-00A	115 / 60	Field Reversible	Integrated Frame	157 lbs
U-2224WCINT-60A	115 / 60	Field Reversible	Integrated Solid	150 lbs

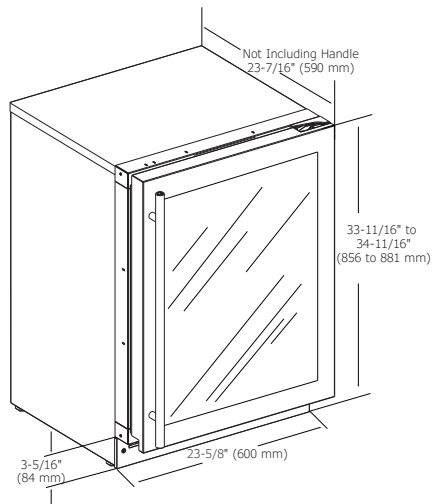
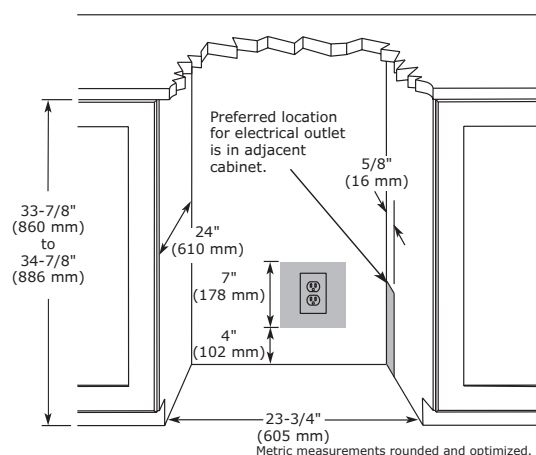
**ACCESSORIES**

Model	Description	Finish	Shipping Weight
U-ESPF60S*	Euro Style Handleless Panel, 24" Frame	Stainless	8 lb
U-ESP60S*	Euro Style Handleless Panel, 24" Solid	Stainless	12 lb

\*Installs on integrated models.

**2000 Series • 24" Wine Captain® Model • 2224WC**
**DIMENSIONS**

Dimensions shown apply to all finishes, including Integrated (INT) models with 3/4" integrated panel/frame installed.


**CABINET CUT-OUT**

**INSTALLATION NOTES**

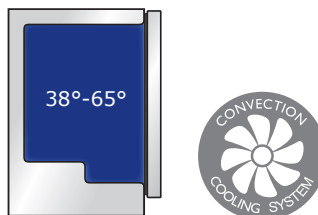
When installing adjacent to wall, ensure 2 1/2" clearance on hinged side for 90° door opening, allowing ample room for door handle.

No additional clearance around sides, top or rear of unit is needed for ventilation.

Do not obstruct front grille air flow.

**SPECIFICATIONS**

Model	2224WC
Amps: Running	1.2
Capacity: Average Volume (cu ft)	4.7
Capacity: Wine Bottle (750 ml)	43
Control Type	Digital Touch Pad
Dimensions: Product Depth	23 7/16" / 590 mm
Dimensions: Product Height	33 11/16" / 856 mm
Dimensions: Product Width	23 5/8" / 600 mm
Energy Consumption: Avg. Per Year	85 kWh
ENERGY STAR	N/A
Panel Height	30" / 762 mm
Panel Thickness	3/4" / 20 mm
Panel Type	2 3/4" / 70 mm Frame Panel or Solid Panel (-60 suffix)
Panel Width	23 1/2" / 595 mm
Product Weight: Max	150 lb
Refrigerant Type	R600a
Sabbath (Star K Certified)	Yes
Temperature Range	38°F - 65°F

**COOLING SYSTEM**

**ELECTRICAL REQUIREMENTS**

This unit requires a grounded, polarized 115 VAC, 60 Hz, 15 A power supply (normal household current).



Warranty

Please visit [u-line.com](http://u-line.com) to view this model's User Guide & Service Manual. All Specifications are subject to change without notice.