

2245R • 45 cm Solid Door Refrigerator • 2000 Series

FEATURES & BENEFITS



INTEGRATED SOLID



STAINLESS SOLID

PERFORMANCE	<ul style="list-style-type: none"> • Volume of 96 litres holds up to 79 bottles (330 ml) or 123 cans (330 ml) • Digital Touch Pad Control is conveniently located on upper face of unit • Temperature range: 1°C-7°C • Convection cooling system rapidly and efficiently takes items to the set temperature
INTERIOR/EXTERIOR	<ul style="list-style-type: none"> • Black interior is illuminated with LED Lighting • Four adjustable tempered glass shelves with 11 height positions • Full-extension, slide-out crisper drawer is removable for easy cleaning • Door swing is field reversible. Unit is shipped with door installed right-hand hinged
INTEGRATION	<ul style="list-style-type: none"> • To achieve a stainless steel finish, a Euro Style panel accessory must be ordered and installed on an integrated model. Euro Style Panel Accessory must be installed on corresponding unit type (Frame/Solid) • Robust, concealed and covered hinges with built-in door stop and closer • Integrated model requires 20 mm custom door panel • Fixed grille can accept an overlay plinthe • Four independently adjustable leveling legs provide a precise undercounter fit

MODEL DETAILS

Model	Voltage/Hz	Door Swing	Finish	Shipping Weight
U-2245RINT-00B	220-240 / 50	Field Reversible	Integrated Solid	59 kg

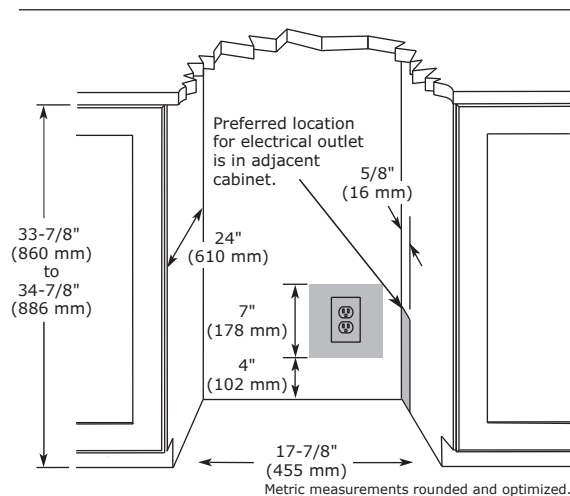
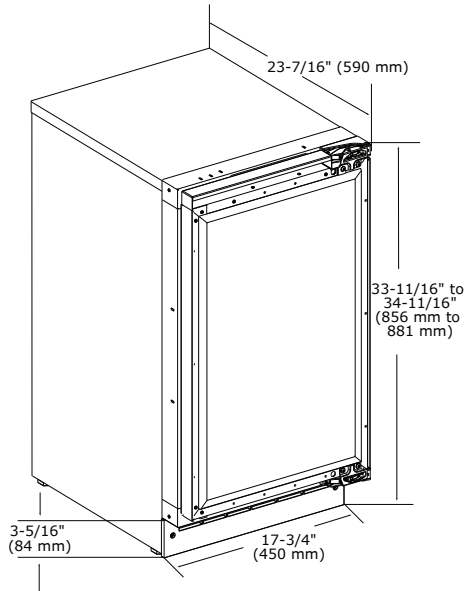
ACCESSORIES

Model	Description	Finish	Shipping Weight
U-ESP45S*	Euro Style Panel Solid 45 cm	Stainless Solid	4 kg

*Installs on integrated models.

2000 Series • 45 cm Solid Door Refrigerator • **2245R**
NICHE / RECESS

Dimensions shown apply to Integrated (INT) models with a 20 mm integrated panel/frame installed (applies to U-Line's Euro Stainless Steel Panel Accessory).


INSTALLATION NOTES

No additional clearance around sides, top or rear of unit is needed for ventilation.

Do not obstruct front grille air flow.

*Must be installed in a climate controlled environment and operate within the temperatures designated in U-Line's Limited Warranty.

Please visit U-Line.com to view this model's User Guide. All specifications are subject to change without notice.

PRODUCT FICHE

Model	2245R
Category	3
Energy efficiency class on a scale of A+++ to G	A+
Energy consumption in kWh per year	115 kWh
Total volume: fridge compartment (net)	96 L
Total volume: wine compartment (net)	N/A
Total volume: freezer compartment (net)	N/A
Frost-free compartment	Yes
Temperature rise time in event of blackout (hrs)	N/A
Climate class	ST
Noise emissions	46 dBA
Dimensions: width	450 mm
Dimensions: depth	590 mm
Dimensions: height	856 mm
Net weight: solid door	55 kg
Net weight: glass door	N/A
Panel type	Solid Panel (-00 Suffix)
Panel thickness	20 mm
Panel height	762 mm
Panel width	445 mm
Rated frequency	50 Hz
Rated voltage	220-240 v
Refrigerant charge	58 g
Foam blowing agent	HFO-1233zd
Marine capable	Yes*

COOLING SYSTEM
