

2260DWR • 60 cm Drawer Model • 2000 Series

FEATURES & BENEFITS



INTEGRATED SOLID



INTEGRATED SOLID (STAINLESS HANDLELESS PANEL)*

PERFORMANCE	<ul style="list-style-type: none"> • Volume of 127 litres holds up to 90 bottles (330 ml) or 142 cans (330 ml) • Temperature range: 1°C - 21°C • Digital Touch Pad Control is conveniently located on upper face of unit • Convection cooling system rapidly and efficiently takes items to the set temperature
INTERIOR/EXTERIOR	<ul style="list-style-type: none"> • Black interior is illuminated with LED lighting • Equipped with 2 full-extension soft-close drawers
INTEGRATION	<ul style="list-style-type: none"> • Fixed grille can accept a custom integrated toe-kick • Four independently adjustable leveling legs provide a precise undercounter fit

MODEL DETAILS

Model	Voltage/Hz	Door Swing	Finish	Shipping Weight
U-2260DWRINT-00A	220-240 / 50	Drawers	Integrated Solid	72 kg

ACCESSORIES

Model	Description	Finish	Shipping Weight
U-DWRESP60S*	Euro Style Handleless Panel, 60 cm Solid Drawers (2 panels)	Stainless Solid	5 kg
U-POWERCORD-2056	Power Cord, 220-240v Great Britain/Ireland	Black	1 lb (0,5 kg)
U-POWERCORD-2667	Power Cord, 220-240v Continental Europe	Black	1 lb (0,5 kg)
U-POWERCORD-2256	Power Cord, 220-240v Australia/New Zealand	Black	1 lb (0,5 kg)
U-POWERCORD-3071	Power Cord, 220-240v China	Black	1 lb (0,5 kg)
U-POWERCORD-3111	Power Cord, 220-240v India	Black	1 lb (0,5 kg)

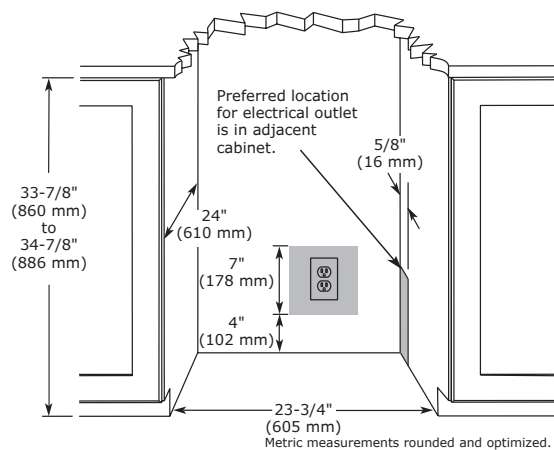
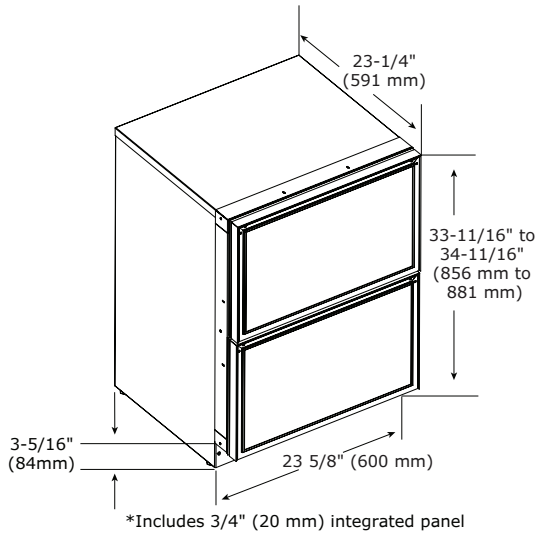
Power cord type must be specified with each U-Line order; no additional cost for power cord.

*Installs on integrated models.

2260DWR • 60 cm Drawer Model • 2000 Series

NICHE / RECESS

Dimensions shown apply to all finishes, including Integrated (INT) models with 3/4" integrated panel/frame installed.



INSTALLATION NOTES

No additional clearance around sides, top or rear of unit is needed for ventilation.

Do not obstruct front grille/face air flow.

* Must be installed in a climate controlled environment and operate within the temperatures designated in this product's User Guide.

Please visit u-line.com to view this model's User Guide. All Specifications are subject to change without notice.

PRODUCT FICHE

Model	2260DWR
Category	3
Energy efficiency class on a scale of A+++ to G	A+
Energy consumption in kWh per year	116 kWh
Total volume: fridge compartment (net)	127 L
Total volume: wine compartment (net)	N/A
Total volume: freezer compartment (net)	N/A
Frost-free compartment	Yes
Temperature rise time in event of blackout (hrs)	N/A
Climate class	T or ST
Noise emissions	46 dBA
Dimensions: width	600 mm
Dimensions: depth	590 mm
Dimensions: height	856 mm
Net weight: solid door	67 kg
Net weight: glass door	N/A
Panel type	Solid Panel
Panel thickness	20 mm
Panel height	379 mm
Panel width	595 mm
Rated frequency	50 Hz
Rated voltage	220-240 v
Refrigerant charge	38 g
Foam blowing agent	HFO-1233zd

COOLING SYSTEM

