



Origins Series

Installation Guide



15R Refrigerator and 15WC Wine Captain®

www.U-LineService.com

Phone (414) 354-0300 • FAX (414) 354-7905
Service & Parts Tech Lines Phone (800) 779-2547 • FAX (414) 354-5696
OnlineService@U-Line.com

©2005 U-Line Corporation
02/2005

Contents

Exterior Cleaning 4
 Cut-Out Dimensions 4
 Product Dimensions 5
 Door Swing/Clearances Information 5
 Reversing the Door..... 6
 Other Site Requirements 7
 Side-By-Side Installation Instructions 8
 Custom 1/4" Thick Door Panel Insert 8
 Checking Door Alignment 9
 Adjusting Door Alignment 9
 Electrical Specifications 10
 Leveling Information 10
 Installation Tip 10
 Installation of the 15R/15WC 11
 Grille Installation 11
 Glass Shelf Installation 11
 Initial Start-Up 12
 Start-Up Troubleshooting 12
 Service Information 12

1 Follow Safety Precautions

IMPORTANT

PLEASE READ all instructions completely before attempting to install or operate the unit.

- This unit requires connection to a grounded (three-prong), polarized receptacle that has been placed by a qualified electrician in accordance with applicable electrical codes.

Safety Alert Definitions

Safety items throughout this guide are labeled with a Danger, Warning or Caution based on the risk type:

 DANGER

Danger means that failure to follow this safety statement will result in severe personal injury or death.

 WARNING

Warning means that failure to follow this safety statement could result in serious personal injury, or death.

 CAUTION

Caution means that failure to follow this safety statement may result in minor or moderate personal injury, property or equipment damage.

General Precautions

Use this appliance for its intended purpose only and follow these general precautions along with those listed throughout this guide:

WARNING

SHOCK HAZARD — Electrical Grounding Required.

- **Keep the unit unplugged throughout installation except during testing.**
- **Never remove the round grounding prong from the plug and never use a two-prong grounding adapter.**
- **Never use an extension cord to connect power to the unit.**
- **Always keep your working area dry.**

CAUTION

- Use care when moving and handling the unit. Use gloves to prevent personal injury from sharp edges.
- Do not lift the unit by the door or door handle.
- Do not install the unit behind closed doors or in any way that would obstruct airflow to the front grille, which may cause the unit to malfunction.

2 Inspect and Plan

You have received a carton containing your 15R Refrigerator or 15WC Wine Captain® with a package inside containing a User Manual and a Product Registration Card. Complete and mail the Product Registration Card or register online at www.U-LineService.com. Once your unit is installed, keep the User Manual and this Installation Guide in a safe place for future reference.

15R units are available in Black vinyl clad cabinets with matching doors and in Stainless models with a stainless steel door panel, brushed aluminum doorframe and handle, and a black cabinet. All 15R unit doors have a slightly contoured handle across the top and are reversible. The black doors have recessed front panels that will accept a custom 1/4 inch thick door panel. 15R units have three full and one “half” tempered glass shelves.

15WC units are Black or Stainless and have a vinyl-clad cabinet and a framed, reversible, tinted glass door with a slightly contoured handle across the top and a lock. Stainless models have a black cabinet and grille and a brushed aluminum doorframe and handle. All 15WC units have five fixed wine racks and one “half” tempered glass shelf.

Please carefully follow the directions that apply to your unit and your intended design.

Tools/Materials Required

- Screwdrivers — slotted and Phillips head
- 1/4-inch thick door panel material and cutting tools (15R units)

Inspection

Unwrap and inspect the unit on a flat, level surface capable of supporting its entire weight.

Exterior Cleaning

(As Required)

Black Models:

- Black surfaces may be cleaned with a mild detergent and warm water solution. Do not use solvent-based or abrasive cleaners. Use a soft sponge and rinse with clean water. Wipe with a soft, clean towel to prevent water spotting.

Stainless Models:

- Stainless door panels, handles and frames can discolor when exposed to chlorine gas, pool chemicals, salt water or cleaners with bleach.
- Clean any glass door fronts with a non-chlorine glass cleaner.
- Keep your Stainless unit looking new by cleaning with a good quality all-in-one stainless steel cleaner/polish on a monthly basis. For best results use Claire Stainless Steel Polish and Cleaner, which can be purchased from U-Line Corporation. (The part number is 173348.) Comparable products are acceptable. Frequent cleaning will remove surface contamination that could lead to rust. Some installations may require cleaning on a weekly basis.
- **Do not clean with steel wool pads.**
- **Do not use stainless steel cleaners/polishes on any glass surfaces.**
- **Do not use cleaners that are not specifically intended for stainless steel on stainless surfaces (this includes glass, tile and counter cleaners).**
- If any surface discolors or rusting appears, clean it quickly with Bon-Ami or Barkeepers Friend Cleanser and a non-abrasive cloth. Always clean in the direction of the grain. Always finish this process with Claire Stainless Steel Polish and Cleaner or comparable product to prevent further problems.
- **Use of abrasive pads such as Scotchbrite will cause the graining in the stainless to become blurred.**
- Rust that is allowed to linger can penetrate into the surface of the stainless steel and complete removal of the rust may not be possible.

3 Prepare Site

Your U-Line product has been designed for either free-standing or built-in installation. When built-in, your unit does not require additional air space for top, sides or rear. However, the front grille must NOT be obstructed and clearance is required for electrical connection in the rear.

Note: Unit can NOT be installed behind a closed cabinet door.

Cut-Out Dimensions

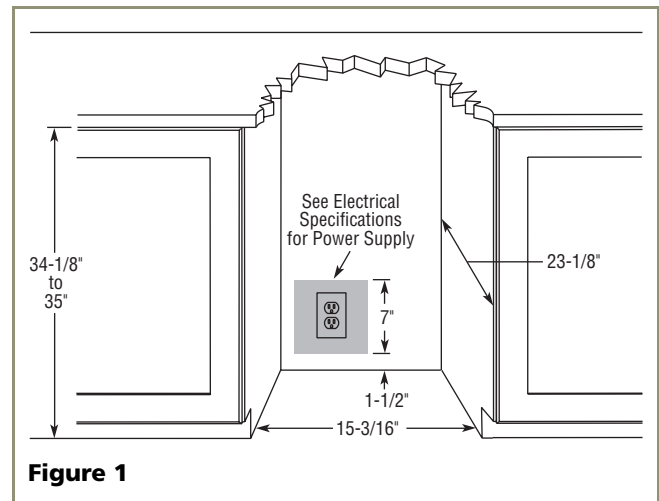
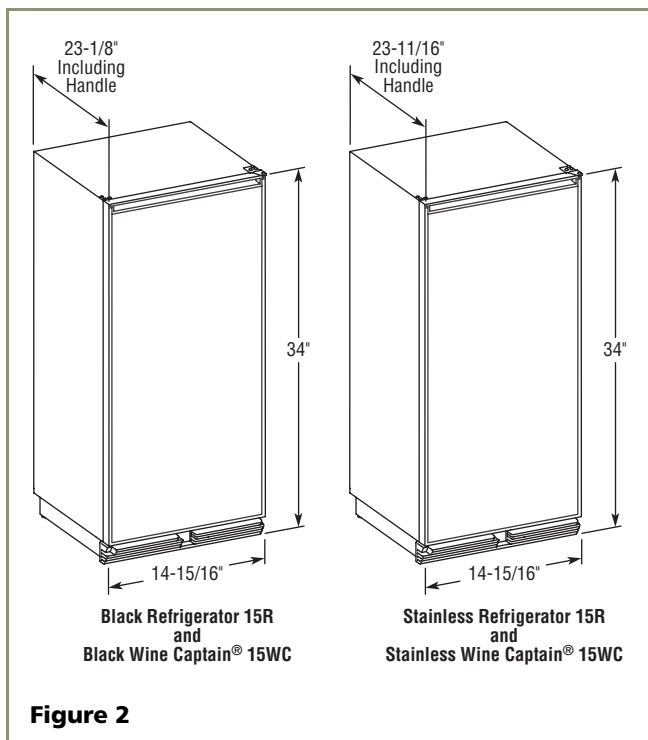


Figure 1

Follow the cut-out drawing in **Figure 1**. The 15-3/16" width allows 1/4" for ease in installation and removal of the unit. 24" is the counter depth in most installations. The unit is 23-1/8" deep including the door and *not* the handle on Stainless models and 23-1/8" deep including the handle on Black models (see **Figure 2**).

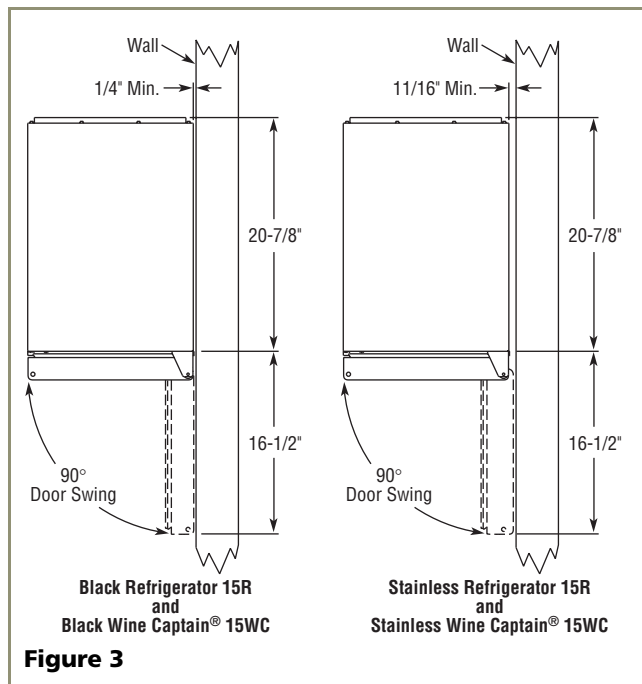
Product Dimensions



Please note that the unit has adjustable feet that can add one additional inch to height during leveling or to match adjacent cabinets (see **Figure 22** on **Page 10**).

Door Swing/Clearances Information

Black 15R units have a zero clearance for the door to open 90° (see **Figure 3**). U-line recommends a minimum clearance of 1/4" for black units and 11/16" for Stainless units to accommodate the handle if the unit is installed next to a wall or similar type of structure.



Reversing the Door

All units may be left- or right-hand opening.

Black 15R Units

Note: The grille should not yet be installed. If it has been installed, remove it for door reversing. See **Page 11**.

To reverse the door on Black 15R Refrigerator models:

1. Remove top hinge from cabinet (three screws). See **Figure 4**. Hold door to keep it from falling.
2. Lift the door off the bottom hinge.

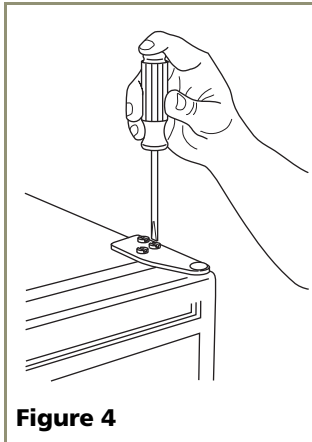


Figure 4

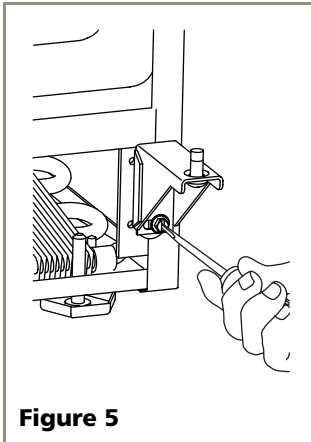


Figure 5

3. Remove bottom hinge from cabinet (two screws). See **Figure 5**. Remove screws on opposite side of cabinet (**Figure 6**). Note that there may be a nut behind one or both screws on either side.

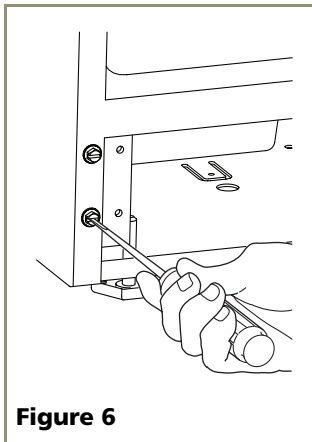


Figure 6

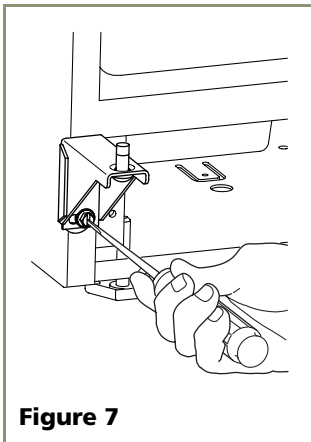


Figure 7

4. Install hinge on opposite side, bottom of cabinet. See **Figure 7**. Replace nut on back side where installed. Align hinge outer edge with cabinet before tightening screws.

5. Relocate plastic spacer/bushing on bottom of door to opposite side, and place door on bottom hinge pin. See **Figure 8**. Clean out bushing hole in door bottom with a screwdriver if necessary.
6. Remove plastic hole plug from door handle and relocate on opposite side. See **Figure 9**.

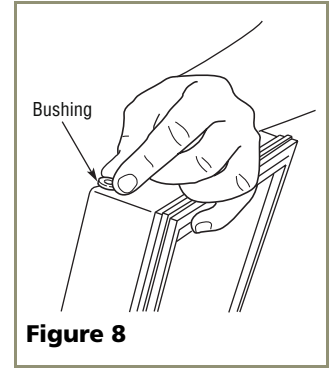


Figure 8

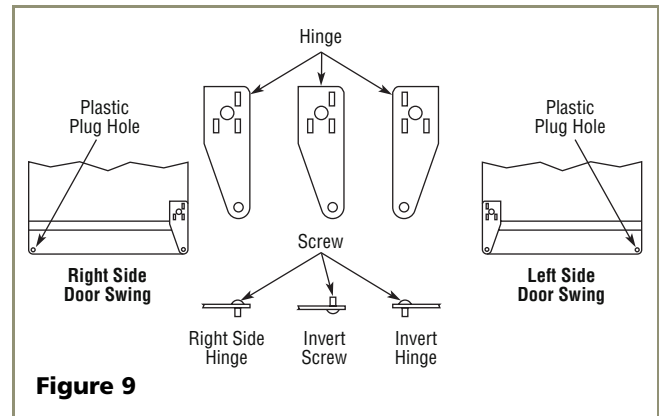


Figure 9

7. Remove pivot screw from top hinge, invert screw and reinstall pivot screw in top hinge. See **Figure 9**.
8. Remove three plastic screw plugs from hinge holes, top of cabinet, opposite side. Be careful not to scratch cabinet. See **Figure 10**.
9. Place door on lower hinge pin. Invert and install upper hinge on door.

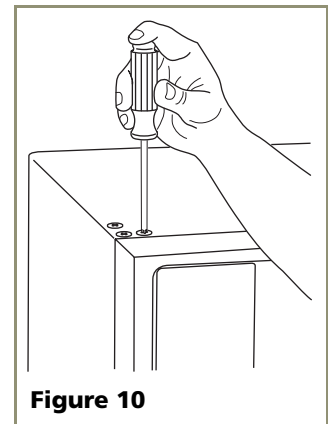
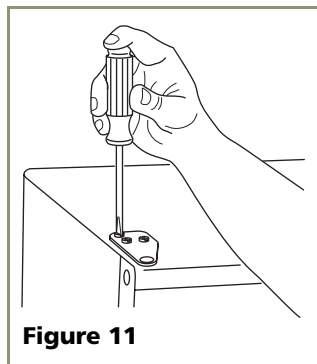


Figure 10

- Fasten upper hinge to unit (three screws). Partially tighten screws. See **Figure 11**.

- Adjust door to assure proper seal. Tighten upper and lower hinge screws securely.

- Replace three plastic plugs removed in Step 8 into holes on top of unit. Replace screws in holes in bottom of unit on opposite side.

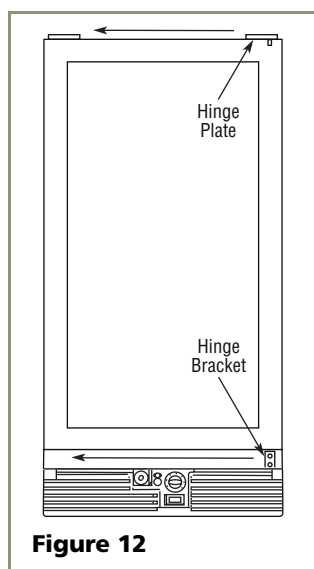
**Figure 11**

Stainless 15R Units and All 15WC Units

Note: The grille should not yet be installed. If it has been installed, remove it for door reversing. See **Page 11**.

Stainless 15R Refrigerator models and Black and Stainless 15WC Wine Captain models are reversible by moving the hinge hardware to the opposite side (**Figure 12**) as follows:

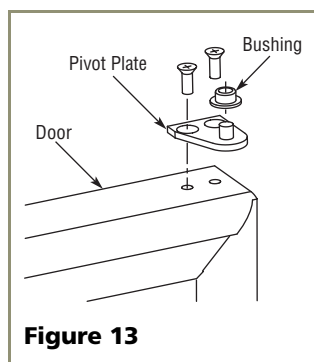
- Remove the top hinge plate (three screws) from cabinet and save.
- Remove the bushing from the top pivot plate's post and save. See **Figure 13**.
- Being careful not to lose the bottom pivot plate's bushing (**Figure 14**), remove the door by lifting it off the bottom hinge bracket. Save the bushing.

**Figure 12**

- Remove bottom hinge bracket from cabinet (two screws). See **Figure 5**. Remove screws on opposite side of cabinet (**Figure 6**). Note that there may be a nut behind one or both screws on either side.

- Install hinge bracket on opposite side, bottom of cabinet. See **Figure 7**. Replace nut on back side where installed. Align hinge outer edge with cabinet before tightening screws.

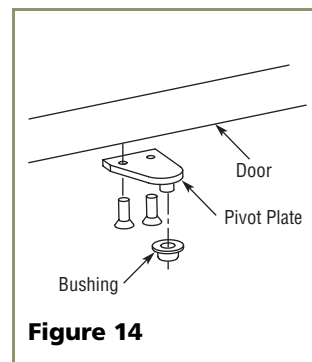
- Remove the top pivot plate from the door (two screws). Invert and install it on the bottom of the opposite side of the door.

**Figure 13**

- Remove the bottom pivot plate from the door (two screws). Invert and install it on the top of the opposite side of the door.

- Locate the bushing saved in Step 3. Holding the bushing in place, lift the door onto the newly located bottom hinge bracket. See **Figure 14**.

- Onto the new top pivot plate's post, assemble the bushing saved in Step 2 and the hinge plate saved in Step 1. Install three screws to attach new top hinge plate to cabinet.

**Figure 14**

- Adjust door to assure proper seal.

Other Site Requirements

Power Supply

The unit requires a grounded and polarized 115 VAC, 60 Hz, 15A circuit (normal household current). See Electrical Specifications on **Page 10**.

Environmental Requirements

The surrounding air temperature must be at least 50°F (10°C) but must not exceed 110°F (40°C). Units may be installed outdoors in a covered area. The unit must not be located near heat-generating equipment or in direct sunlight.

Side-By-Side Installation Instructions

For a complete refreshment center, install two of the 15 series units side by side: 15R and 15WC.

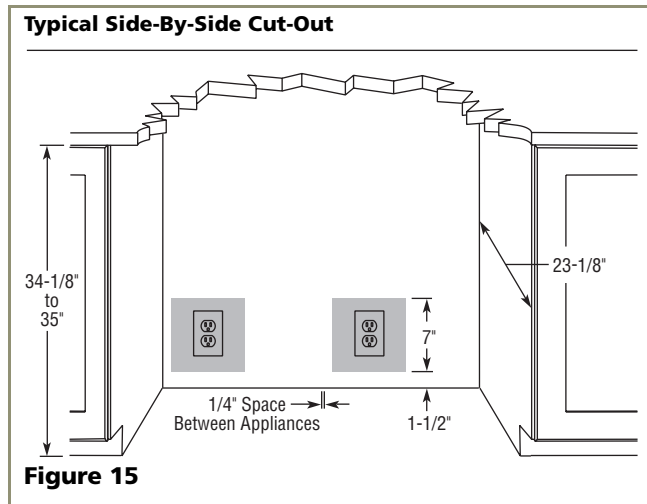
- Cut-out width for a side-by-side installation is the total of the widths listed under *Cut-Out Dimensions* in each unit's Installation Guide.

For example:

Placing a 15R next to a 15WC would require a cut-out width of:

$$15\text{-}3/16" + 15\text{-}3/16" = 30\text{-}3/8"$$

- No trim kit is required. However, 1/4-inch space needs to be maintained between the units to ensure unobstructed door swing.
- Units must operate from separate, properly grounded electrical receptacles placed according to each unit's *Electrical Specifications*.



4 Prepare/Install Door Panel

15R Refrigerators will accept a Custom 1/4" Thick Insert to harmonize with or accent the surrounding decor.

If this treatment is not included in this installation, go on to **5 Adjust Door**.

Custom 1/4" Thick Door Panel Insert

(15R Refrigerator Units Only)

Door Panel Preparation

A custom door panel can be inserted into the doorframe. Custom door panels can be flat or raised, as long as the maximum panel thickness where inserted into the door reveal (channel) is 1/4"-thick. For raised panels, the depth of the reveal is 1/4" on all four sides.

IMPORTANT

Raised panels will reduce the door's 90° swing/zero clearance if the unit is installed next to a wall or similar type of structure (see **Page 5**).

Cut the panel insert to the following dimensions.

Custom 1/4" Dimensions for *Black units*:

Width: 13-15/16"

Height: 28-5/32"

Custom 1/4" Dimensions for *Stainless units*:

Width: 13-15/16"

Height: 29-13/32"

The door panel must not weigh more than 20 lbs.

Door Panel Installation

Install the insert as follows:

⚠ CAUTION

Use care when handling the insert. Insert edges may be sharp.

1. Remove top hinge from cabinet (three screws). See **Figure 14**. Hold door to keep it from falling.
2. Lift the door off the bottom hinge.

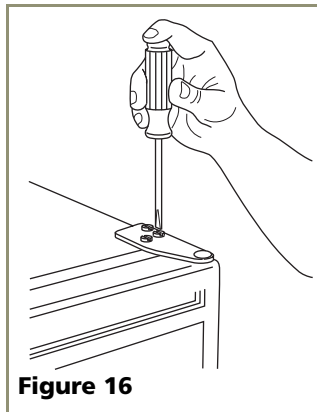


Figure 16

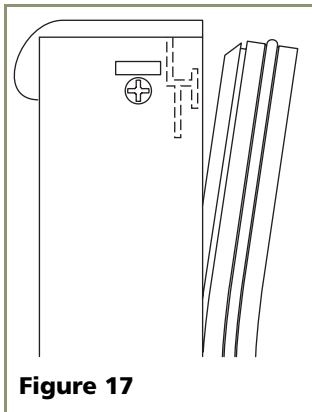


Figure 17

3. Pull door gasket out of groove (top edge of door only). Start in the middle and pull outward, moving toward the edge (see **Figure 16**). This may take some force.
4. Remove two outside screws holding door handle. Slightly separate door handle from door (see **Figure 17**).
5. Pull handle up and off.

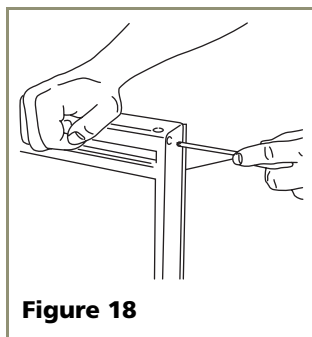


Figure 18

IMPORTANT

Use care not to bend light switch bracket (where installed), located on door bottom when installing door insert. Do not set door on bottom edge when pushing insert into place.

6. Slide custom door panel insert into 1/4-inch channel in door front.
7. Holding door gasket out of the way, replace handle on door, making sure it is seated properly on insert and that screw holes line up.
8. Install two small screws removed in **Step 4**.
9. Starting at the corners and working inward, push door gasket into place on door.
10. Place door on bottom hinge and install upper hinge.
11. Go on to **5 Adjust Door**.

5 Adjust Door

Checking Door Alignment

The unit's door is aligned at the factory before shipment. However, its alignment could have been disturbed during shipment or during door panel installation.

IMPORTANT

Properly aligned, the door's gasket should be firmly in contact with the cabinet all the way around the door (no gaps).

1. Carefully examine the door's gasket to assure that it is firmly in contact with the cabinet.

Note: When inspecting door alignment, make sure the light switch bracket makes contact with the light switch plunger. Also make sure the door gasket is not pinched on the hinge side of the door.

2. If the door is properly aligned, go on to **6 Prepare Power Supply**. If it is not, use the following procedure.

Adjusting Door Alignment

15R and 15WC Units

1. Loosen (do not remove) top and bottom hinge screws. See **Figure 19**.
2. Align door squarely with cabinet. Make sure gasket is firmly in contact with cabinet all the way around the door (no gaps).
3. Tighten bottom hinge screws.
4. Tighten top hinge screws. Go on to **6 Prepare Power Supply**.

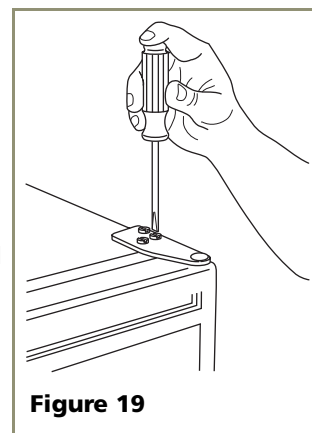


Figure 19

6 Prepare Power Supply

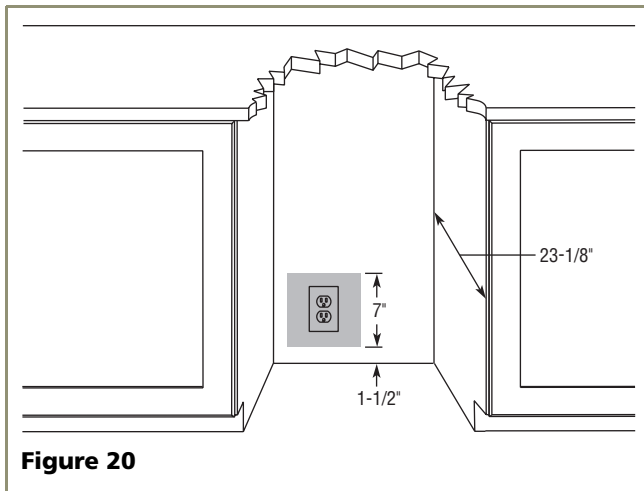
Electrical Specifications

⚠ CAUTION

Electrical installation must observe all state and local codes. This unit requires connection to a grounded (three-prong), polarized receptacle that has been placed by a qualified electrician.

The unit requires a grounded and polarized 115 VAC, 60 Hz, 15A power supply (normal household current). An individual, properly grounded branch circuit or circuit breaker is recommended. GFCI (ground fault circuit interrupter) is usually not required for fixed location appliances and is not recommended for your unit because a GFCI could be prone to nuisance tripping. However, be sure to consult your local codes.

See **Figure 20** for recommended receptacle location.



⚠ WARNING

SHOCK HAZARD — Electrical Grounding Required.

- **Never remove the round grounding prong from the plug and never use a two-prong grounding adapter.**
- **Never use an extension cord to connect power to the unit.**

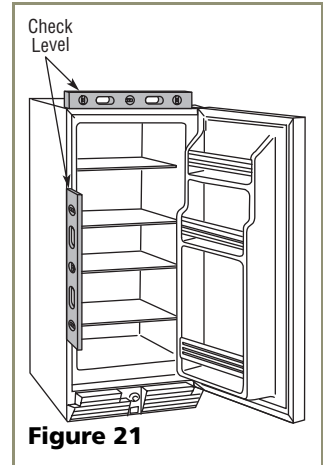
Go on to **7 Level the Unit**.

7 Level the Unit

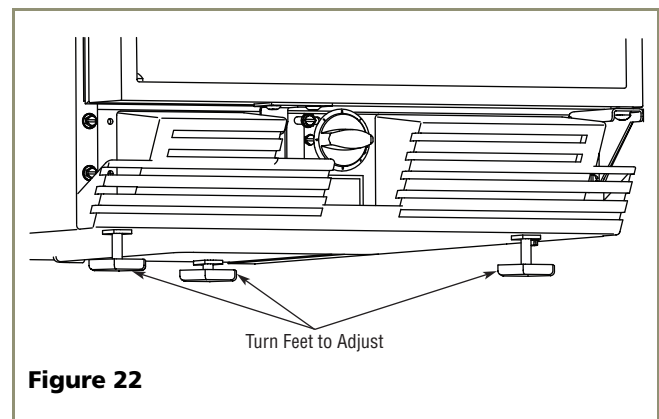
Leveling Information

Note: It is recommended that the unit is level.

1. Use a level to check the levelness of the unit from front to back and from side to side. Level should be placed along top edge and side edge as shown (see **Figure 21**).



2. If the unit is not level, adjust the feet on the corners of the unit as necessary (see **Figure 22**).



3. Check the levelness after each adjustment and repeat the previous steps until the unit is level. Go on to **8 Install the Unit**.

Installation Tip

If the room floor is higher than the floor in the cut-out opening, adjust the rear feet to achieve a total unit rear height of 1/8" less than the opening's rear height. Shorten the unit height in the front by adjusting the front feet. This allows the unit to be gently tipped into the opening. Readjust the front feet to level the unit after it is correctly positioned in the opening.

8 Install the Unit

Installation of the 15R/15WC

1. Plug in the power cord.
2. Gently push the unit into position. Be careful not to entangle the electrical cord.
3. Re-check the leveling, from front to back and side to side. Make any necessary adjustments. The unit's top surface should be approximately 1/8" below the countertop.

Grille Installation

1. Locate and remove the grille screw from the cabinet, using a standard blade screwdriver (or a 1/4" nutdriver). See **Figure 23**.

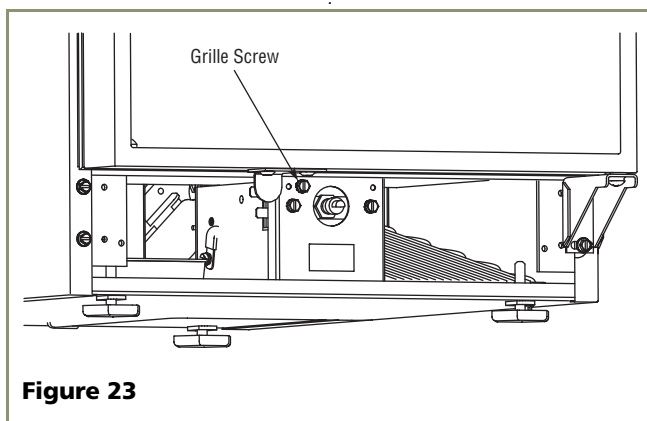


Figure 23

2. Remove the control knob by pulling it away from the cabinet.
3. Identify the grille screw hole on the grille itself. It is located toward the top of the middle recessed section of the grille.

4. Place the two hook-hinges (located on the rear bottom side of the grille) onto the front lip of the unit base. Swing the grille up into position, aligning the grille screw hole on the grille to the grille screw hole on the cabinet. See **Figure 24**.

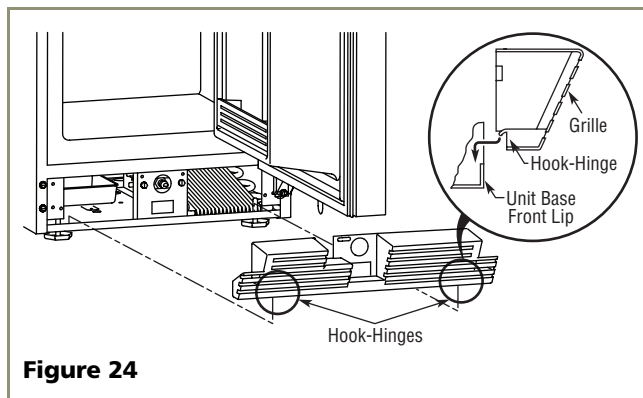


Figure 24

5. Insert the screw. Do not overtighten.
6. Reinstall control knob.

Glass Shelf Installation

(15R Refrigerator Only)

1. Carefully remove the glass shelves from the packaging.
2. Slide the shelves onto lower sets of ribs, making sure the decorative graphics are on the underside of the shelves. White edge strips go toward the rear and silver edge strips go toward the front. See **Figure 25**.



Figure 25

Origins Series

9 Start-Up for the First Time

Initial Start-Up

The unit is shipped with the control preset to a mid-point setting between 4 and 5. Assure that setting was not altered in shipment. No other adjustments should be necessary at this time. For information about Adjusting the Temperature Control, see the User Manual.

Start-Up Troubleshooting

Q: Problem

Unit does not appear to turn on when plugged in.

A: Solution

Make sure outlet has power (circuit breaker has not tripped).

Q: Problem

The light stays on when the door is closed.

A: Solution

On 15WC units make sure on/off switch is turned OFF. For all units, check to see that light switch actuator bracket is contacting the light switch properly.

IMPORTANT

See the User Manual's *Troubleshooting Guide* for more solutions.

Who to Call

Service Information

If the need for service arises, contact the dealer from whom the unit was purchased. State the Model Number and Serial Number and explain the problem. The Model and Serial Number plate is located inside unit at upper right hand corner.

If you need to locate a service company, you can go online at **www.U-LineService.com** and search for a service company by zip code.

For more than four decades, U-Line has distinguished itself as the leader in built-in undercounter ice making, refrigeration and wine storage appliances.

Echelon™ SERIES / *Origins* SERIES

U-Line Corporation, located in Milwaukee, WI, is a family operated manufacturer of built-in undercounter icemakers, Combo® icemaker/refrigerators, Wine Captain® wine storage units, refrigerators, refrigerated drawers and refrigerator/freezers.