

2000 Series Overlay Door Panel Preparation and Installation Instructions



U-2115RB-00

U-2115RW-00

U-2175RB-00

U-2175RCB-00

U-2175RCB-02

U-2175RCW-00

U-2175RCW-01

U-2175RFB-00

U-2175RFW-00

U-CLR2160B-00

U-CLR2160B-40

U-CLR2160W-00

U-CLR2160W-40

Table of Contents

Safety Precautions	
Safety Alert Definitions.....	1
Overlay Door Panel	
Door Panel Preparation.....	2
Installation Instructions	
Removing Existing Door.....	2
Preparing the Door Frame for Overlay.....	3
Panel Installation.....	3
Door Installation.....	3
Installing the Door.....	4
Checking Door Alignment.....	5
Adjusting Door Alignment.....	5

Safety Precautions

Safety Alert Definitions

Throughout this guide are safety items labeled with a Danger, Warning or Caution based on the risk type:



Danger means that failure to follow this safety statement will result in severe personal injury or death.



Warning means that failure to follow this safety statement could result in serious personal injury or death.



Caution means that failure to follow this safety statement may result in minor or moderate personal injury, property or equipment damage.

Overlay Door Panel

Door Panel Preparation

A full overlay door panel completely covers the door frame and handle to give you a built-in appearance. See your U-Line dealer for the optional Full Overlay Door Panel Kit.

Full Overlay Door Panel Kit Part Number

2175	Black	U-OL2175B
2175	White	U-OL2175W
2115 & 2160	Black	U-OL2115B
2115 & 2160	White	U-OL2115W

Included In Kit:

- 1x Replacement Handle
- 2x Pivot Plate
- 1x Overlay Cap
- 8x #6x2" Drywall Screw
- 2x 8-32 x 3/8" Screws
- 2x Hinge Plates
- 1x Door Closer
- 2x Pivot Posts
- 8x 8-32 x 1/2" Screws

NOTICE

- The door panel must not weigh more than 20 lbs.
- It is important to ensure that all drilled holes are drilled to the correct depth in order to avoid splits in the wood when hardware is installed.
- Rear view of wood panel for right-hand hinge shown. Use mirror image for left hand hinges.
- Appliance will need up to 34-1/2" to the under side of the counter to leave room for leveling adjustments.

1. Determine cabinet toe kick height, by measuring the difference between the surface the appliance will rest on and the bottom of the adjacent cabinetry. Adjust panel height according to the height of you cabinetry's Toe Kick.
2. Cut the overlay to the dimensions in **Table A & B**. The thickness of the door must be 0.75" minimum.

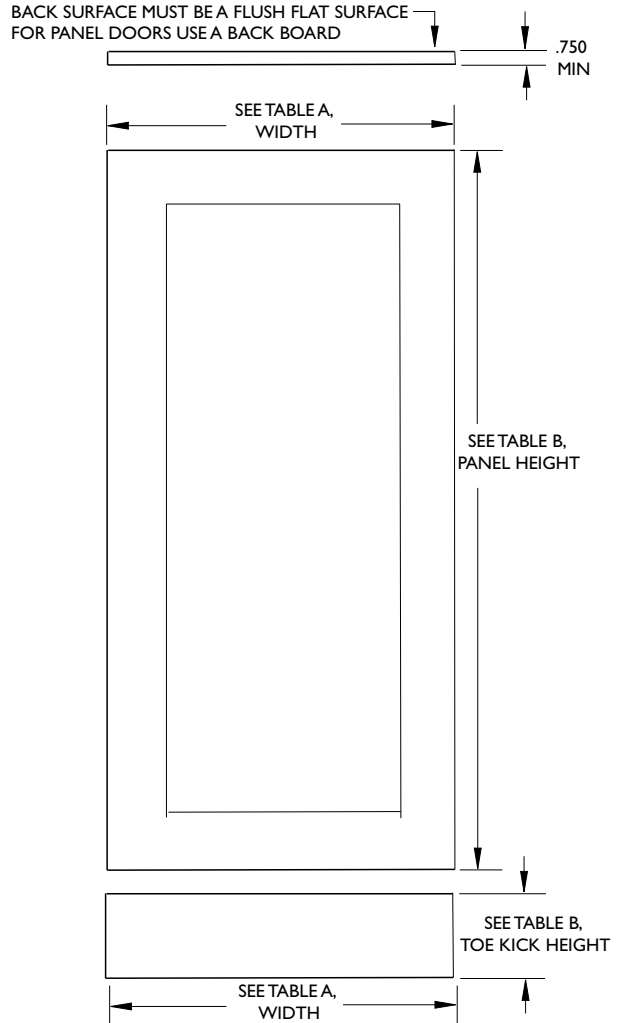
Table A (Width)

Model	Width
2175	23-3/4"
2115 & 2160	14-3/4"

Table B (Height)

Toe Kick	Panel Height	Toe Kick	Panel Height
3-3/4"	29-3/4"	4-1/4"	29-3/8"
3-7/8"	29-3/4"	4-3/8"	29-1/4"
4"	29-5/8"	4-1/2"	29-1/4"
4-1/8"	29-1/2"		

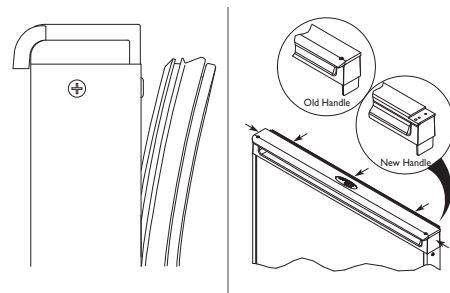
Note: **Table B** dimensions will vary based on the level of the floor. If floor is uneven, cut panel to the next longer dimension and adjust level legs to achieve proper fit.



Installation Instructions

Removing Existing Door

1. Remove the door shelves by first pulling shelves at a 45° angle, then straight out.
2. Remove the top hinge screw pin (Phillips screwdriver). Remove the door by tilting forward and lifting off the bottom hinge pin.



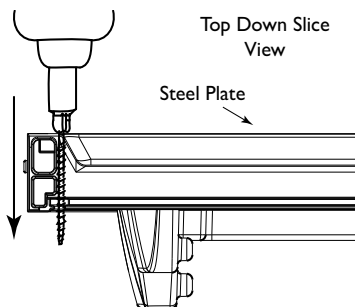
3. Remove door gasket completely from door. Start in a corner and pull outward. This may take some force. Set gasket down on a flat surface for later installation.

- Remove the two screws located on both sides of the handle. Do not discard screws.
- Remove the handle and discard. (This handle will be replaced with the overlay handle included in the Full Overlay Door Panel Kit.)
- If present, remove black / white vinyl clad insert and cardboard backer.
- Install the replacement Door Handle using the two screws removed in step 4.

Preparing the Door Frame for Overlay

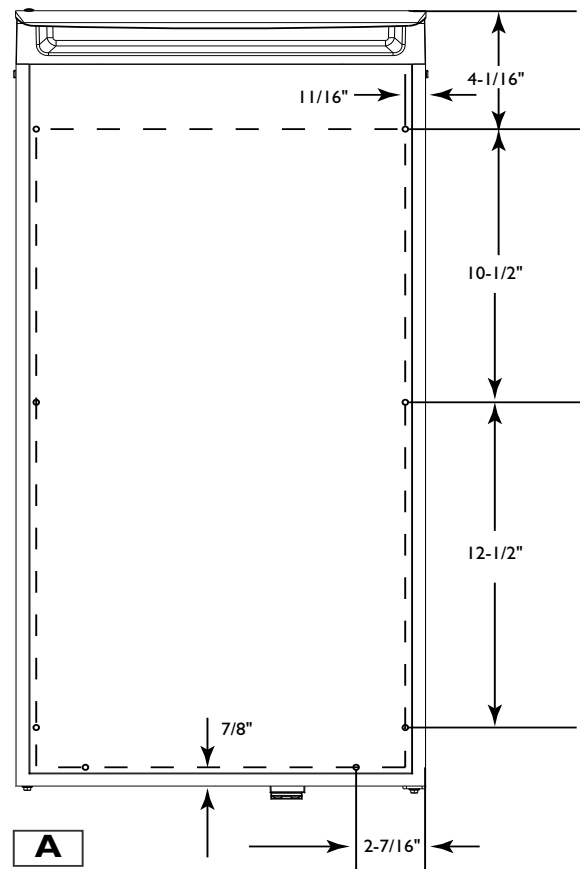
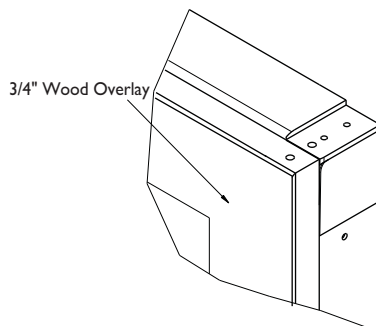
You have received your door with or without holes pre-punched into the galvanized steel panel. If your panel does not have pre-punched holes, please reference diagram **A** for hole locations.

- Lay the door down on a flat surface with the galvanized steel panel facing upwards. If your unit was equipped with door shelves, it may be helpful to prop up both door sides with 4x4's to keep the unit from pivoting.
- Using a 9/64" drill bit, drill through the steel panel and frame using the holes in the steel panel as a guide, or the dimensions provided in diagram **A** if your panel did not come pre-punched. Be sure to drill completely through frame material.

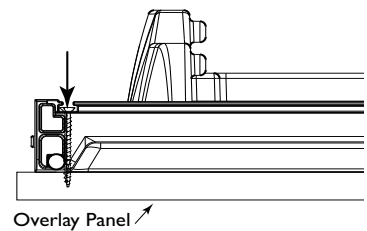
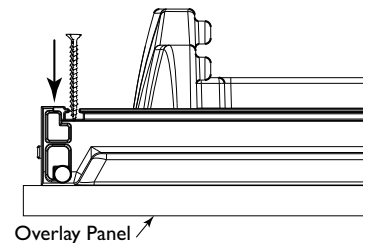


Panel Installation

- Lay prepared panel face down on a flat clean surface.
- Carefully lay door down on top of panel, steel plate side down.
- Line the top of the panel flush with the notch for the top pivot plate on the replacement handle.



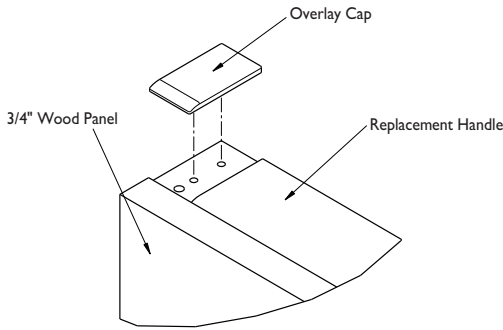
- Using a 7/64" drill bit, drill 8 pilot holes into the wood panel 3/8" deep.
- Locate the 8 #6x2" screws provided in the overlay panel install kit.
- Using a Phillips head bit, place one screw into each of the 8 pilot holes and screw down.
- Be sure the screws force their way past the opening on the gasket channel and sit flush against the bottom of the gasket channel.
- Starting at the corners, re-install the gasket into the gasket channel in the frame. Make sure the gasket is fully seated, this may take some force.



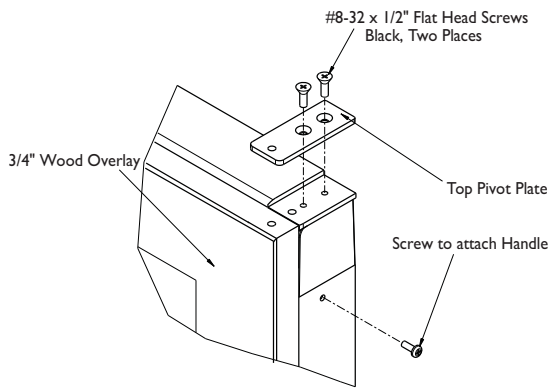
Door Installation

- Remove the existing bottom pivot plate and replace with the Full Overlay pivot plate.

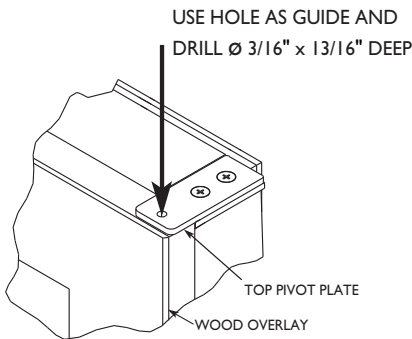
- Attach Overlay cap to door, opposite side of where hinges will be, see below.



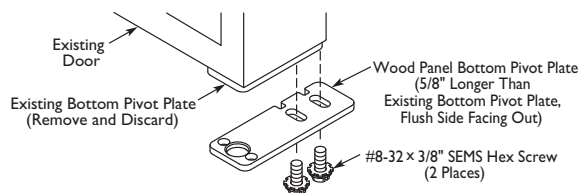
- Attach replacement Top Pivot Plate to door, on the side where hinges will be. Use the two #8-32 x 1/2" Flat Head Phillips screws (Black) supplied with kit, see below.



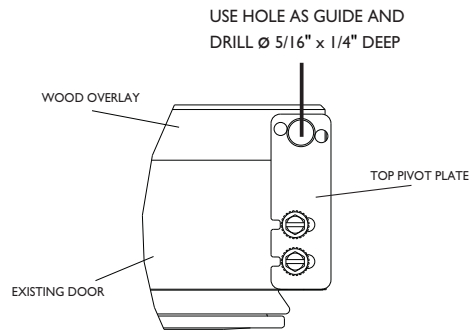
- Use hole in Top Pivot Plate as a guide to drill into the wood overlay panel. Drill \varnothing 3/16" x 13/16" deep.



- Attach replacement bottom pivot plate; on the side where hinges will be. The notches on the plate must point towards the center of the door. Use the two #8-32 x 3/8" Hex Screws supplied with kit, see below.



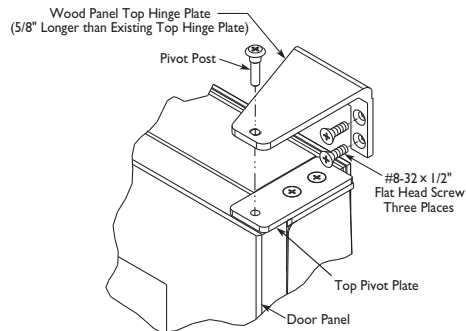
- Use hole in Bottom Pivot Plate as a guide to drill into the wood overlay panel. Drill \varnothing 5/16" x 1/4" deep



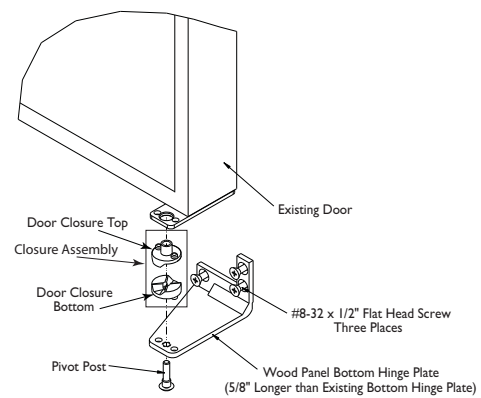
- Starting at the corners and working toward the center, push the door gasket into place.

Installing the Door

- Remove the existing hinge from the unit, saving the door closer assembly, see below.
- Install the replacement top hinge onto the unit, see below.



- Install the pivot post into the new Replacement Bottom Hinge (using Phillips screwdriver) and install the bottom hinge onto the unit.
- Replace the door closure assembly onto the bottom pivot post. Be sure the bosses on closures align with holes in hinge and hinge plate.



NOTICE

Pivot posts must be cleaned. Closers must also be clean and greased to ensure proper operation.

- Place the modified door onto the pivot post.
- Position door and install the pivot post into the top hinge.
- Adjust door as needed for proper closure.
- Check to see that light goes off when the door closes.
- Reinstall the door shelves by lining up the bosses and first pushing straight in, then down at a 45° angle.

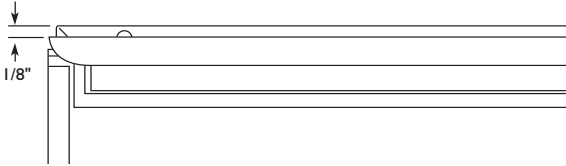
Checking Door Alignment

The unit's door is aligned at the factory before shipment. However, it's alignment could have been disturbed during shipment or during door panel installation.

NOTICE

Properly aligned, the door should be 1/8" below the top of the unit cabinet, NOT flush with the top. See below.

- Compare the top edge of the door to the top edge of the cabinet.

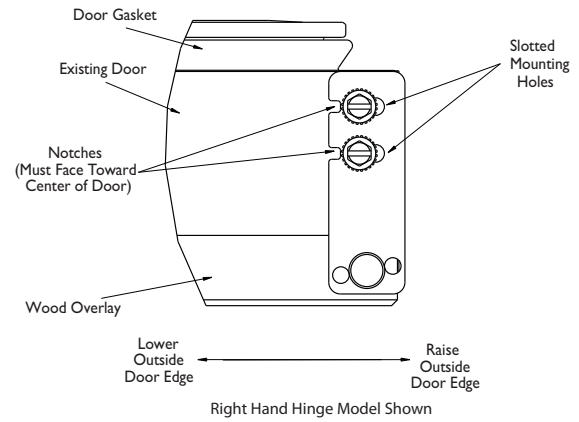


- If the door edge is 1/8" below and parallel to the top of the cabinet, the door is aligned. If it is not, note whether the side opposite the hinge needs to be moved UP or DOWN, and use the following procedure.

Note: If the door is adjusted correctly, but panel is not square with the adjacent cabinets, slight adjustment can be made by drilling the holes in the vinyl coated steel panel slightly oversized.

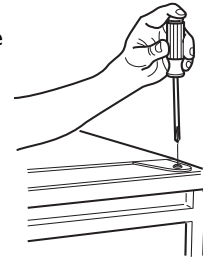
Adjusting Door Alignment

- Remove top hinge screw pin. Remove door by tilting forward and lifting off the bottom hinge pin.
- With door upside-down, loosen, but do not remove the two screws on the door's bottom hinge plate.
- If the top far edge of the door needs to move UP, move the hinge plate toward the outside of the door and retighten screws.

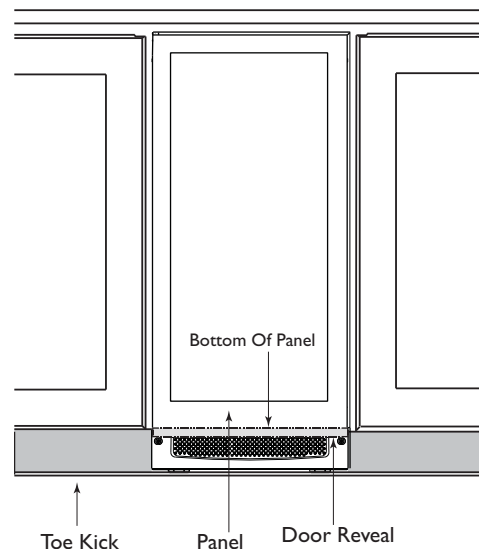


If the top far edge of the door needs to move DOWN, move the hinge plate toward the inside of the door and retighten screws.

- Mount the door, recheck alignment and repeat Steps 2 and 3 if further adjustment is necessary.
- When top edge of door is parallel to top edge of cabinet, remove the door and ensure the two screws are secure.
- Remove the door closers from the bottom hinge, clean thoroughly and lubricate the mating surface with a petroleum jelly such as Vaseline.
- Reinstall the closers, lining up the bosses with holes in hinge and hinge plate.
- Mount the door and install top hinge pivot pin.



Note: The bottom of the panel will line up with the top of the cabinetry toe kick. Minor adjustments can be made using the leveler feet. Depending on the height of the toe kick, a small portion of the door may be visible beneath the panel.



PRODUCT INFORMATION

Complete Installation Guides, Use and Care Guides, Specifications & Features and Benefits, CAD Drawings, Overlay Panel/Frame and Toe-Kick Specifications and Instructions, Compliance Documentation and Applicable Energy Guides are available for reference and download at u-line.com.

SERVICE INFORMATION

Please consult your Use and Care Guide for troubleshooting information. Answers to Customer Frequently Asked Questions are available at u-line.com under Customer Service. You may contact U-Line directly:

GENERAL INQUIRIES:

U-Line Corporation
P.O. Box 245040
Milwaukee, Wisconsin 53224-9540 U.S.A.
Phone 1-414-354-0300
FAX 1-414-354-7905
Email: sales@u-line.com
u-line.com

SERVICE ASSISTANCE:

Phone 1-800-779-2547
FAX 1-414-354-5696
Email: onlineservice@u-line.com
u-lineservice.com

PARTS ASSISTANCE:

E-mail: onlineparts@u-line.com

BUILDING ON THREE GENERATIONS OF INNOVATION

For over five decades and through three generations, U-Line continues to be the leader in innovation, quality and performance in the premium built-in undercounter ice making, refrigeration and wine preservation market. U-Line has captivated those with an appreciation for the finer things with exceptional functionality, style, inspired innovation and attention to even the smallest details. We are known and respected for our unwavering dedication to product design, quality and selection.

In 1962, Henry Uihlein founded U-Line Corporation as an outgrowth of Ben-Hur Freezer Company and was the first to develop and patent an automatic stand-alone undercounter residential ice maker. His foresight and determination to develop new ideas and to succeed when there were no clear guidelines or solutions are evident today. The newest Uihlein generation continues to build upon the family's innovative legacy at the Milwaukee, Wisconsin based business by providing continuity and vision from which new designs and technology continue to be born.

Today the complete U-Line product collection includes Ice Makers, Ice Machines, Wine Captain[®] Models, Combo[®] Models, Refrigerator / Freezers, Refrigerators, Drawer Models and Beverage Centers. The U-Line brand offers products in the 1000 Series, 2000 Series and the Modular 3000 Series. The 1000 Series offers a more targeted priced product with appropriate features, while the 2000 Series offers upscale features, advanced technology and specialized product families. Our Modular 3000 Series provides sleek design and versatile temperature settings with our U-Select[®] control. U-Line's approach to its breadth of products, multiple price points and features allows a choice and product that will fit any lifestyle.

DESIGNED, ENGINEERED AND ASSEMBLED IN WISCONSIN, USA