

3018R • 18" Solid Door Refrigerator • Modular 3000 Series

FEATURES & BENEFITS



STAINLESS SOLID



INTEGRATED SOLID

PERFORMANCE	<ul style="list-style-type: none"> • Volume of 3.4 cu ft holds up to 68 bottles (12 oz) or 104 cans (12 oz) • Temperature range: 34°F -70°F • Convection cooling system rapidly and efficiently takes items to the set temperature • U-Select® Control offers five distinct modes: Beverage: 34°F - 65°F, Deli: 34°F - 40°F, Market: 34°F - 40°F, Pantry: 34°F - 70°F, Root Cellar: 45°F - 55°F • U-Select® Control with digital OLED display is ergonomically located on top of door
INTERIOR/EXTERIOR	<ul style="list-style-type: none"> • Black interior is illuminated with LED theater lighting • Three full-extension, slide-out drawers are removable for easy cleaning • The middle bin has two possible positions and comes with a removable glass shelf to keep products stable • The lower bin is large enough to fit 2 one-gallon containers with additional space for more storage • Standard commercial stainless steel handle is interchangeable with professional handle accessory • Must be ordered right-hand or left-hand hinged
INTEGRATION	<ul style="list-style-type: none"> • Robust, concealed and covered hinges with built-in door stop and closer • Adjustable grille can be shifted front-to-back and up-and-down • Integrated model requires ¾" custom door panel (panels not supplied by U-Line) • Grille can accept an integrated toe-kick • Four independently adjustable leveling legs; rear legs are adjustable from the front for ease of installation

MODEL DETAILS

Model	Voltage/Hz	Door Swing	Finish	Shipping Weight
U-3018RS-00A	115 / 60	Right-Hand Hinge	Stainless Solid	124 lbs
U-3018RS-01A	115 / 60	Left-Hand Hinge	Stainless Solid	124 lbs
U-3018RINT-00A	115 / 60	Right-Hand Hinge	Integrated Solid	120 lbs
U-3018RINT-01A	115 / 60	Left-Hand Hinge	Integrated Solid	120 lbs

ACCESSORIES

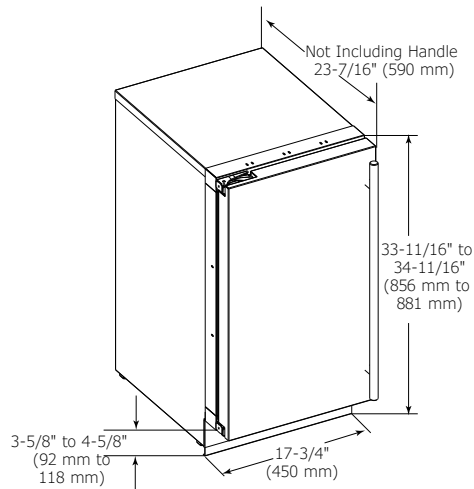
Model	Description	Finish	Shipping Weight
23074	Professional Door Handle, 1 ¼" Diameter	Stainless	2 lbs
23073	Commercial Door Handle, 7/8" Diameter	Stainless	2 lbs
U-3000FLANGE-KIT	Flange Kit, 3000 Series	Black	14 lbs
U-3000FLANGE-KIT-ICE	Flange Kit, 3000 Series, Ice*	Black	17 lbs
80-33027-00	3k 18" Slide and Divide Bin Organizer	na	2 lbs

*Ice machine must be installed on right side when installed with ice flange kit.

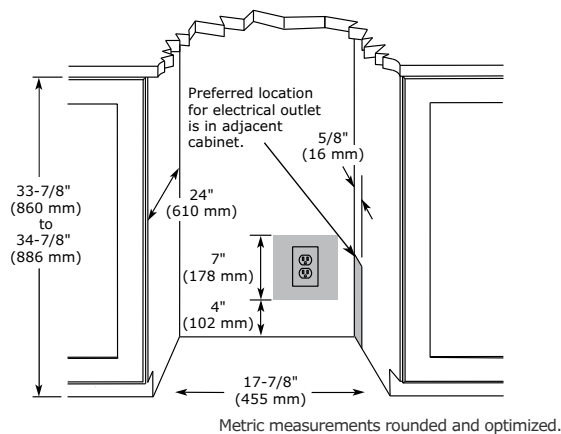
Modular 3000 Series • 18" Solid Door Refrigerator • 3018R

DIMENSIONS

Dimensions shown apply to all finishes, including Integrated (INT) models with 3/4" integrated panel/frame installed.



CABINET CUT-OUT



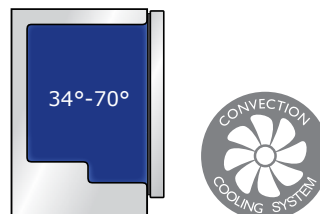
INSTALLATION NOTES

- When installing adjacent to wall, ensure 2 1/2" clearance on hinged side for 90° door opening, allowing ample room for door handle.
- No additional clearance around sides, top or rear of unit is needed for ventilation.
- Do not obstruct front grille air flow.

SPECIFICATIONS

Model	3018R
Amps: Running	1.2
Capacity: Bottle (12 oz)	68
Capacity: Can (12 oz)	104
Capacity: Volume (cu ft)	3.4
Control Type	U-Select®
Dimensions: Product Depth	23 7/16" / 590 mm
Dimensions: Product Height	33 11/16" / 856 mm
Dimensions: Product Width	17 3/4" / 450 mm
Energy Consumption: Avg. Per Year	245 kWh
ENERGY STAR / CEE RATING	ENERGY STAR / Tier 2
Panel Height	30" / 762 mm
Panel Thickness	3/4" / 20 mm
Panel Type	Solid Panel
Panel Width	17 5/8" / 445 mm
Product Weight: Max	114 lbs
Refrigerant Type	R600a
Sabbath (Star K Certified)	Yes
Temperature Range	34°F - 70°F

COOLING SYSTEM



ELECTRICAL REQUIREMENTS

This unit requires a grounded a polarized 115 VAC, 60 Hz, 15 A power supply (normal household current).



Please visit u-line.com to view this model's User Guide. All specifications are subject to change without notice.