

3018R • 18" Solid Door Refrigerator • Modular 3000 Series

FEATURES & BENEFITS



STAINLESS SOLID

INTEGRATED SOLID

INTEGRATED SOLID (STAINLESS HANDLELESS PANEL)*

PERFORMANCE

- Volume of 3.4 cu ft holds up to 68 bottles (12 oz) or 104 cans (12 oz)
- Temperature range: 34°F - 70°F
- Convection cooling system rapidly and efficiently takes items to the set temperature
- U-Select® Control offers five distinct modes: Beverage: 34°F - 65°F, Deli: 34°F - 40°F, Market: 34°F - 40°F, Pantry: 34°F - 70°F, Root Cellar: 45°F - 55°F
- U-Select® Control with digital OLED display

INTERIOR/EXTERIOR

- Black interior is illuminated with LED theater lighting
- Three full-extension, slide-out drawers are removable for easy cleaning
- The middle bin has two possible positions and comes with a removable glass shelf to keep products stable
- The lower bin is large enough to fit 2 one-gallon containers with additional space for more storage
- 7/8" diameter stainless steel handle (not included on integrated models)
- The door swing is field reversible, and is shipped right-hand hinged

INTEGRATION

- Robust, concealed and covered hinges with built-in door stop and closer
- Adjustable grille can be shifted front-to-back and up-and-down
- Integrated model requires 3/4" custom panel of your choice, or can accept U-Line Euro Style Handleless Stainless Panel Accessory (must be ordered separately)
- Grille can accept an integrated toe-kick
- Four independently adjustable levelling legs provide a precise undercounter fit

MODEL DETAILS

| Model | Voltage/Hz | Door Swing | Finish | Shipping Weight |
|----------------|------------|------------------|------------------|-----------------|
| U-3018RS-00B | 115 / 60 | Field Reversible | Stainless Solid | 124 lb |
| U-3018RINT-00B | 115 / 60 | Field Reversible | Integrated Solid | 120 lb |

ACCESSORIES

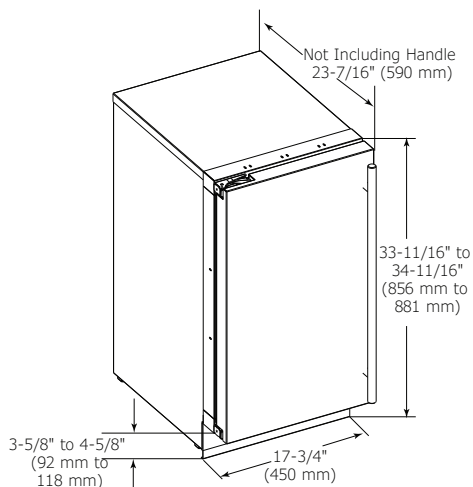
| Model | Description | Finish | Shipping Weight |
|-------------|--|-----------|-----------------|
| 80-54461-00 | 18" Slide and Divide Bin Organizer | N/A | 2 lb |
| U-ESP45S* | Euro Style Handleless Panel, 18" Solid | Stainless | 9 lb |

*Installs on integrated models.

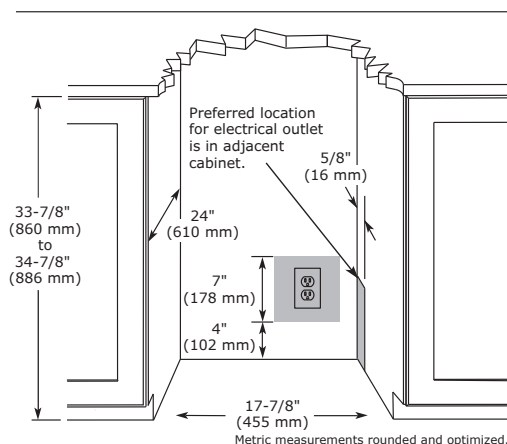
Modular 3000 Series • 18" Solid Door Refrigerator • **3018R**

DIMENSIONS

Dimensions shown apply to all finishes, including Integrated (INT) models with 3/4" integrated panel/frame installed.



CABINET CUT-OUT



INSTALLATION NOTES

When installing adjacent to wall, ensure 2 1/2" clearance on hinged side for 90° door opening, allowing ample room for door handle.

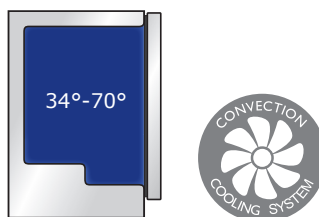
No additional clearance around sides, top or rear of unit is needed for ventilation.

Do not obstruct front grille air flow.

SPECIFICATIONS

| | |
|-----------------------------------|----------------------|
| Model | 3018R |
| Amps: Running | 1.2 |
| Capacity: Bottle (12 oz) | 68 |
| Capacity: Can (12 oz) | 104 |
| Capacity: Volume (cu ft) | 3.4 |
| Control Type | U-Select® |
| Dimensions: Product Depth | 23 7/16" / 590 mm |
| Dimensions: Product Height | 33 11/16" / 856 mm |
| Dimensions: Product Width | 17 3/4" / 450 mm |
| Energy Consumption: Avg. Per Year | 230 kWh |
| ENERGY STAR / CEE RATING | ENERGY STAR / Tier 3 |
| Panel Height | 30" / 762 mm |
| Panel Thickness | 3/4" / 20 mm |
| Panel Type | Solid Panel |
| Panel Width | 17 5/8" / 445 mm |
| Product Weight: Max | 114 lb |
| Refrigerant Type | R600a |
| Sabbath (Star K Certified) | Yes |
| Temperature Range | 34°F - 70°F |

COOLING SYSTEM



ELECTRICAL REQUIREMENTS

This unit requires a grounded, polarized 115 VAC, 60 Hz, 15 A power supply (normal household current).



Warranty

Please visit u-line.com to view this model's User Guide & Service Manual. All Specifications are subject to change without notice.