

3018WC • 18" Wine Captain® Model • Modular 3000 Series

FEATURES & BENEFITS



STAINLESS FRAME



STAINLESS FRAME (LOCK)



INTEGRATED FRAME



INTEGRATED SOLID

PERFORMANCE	<ul style="list-style-type: none"> • Volume of 3.6 cu ft holds up to 31 wine bottles (750 ml) • Temperature range: 38°F - 65°F • Convection cooling system rapidly and efficiently takes items to the set temperature • U-Select® Control offers three distinct modes: Sparkling Wine: 38°F - 50°F, White Wine: 45°F - 55°F, Red Wine: 55°F - 65°F • U-Select® Control with digital OLED display is ergonomically located on top of door • Relative humidity inside the unit is approx. 50% • Rubber mounted compressor virtually eliminates vibration
INTERIOR/EXTERIOR	<ul style="list-style-type: none"> • Black interior is illuminated with LED theater lighting that automatically turns off when the door is closed, or can be set to stay on for 3, 6, or 24 hours • Robust full-extension black vinyl coated wine racks allow for easy access and prevent bottles from shifting • Wine racks accommodate a variety of bottle shapes and sizes; the fourth and fifth racks allow for larger diameter wine and champagne bottles • LowE coated, argon gas filled thermopane glass door provides protection from harmful UV light • Standard commercial stainless steel handle is interchangeable with professional handle accessory • Must be ordered right-hand or left-hand hinged
INTEGRATION	<ul style="list-style-type: none"> • Robust, concealed and covered hinges with built-in door stop and closer • Adjustable grille can be shifted front-to-back and up-and down • Integrated model requires ¾" custom door panel (panels not supplied by U-Line) • Grille can accept an integrated toe-kick • Four independently adjustable leveling legs; rear legs are adjustable from the front for ease of installation

MODEL DETAILS

Model	Voltage/Hz	Door Swing	Finish	Shipping Weight
U-3018WCS-00A	115 / 60	Right-Hand Hinge	Stainless Frame	134 lbs
U-3018WCS-01A	115 / 60	Left-Hand Hinge	Stainless Frame	134 lbs
U-3018WCS-13A	115 / 60	Right-Hand Hinge	Stainless Frame (Lock)	134 lbs
U-3018WCS-15A	115 / 60	Left-Hand Hinge	Stainless Frame (Lock)	134 lbs
U-3018WCINT-00A	115 / 60	Right-Hand Hinge	Integrated Frame	139 lbs
U-3018WCINT-01A	115 / 60	Left-Hand Hinge	Integrated Frame	139 lbs
U-3018WCINT-60A	115 / 60	Right-Hand Hinge	Integrated Solid	133 lbs
U-3018WCINT-61A	115 / 60	Left-Hand Hinge	Integrated Solid	133 lbs

ACCESSORIES

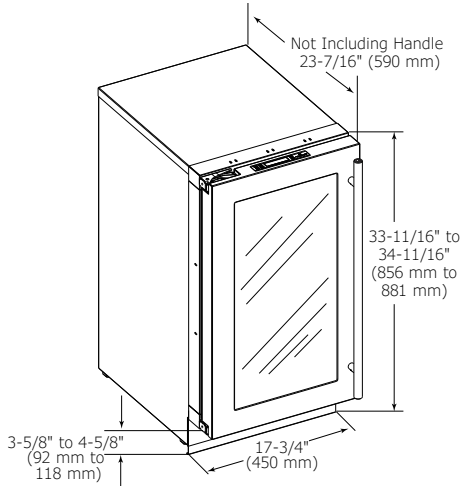
Model	Description	Finish	Shipping Weight
23074	Professional Door Handle, 1 ¼" Diameter	Stainless	2 lbs
23073	Commercial Door Handle, 7/8" Diameter	Stainless	2 lbs
U-3000FLANGE-KIT	Flange Kit, 3000 Series	Black	14 lbs
U-3000FLANGE-KIT-ICE	Flange Kit, 3000 Series, Ice*	Black	17 lbs

*Ice machine must be installed on right side when installed with ice flange kit.

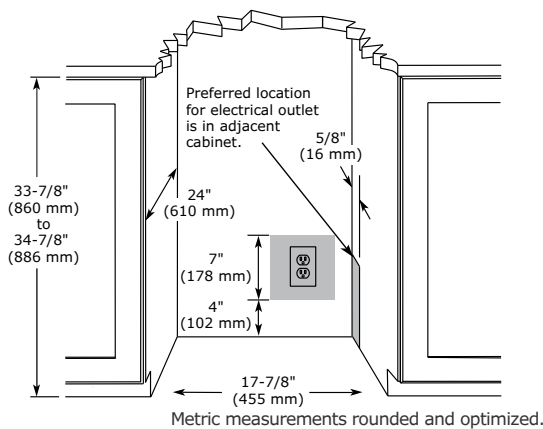
Modular 3000 Series • 18" Wine Captain® Model • **3018WC**

DIMENSIONS

Dimensions shown apply to all finishes, including Integrated (INT) models with 3/4" integrated panel/frame installed.



CABINET CUT-OUT



INSTALLATION NOTES

When installing adjacent to wall, ensure 2 1/2" clearance on hinged side for 90° door opening, allowing ample room for door handle.

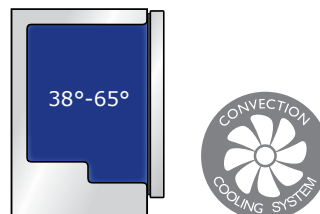
No additional clearance around sides, top or rear of unit is needed for ventilation.

Do not obstruct front grille air flow.

SPECIFICATIONS

Model	3018WC
Amps: Running	1.2
Capacity: Volume (cu ft)	3.6
Capacity: Wine Bottle (750 ml)	31
Control Type	U-Select®
Dimensions: Product Depth	23 7/16" / 590 mm
Dimensions: Product Height	33 11/16" / 856 mm
Dimensions: Product Width	17 3/4" / 450 mm
Energy Consumption: Avg. Per Year	250 kWh
ENERGY STAR	na
Panel Height	30" / 762 mm
Panel Thickness	3/4" / 20 mm
Panel Type	2 3/4" / 70 mm Frame Panel or Solid Panel (-60 suffix)
Panel Width	17 5/8" / 445 mm
Product Weight: Max	125 lbs
Refrigerant Type	R600a
Sabbath (Star K Certified)	Yes
Temperature Range	38°F - 65°F

COOLING SYSTEM



ELECTRICAL REQUIREMENTS

This unit requires a grounded a polarized 115 VAC, 60 Hz, 15 A power supply (normal household current).



Residential

Please visit u-line.com to view this model's User Guide. All specifications are subject to change without notice.