

**3024BEV • 24" Beverage Center • Modular 3000 Series**

**FEATURES & BENEFITS**



STAINLESS FRAME



STAINLESS FRAME (LOCK)



INTEGRATED FRAME



INTEGRATED SOLID

|                          |  |
|--------------------------|--|
| <b>PERFORMANCE</b>       | <ul style="list-style-type: none"> <li>• Volume of 4.9 cu ft holds up to 79 bottles (12 oz) or 123 cans (12 oz) and 10 wine bottles (750 ml)</li> <li>• Temperature range: 34°F - 70°F</li> <li>• Convection cooling system rapidly and efficiently takes items to the set temperature</li> <li>• U-Select® Control offers five distinct modes: Beverage: 34°F -40° F, Deli: 34°F - 40°F, Market: 34°F - 40°F, Pantry: 34°F - 70°F, Root Cellar: 45°F - 55°F</li> <li>• U-Select® Control with digital OLED display is ergonomically located on top of door</li> </ul>   |
| <b>INTERIOR/EXTERIOR</b> | <ul style="list-style-type: none"> <li>• Black interior is illuminated with LED theater lighting that automatically turns off when the door is closed, or can be set to stay on for 3, 6, or 24 hours</li> <li>• Robust full-extension black vinyl coated wine racks allow for easy access and prevent bottles from shifting</li> <li>• Wine racks accommodate a variety of bottle shapes and sizes</li> <li>• Three adjustable tempered glass shelves with 7 height positions</li> <li>• LowE coated, argon gas filled thermopane glass door provides protection from harmful UV light</li> <li>• Standard commercial stainless steel handle is interchangeable with professional handle accessory</li> <li>• Must be ordered right-hand or left-hand hinged</li> </ul> |
| <b>INTEGRATION</b>       | <ul style="list-style-type: none"> <li>• Robust, concealed and covered hinges with built-in door stop and closer</li> <li>• Adjustable grille can be shifted front-to-back and up-and-down</li> <li>• Grille can accept a 1/4" custom integrated toe-kick</li> <li>• Integrated model requires 3/4" custom door panel (panels not supplied by U-Line)</li> <li>• Four independently adjustable leveling legs; rear legs are adjustable from the front for ease of installation</li> </ul>  |

**MODEL DETAILS**

| Model            | Voltage/Hz | Door Swing       | Finish                 | Shipping Weight |
|------------------|------------|------------------|------------------------|-----------------|
| U-3024BEVS-00A   | 115 / 60   | Right-Hand Hinge | Stainless Frame        | 156 lbs         |
| U-3024BEVS-01A   | 115 / 60   | Left-Hand Hinge  | Stainless Frame        | 156 lbs         |
| U-3024BEVS-13A   | 115 / 60   | Right-Hand Hinge | Stainless Frame (Lock) | 156 lbs         |
| U-3024BEVS-15A   | 115 / 60   | Left-Hand Hinge  | Stainless Frame (Lock) | 156 lbs         |
| U-3024BEVINT-00A | 115 / 60   | Right-Hand Hinge | Integrated Frame       | 144 lbs         |
| U-3024BEVINT-01A | 115 / 60   | Left-Hand Hinge  | Integrated Frame       | 144 lbs         |
| U-3024BEVINT-60A | 115 / 60   | Right-Hand Hinge | Integrated Solid       | 132 lbs         |
| U-3024BEVINT-61A | 115 / 60   | Left-Hand Hinge  | Integrated Solid       | 132 lbs         |

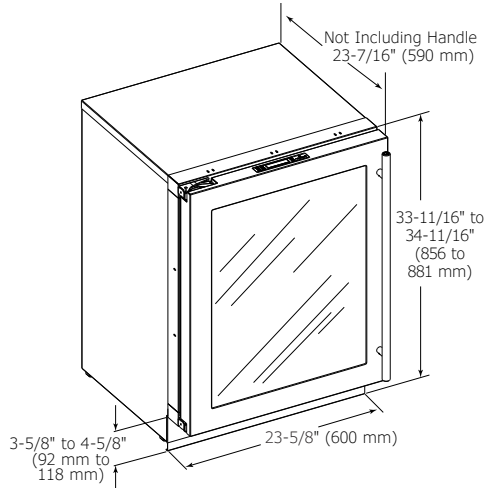
**ACCESSORIES**

| Model | Description                               | Finish    | Shipping Weight |
|-------|---|-----------|-----------------|
| 23074 | Professional Door Handle, 1 1/4" Diameter | Stainless | 2 lbs           |
| 23073 | Commercial Door Handle, 7/8" Diameter     | Stainless | 2 lbs           |

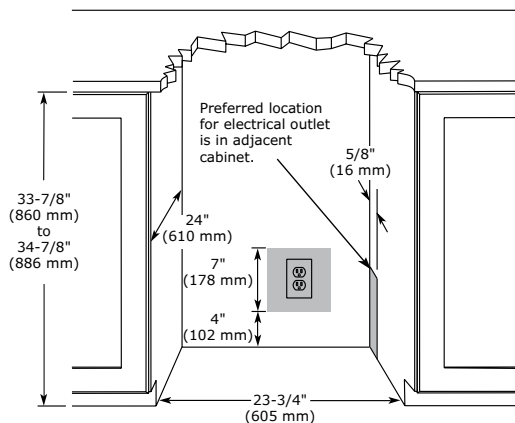
Modular 3000 Series • 24" Beverage Center • **3024BEV**

**DIMENSIONS**

Dimensions shown apply to all finishes, including Integrated (INT) models with 3/4" integrated panel/frame installed.



**CABINET CUT-OUT**



Metric measurements rounded and optimized.

**INSTALLATION NOTES**

When installing adjacent to wall, ensure 2 1/2" clearance on hinged side for 90° door opening, allowing ample room for door handle.

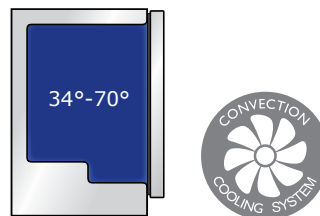
No additional clearance around sides, top or rear of unit is needed for ventilation.

Do not obstruct front grille air flow.

**SPECIFICATIONS**

|                                   |  |
|-----------------------------------|--|
| Model                             | 3024BEV  |
| Amps: Running                     | 1.2  |
| Capacity: Bottle (12 oz)          | 79   |
| Capacity: Can (12 oz)             | 123  |
| Capacity: Volume (cu ft)          | 4.9  |
| Capacity: Wine Bottle (750 ml)    | 10   |
| Control Type                      | U-Select®  |
| Dimensions: Product Depth         | 23 7/16" / 590 mm                                      |
| Dimensions: Product Height        | 33 11/16" / 856 mm                                     |
| Dimensions: Product Width         | 23 5/8" / 600 mm                                       |
| Energy Consumption: Avg. Per Year | 300 kWh  |
| ENERGY STAR                       | No   |
| Panel Height                      | 30" / 762 mm   |
| Panel Thickness                   | 3/4" / 20 mm   |
| Panel Type                        | 2 3/4" / 70 mm Frame Panel or Solid Panel (-60 suffix) |
| Panel Width                       | 23 1/2" / 595 mm                                       |
| Product Weight: Max               | 146 lbs  |
| Refrigerant Type                  | R600a  |
| Sabbath (Star K Certified)        | Yes  |
| Temperature Range                 | 34°F - 70°F  |

**COOLING SYSTEM**



**ELECTRICAL REQUIREMENTS**

This unit requires a grounded a polarized 115 VAC, 60 Hz, 15 A power supply (normal household current).



Please visit [u-line.com](http://u-line.com) to view this model's User Guide. All specifications are subject to change without notice.