

3024DWR • 24" Independent Dual-Zone Drawer Model • Modular 3000 Series

FEATURES & BENEFITS



STAINLESS SOLID



INTEGRATED SOLID

PERFORMANCE	<ul style="list-style-type: none"> • Volume of 4.5 cu ft holds up to 90 bottles (12 oz) or 142 cans (12 oz) • Temperature range: 34°F - 70°F • Convection cooling system rapidly and efficiently takes items to the set temperature • U-Select® Control offers five distinct modes: Beverage: 34°F - 65°F, Deli: 34°F - 40°F, Market: 34°F - 40°F, Pantry: 34°F - 70°F, Root Cellar: 45°F - 55°F • U-Select® Control with digital OLED display is ergonomically located on top of upper drawer • Independently controlled dual-zones
INTERIOR/EXTERIOR	<ul style="list-style-type: none"> • Black interior is illuminated with LED theater lighting • Equipped with 2 full-extension soft-close robust stainless drawers • Upper drawer includes Slide and Divide bin organizer • The lower drawer is large enough to fit 2 one-gallon containers with additional space for more storage
INTEGRATION	<ul style="list-style-type: none"> • Adjustable grille can be shifted front-to-back and up-and-down • Integrated model requires ¾" custom door panel (panels not supplied by U-Line) • Grille can accept an integrated toe-kick • Four independently adjustable leveling legs; rear legs are adjustable from the front for ease of installation

MODEL DETAILS

Model	Voltage/Hz	Door Swing	Finish	Shipping Weight
U-3024DWRS-00A	115 / 60	Drawers	Stainless Solid	166 lbs
U-3024DWRINT-00A	115 / 60	Drawers	Integrated Solid	158 lbs

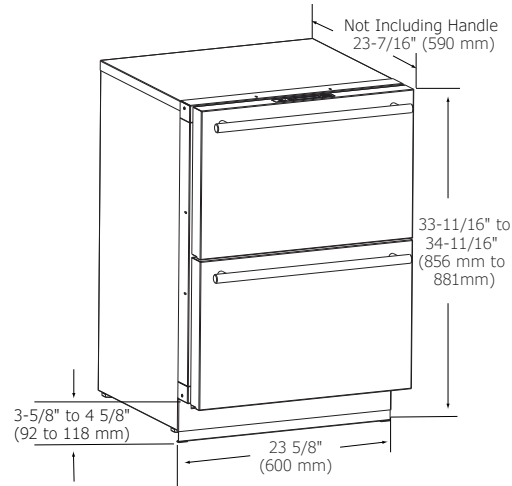
ACCESSORIES

Model	Description	Finish	Shipping Weight
23050-02	Commercial Drawer Handle, 7/8" Diameter	Stainless	2 lbs

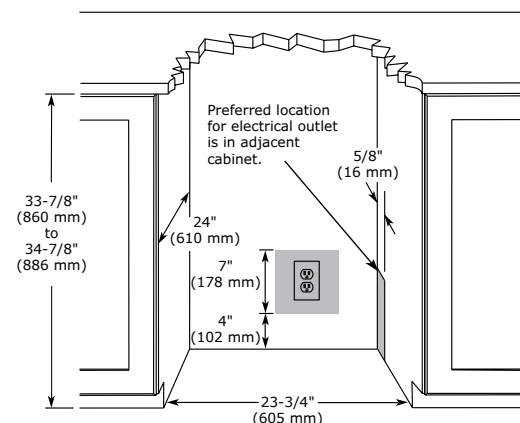
Modular 3000 Series • 24" Independent Dual-Zone Drawer Model • **3024DWR**

DIMENSIONS

Dimensions shown apply to all finishes, including Integrated (INT) models with 3/4" integrated panel/frame installed.



CABINET CUT-OUT



Metric measurements rounded and optimized.

INSTALLATION NOTES

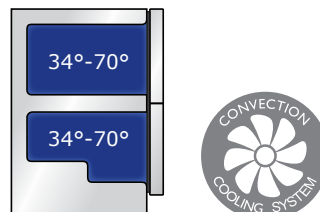
No additional clearance around sides, top or rear of unit is needed for ventilation.

Do not obstruct front grille air flow.

SPECIFICATIONS

Model	3024DWR
Amps: Running	1.2
Capacity: Bottle (12 oz)	90
Capacity: Can (12 oz)	142
Capacity: Volume (cu ft)	4.5
Control Type	U-Select®
Dimensions: Product Depth	23 7/16" / 590 mm
Dimensions: Product Height	33 11/16" / 856 mm
Dimensions: Product Width	23 5/8" / 600 mm
Energy Consumption: Avg. Per Year	300 kWh
ENERGY STAR	No
Panel Height	14 15/16" / 379 mm
Panel Thickness	3/4" / 20 mm
Panel Type	Solid Panel
Panel Width	23 1/2" / 595 mm
Product Weight: Max	156 lbs
Refrigerant Type	R600a
Sabbath (Star K Certified)	Yes
Temperature Range	34°F - 70°F

COOLING SYSTEM



ELECTRICAL REQUIREMENTS

This unit requires a grounded a polarized 115 VAC, 60 Hz, 15 A power supply (normal household current).

Please visit u-line.com to view this model's User Guide. All specifications are subject to change without notice.

