

**3024FZR • 24" Freezer • Modular 3000 Series**

**FEATURES & BENEFITS**



STAINLESS SOLID



INTEGRATED SOLID

<b>PERFORMANCE</b>	<ul style="list-style-type: none"> <li>• Volume of 4.5 cu ft</li> <li>• Temperature range: -5°F to 5°F</li> <li>• Convection cooling system rapidly and efficiently takes items to the set temperature</li> <li>• U-Select® Control allows you to quickly set your model to our pre-programmed Polar mode</li> <li>• U-Select® Control with digital OLED display is ergonomically located on top of door</li> </ul>
<b>INTERIOR/EXTERIOR</b>	<ul style="list-style-type: none"> <li>• Black interior is illuminated with LED theater lighting that automatically turns off when the door is closed</li> <li>• Three full-extension, durable vinyl coated freezer baskets are removable for easy cleaning</li> <li>• Baskets can accommodate large pizza boxes and one-gallon containers with additional space for more storage</li> <li>• Standard commercial stainless steel handle is interchangeable with professional handle accessory</li> <li>• Must be ordered right-hand or left-hand hinged</li> </ul>
<b>INTEGRATION</b>	<ul style="list-style-type: none"> <li>• Robust, concealed and covered hinges with built-in door stop and closer</li> <li>• Adjustable grille can be shifted front-to-back and up-and-down</li> <li>• Grille can accept a 1/4" custom integrated toe-kick</li> <li>• Integrated model requires 3/4" custom door panel (panels not supplied by U-Line)</li> <li>• Four independently adjustable leveling legs; rear legs are adjustable from the front for ease of installation</li> </ul>

**MODEL DETAILS**

Model	Voltage/Hz	Door Swing	Finish	Shipping Weight
U-3024FZRS-00A	115 / 60	Right-Hand Hinge	Stainless Solid	166 lbs
U-3024FZRS-01A	115 / 60	Left-Hand Hinge	Stainless Solid	166 lbs
U-3024FZRINT-00A	115 / 60	Right-Hand Hinge	Integrated Solid	158 lbs
U-3024FZRINT-01A	115 / 60	Left-Hand Hinge	Integrated Solid	158 lbs

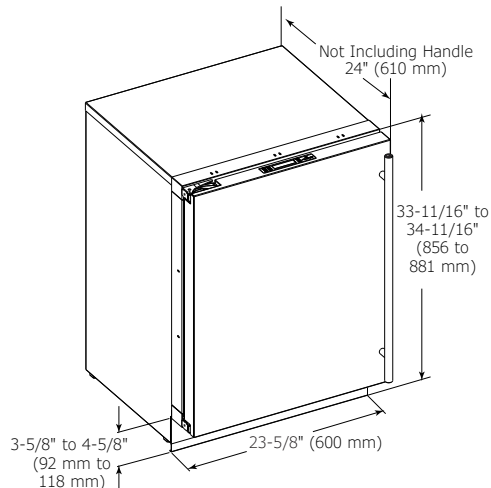
**ACCESSORIES**

Model	Description	Finish	Shipping Weight
23074	Professional Door Handle, 1 1/4" Diameter	Stainless	2 lbs
23073	Commercial Door Handle, 7/8" Diameter	Stainless	2 lbs

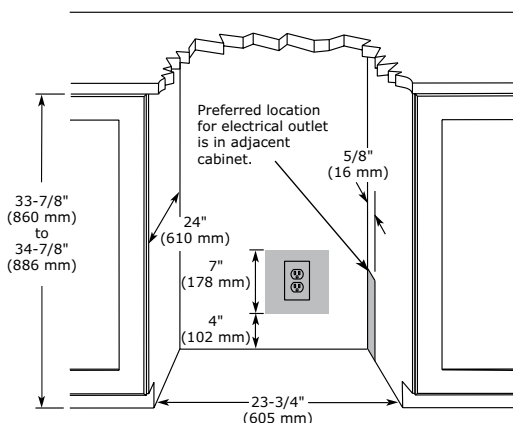
Modular 3000 Series • 24" Freezer • **3024FZR**

**DIMENSIONS**

Dimensions shown apply to all finishes, including Integrated (INT) models with 3/4" integrated panel/frame installed.



**CABINET CUT-OUT**



Metric measurements rounded and optimized.

**INSTALLATION NOTES**

When installing adjacent to wall, ensure 2 1/2" clearance on hinged side for 90° door opening, allowing ample room for door handle.

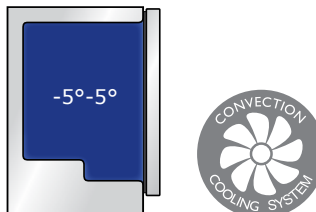
No additional clearance around sides, top or rear of unit is needed for ventilation.

Do not obstruct front grille air flow.

**SPECIFICATIONS**

Model	3024FZR
Amps: Running	2.4
Capacity: Volume (cu ft)	4.5
Control Type	U-Select®
Defrost Type	Frost Free
Dimensions: Product Depth	24" / 610 mm
Dimensions: Product Height	33 11/16" / 856 mm
Dimensions: Product Width	23 5/8" / 600 mm
Energy Consumption: Avg. Per Year	430 kWh
ENERGY STAR	No
Panel Height	30" / 762 mm
Panel Thickness	3/4" / 20 mm
Panel Type	Solid Panel
Panel Width	23 1/2" / 595 mm
Product Weight: Max	156 lbs
Refrigerant Type	R134a
Sabbath (Star K Certified)	Yes
Temperature Range	-5°F to 5°F

**COOLING SYSTEM**



**ELECTRICAL REQUIREMENTS**

This unit requires a grounded a polarized 115 VAC, 60 Hz, 15 A power supply (normal household current).



Residential

Please visit [u-line.com](http://u-line.com) to view this model's User Guide. All specifications are subject to change without notice.