

3024FZR • 24" Freezer • Modular 3000 Series

FEATURES & BENEFITS



STAINLESS SOLID



INTEGRATED SOLID



INTEGRATED SOLID (STAINLESS HANDLELESS PANEL)*

PERFORMANCE

- Volume of 4.5 cu ft
- Temperature range: -5°F to 5°F
- Convection cooling system rapidly and efficiently takes items to the set temperature
- U-Select® Control allows you to quickly set your model to our pre-programmed Polar mode
- U-Select® Control with digital OLED display

INTERIOR/EXTERIOR

- Black interior is illuminated with LED theater lighting that automatically turns off when the door is closed
- Three full-extension, durable vinyl coated freezer baskets are removable for easy cleaning
- Baskets can accommodate large pizza boxes and one-gallon containers with additional space for more storage
- 7/8" diameter stainless steel handle (not included on integrated models)
- The door swing is field reversible, and is shipped right-hand hinged

INTEGRATION

- Robust, concealed and covered hinges with built-in door stop and closer
- Adjustable grille can be shifted front-to-back and up-and-down
- Grille can accept an integrated toe-kick
- Integrated model requires 3/4" custom panel of your choice, or can accept U-Line Euro Style Handleless Stainless Panel Accessory (must be ordered separately)
- Four independently adjustable levelling legs provide a precise undercounter fit

MODEL DETAILS

Model	Voltage/Hz	Door Swing	Finish	Shipping Weight
U-3024FZRS-00B	115 / 60	Field Reversible	Stainless Solid	166 lb
U-3024FZRINT-00B	115 / 60	Field Reversible	Integrated Solid	158 lb

ACCESSORIES

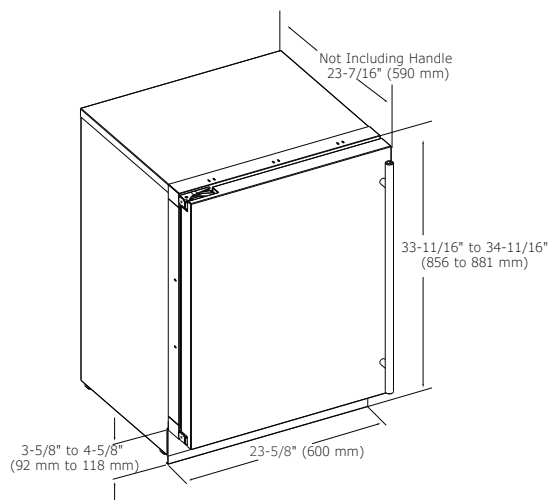
Model	Description	Finish	Shipping Weight
U-ESP60S*	Euro Style Handleless Panel, 24" Solid	Stainless	12 lb

*Installs on integrated models.

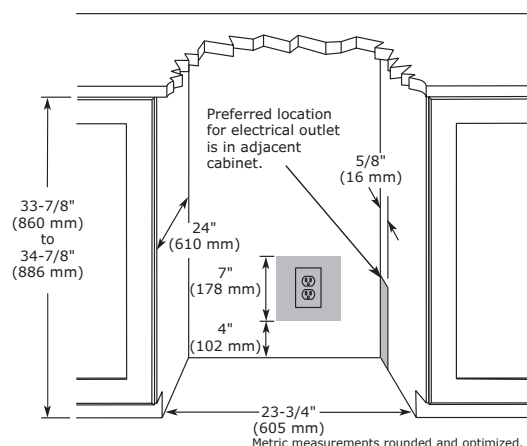
Modular 3000 Series • 24" Freezer • **3024FZR**

DIMENSIONS

Dimensions shown apply to all finishes, including Integrated (INT) models with 3/4" integrated panel/frame installed.



CABINET CUT-OUT



INSTALLATION NOTES

When installing adjacent to wall, ensure 2 1/2" clearance on hinged side for 90° door opening, allowing ample room for door handle.

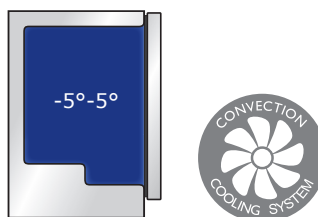
No additional clearance around sides, top or rear of unit is needed for ventilation.

Do not obstruct front grille air flow.

SPECIFICATIONS

Model	3024FZR
Amps: Running	2.4
Capacity: Volume (cu ft)	4.5
Control Type	U-Select®
Defrost Type	Frost Free
Dimensions: Product Depth	24" / 610 mm
Dimensions: Product Height	33 11/16" / 856 mm
Dimensions: Product Width	23 5/8" / 600 mm
Energy Consumption: Avg. Per Year	430 kWh
ENERGY STAR	No
Panel Height	30" / 762 mm
Panel Thickness	3/4" / 20 mm
Panel Type	Solid Panel
Panel Width	23 1/2" / 595 mm
Product Weight: Max	156 lb
Refrigerant Type	R134a
Sabbath (Star K Certified)	Yes
Temperature Range	-5°F to 5°F

COOLING SYSTEM



ELECTRICAL REQUIREMENTS

This unit requires a grounded, polarized 115 VAC, 60 Hz, 15 A power supply (normal household current).



Warranty

Please visit u-line.com to view this model's User Guide & Service Manual. All Specifications are subject to change without notice.