

3024RGL • 24" Glass Door Refrigerator • Modular 3000 Series

FEATURES & BENEFITS



STAINLESS FRAME



STAINLESS FRAME (LOCK)



INTEGRATED FRAME

| | |
|--------------------------|---|
| PERFORMANCE | <ul style="list-style-type: none"> • Volume of 4.9 cu ft holds up to 114 bottles (12 oz) or 172 cans (12 oz) • Temperature range: 34°F -70°F • Convection cooling system rapidly and efficiently takes items to the set temperature • U-Select® Control offers five distinct modes: Beverage: 34°F - 65°F, Deli: 34°F - 40°F, Market: 34°F - 40°F, Pantry: 34°F - 70°F, Root Cellar: 45°F - 55°F • U-Select® Control with digital OLED display is ergonomically located on top of door |
| INTERIOR/EXTERIOR | <ul style="list-style-type: none"> • Black interior is illuminated with LED theater lighting that automatically turns off when the door is closed, or can be set to stay on for 3, 6, or 24 hours • Four adjustable tempered glass shelves with 11 height positions • Full-extension, slide-out crisper drawer is removable for easy cleaning • LowE coated, argon gas filled thermopane glass door provides protection from harmful UV light • Standard commercial stainless steel handle is interchangeable with professional handle accessory • Must be ordered right-hand or left-hand hinged |
| INTEGRATION | <ul style="list-style-type: none"> • Robust, concealed and covered hinges with built-in door stop and closer • Adjustable grille can be shifted front-to-back and up-and-down • Integrated model requires 3/4" custom door panel (panels not supplied by U-Line) • Grille can accept an integrated toe-kick • Four independently adjustable leveling legs; rear legs are adjustable from the front for ease of installation |

MODEL DETAILS

| Model | Voltage/Hz | Door Swing | Finish | Shipping Weight |
|------------------|------------|------------------|------------------------|-----------------|
| U-3024RGLS-00A | 115 / 60 | Right-Hand Hinge | Stainless Frame | 145 lbs |
| U-3024RGLS-01A | 115 / 60 | Left-Hand Hinge | Stainless Frame | 145 lbs |
| U-3024RGLS-13A | 115 / 60 | Right-Hand Hinge | Stainless Frame (Lock) | 145 lbs |
| U-3024RGLS-15A | 115 / 60 | Left-Hand Hinge | Stainless Frame (Lock) | 145 lbs |
| U-3024RGLINT-00A | 115 / 60 | Right-Hand Hinge | Integrated Frame | 142 lbs |
| U-3024RGLINT-01A | 115 / 60 | Left-Hand Hinge | Integrated Frame | 142 lbs |

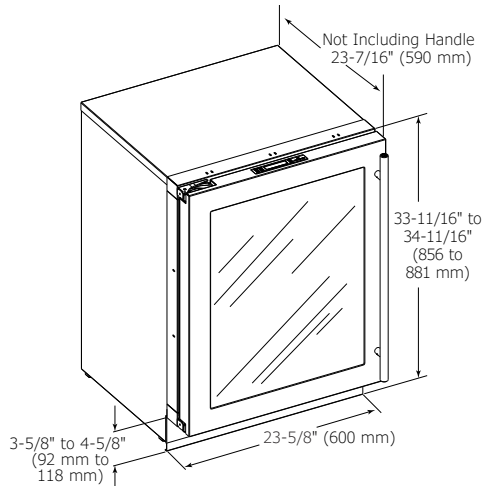
ACCESSORIES

| Model | Description | Finish | Shipping Weight |
|-------|---|-----------|-----------------|
| 23074 | Professional Door Handle, 1 1/4" Diameter | Stainless | 2 lbs |
| 23073 | Commercial Door Handle, 7/8" Diameter | Stainless | 2 lbs |

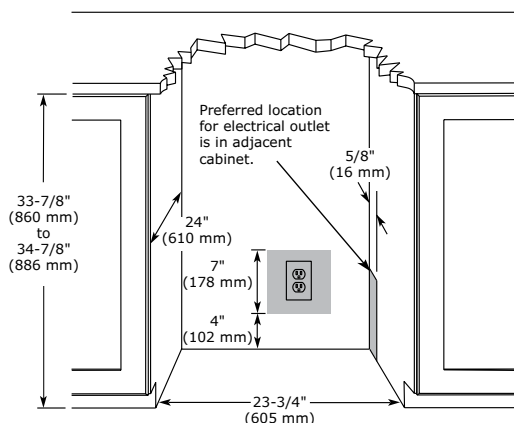
Modular 3000 Series • 24" Glass Door Refrigerator • 3024RGL

DIMENSIONS

Dimensions shown apply to all finishes, including Integrated (INT) models with 3/4" integrated panel/frame installed.



CABINET CUT-OUT



Metric measurements rounded and optimized.

INSTALLATION NOTES

When installing adjacent to wall, ensure 2 1/2" clearance on hinged side for 90° door opening, allowing ample room for door handle.

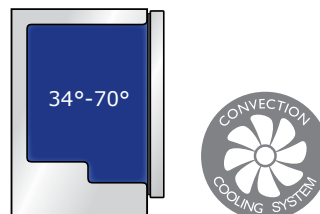
No additional clearance around sides, top or rear of unit is needed for ventilation.

Do not obstruct front grille air flow.

SPECIFICATIONS

| | |
|-----------------------------------|--------------------|
| Model | 3024RGL |
| Amps: Running | 1.2 |
| Capacity: Bottle (12 oz) | 114 |
| Capacity: Can (12 oz) | 172 |
| Capacity: Volume (cu ft) | 4.9 |
| Control Type | U-Select® |
| Dimensions: Product Depth | 23 7/16" / 590 mm |
| Dimensions: Product Height | 33 11/16" / 856 mm |
| Dimensions: Product Width | 23 5/8" / 600 mm |
| Energy Consumption: Avg. Per Year | 300 kWh |
| ENERGY STAR | No |
| Panel Height | 30" / 762 mm |
| Panel Thickness | 3/4" / 20 mm |
| Panel Type | Solid Panel |
| Panel Width | 23 1/2" / 595 mm |
| Product Weight: Max | 135 lbs |
| Refrigerant Type | R600a |
| Sabbath (Star K Certified) | Yes |
| Temperature Range | 34°F - 70°F |

COOLING SYSTEM



ELECTRICAL REQUIREMENTS

This unit requires a grounded a polarized 115 VAC, 60 Hz, 15 A power supply (normal household current).



Residential

Please visit u-line.com to view this model's User Guide. All specifications are subject to change without notice.