

3024R • 24" Solid Door Refrigerator • Modular 3000 Series

FEATURES & BENEFITS



STAINLESS SOLID



INTEGRATED SOLID



INTEGRATED SOLID (STAINLESS HANDLELESS PANEL)*

PERFORMANCE

- Volume of 4.9 cu ft holds up to 100 bottles (12 oz) or 141 cans (12 oz)
- Temperature range: 34°F - 70°F
- Convection cooling system rapidly and efficiently takes items to the set temperature
- U-Select® Control offers five distinct modes: Beverage: 34°F - 65°F, Deli: 34°F - 40°F, Market: 34°F - 40°F, Pantry: 34°F - 70°F, Root Cellar: 45°F - 55°F
- U-Select® Control with digital OLED display

INTERIOR/EXTERIOR

- Black interior is illuminated with LED theater lighting
- Three full-extension, slide-out drawers are removable for easy cleaning
- The middle bin has two possible positions and comes with a removable glass shelf to keep products stable
- The lower bin is large enough to fit 2 one-gallon containers with additional space for more storage
- 7/8" diameter stainless steel handle (not included on integrated models)
- The door swing is field reversible, and is shipped right-hand hinged

INTEGRATION

- Robust, concealed and covered hinges with built-in door stop and closer
- Adjustable grille can be shifted front-to-back and up-and-down
- Integrated model requires 3/4" custom panel of your choice, or can accept U-Line Euro Style Handleless Stainless Panel Accessory (must be ordered separately)
- Grille can accept an integrated toe-kick
- Four independently adjustable levelling legs provide a precise undercounter fit

MODEL DETAILS

Model	Voltage/Hz	Door Swing	Finish	Shipping Weight
U-3024RS-00B	115 / 60	Field Reversible	Stainless Solid	146 lb
U-3024RINT-00B	115 / 60	Field Reversible	Integrated Solid	138 lb

ACCESSORIES

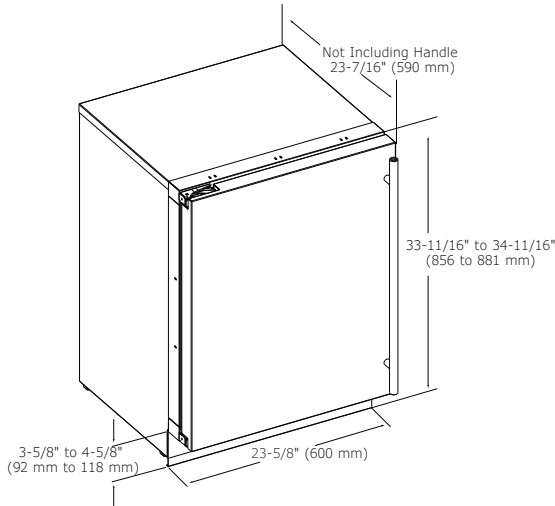
Model	Description	Finish	Shipping Weight
U-ESP60S*	Euro Style Handleless Panel, 24" Solid	Stainless	12 lb

*Installs on integrated models.

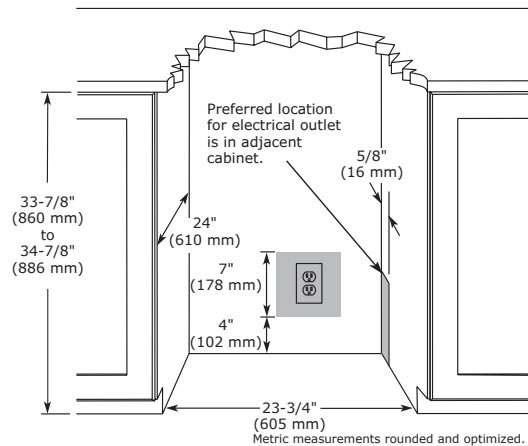
Modular 3000 Series • 24" Solid Door Refrigerator • 3024R

DIMENSIONS

Dimensions shown apply to all finishes, including Integrated (INT) models with 3/4" integrated panel/frame installed.



CABINET CUT-OUT



INSTALLATION NOTES

When installing adjacent to wall, ensure 2 1/2" clearance on hinged side for 90° door opening, allowing ample room for door handle.

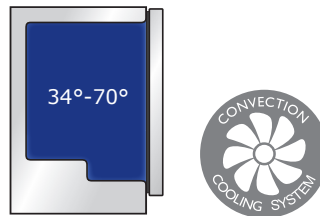
No additional clearance around sides, top or rear of unit is needed for ventilation.

Do not obstruct front grille air flow.

SPECIFICATIONS

Model	3024R
Amps: Running	1.2
Capacity: Bottle (12 oz)	100
Capacity: Can (12 oz)	141
Capacity: Volume (cu ft)	4.9
Control Type	U-Select®
Dimensions: Product Depth	23 7/16" / 590 mm
Dimensions: Product Height	33 11/16" / 856 mm
Dimensions: Product Width	23 5/8" / 600 mm
Energy Consumption: Avg. Per Year	240 kWh
ENERGY STAR / CEE RATING	ENERGY STAR / Tier 3
Panel Height	30" / 762 mm
Panel Thickness	3/4" / 20 mm
Panel Type	Solid Panel
Panel Width	23 1/2" / 595 mm
Product Weight: Max	136 lb
Refrigerant Type	R600a
Sabbath (Star K Certified)	Yes
Temperature Range	34°F - 70°F

COOLING SYSTEM



ELECTRICAL REQUIREMENTS

This unit requires a grounded, polarized 115 VAC, 60 Hz, 15 A power supply (normal household current).



Warranty

Please visit u-line.com to view this model's User Guide & Service Manual. All Specifications are subject to change without notice.