

**3036BVWC • 36" Beverage Center • Modular 3000 Series**

**FEATURES & BENEFITS**



<b>PERFORMANCE</b>	<ul style="list-style-type: none"> <li>• Volume of 7.0 cu ft holds up to 79 bottles (12 oz) or 123 cans (12 oz) and 31 wine bottles (750 ml)</li> <li>• Temperature range: Left: 38°F - 65°F / Right: 34°F - 70°F</li> <li>• Convection cooling system rapidly and efficiently takes items to the set temperature</li> <li>• U-Select® Control offers five distinct modes (right side): Beverage: 34°F - 40°F, Deli: 34°F - 40°F, Market: 34°F - 40°F, Pantry: 34°F - 70°F, Root Cellar: 45°F - 55°F</li> <li>• U-Select® Control offers four distinct modes (left side): Beverage: 38°F - 65°F, Sparkling Wine: 38°F - 50°F, White Wine: 45°F - 55°F, Red Wine: 55°F - 65°F</li> <li>• U-Select® Control with digital OLED display is ergonomically located on top of door</li> <li>• Independently controlled dual-zones</li> <li>• Relative humidity inside the unit is approx. 50%</li> <li>• Rubber mounted compressor virtually eliminates vibration</li> </ul>
<b>INTERIOR/EXTERIOR</b>	<ul style="list-style-type: none"> <li>• Black interior is illuminated with LED theater lighting that automatically turns off when the door is closed, or can be set to stay on for 3, 6, or 24 hours</li> <li>• Robust full-extension black vinyl coated wine racks allow for easy access and prevent bottles from shifting</li> <li>• Wine racks accommodate a variety of bottle shapes and sizes; the fourth and fifth racks allow for larger diameter wine and champagne bottles</li> <li>• Wine racks are designed to accommodate a variety of bottle shapes and sizes</li> <li>• The right compartment offers 3 adjustable tempered glass shelves with 11 height positions</li> <li>• The right compartment features a full-extension, slide-out crisper drawer that is removable for easy cleaning</li> <li>• LowE coated, argon gas filled thermopane glass door provides protection from harmful UV light</li> <li>• Standard commercial stainless steel handle is interchangeable with professional handle accessory</li> </ul>
<b>INTEGRATION</b>	<ul style="list-style-type: none"> <li>• Robust, concealed and covered hinges with built-in door stop and closer</li> <li>• Adjustable grille can be shifted front-to-back and up-and-down</li> <li>• Grille can accept a 1/4" custom integrated toe-kick</li> <li>• Integrated model requires 3/4" custom door panel (panels not supplied by U-Line)</li> <li>• Four independently adjustable leveling legs; rear legs are adjustable from the front for ease of installation</li> </ul>



STAINLESS FRAME



STAINLESS FRAME (LOCK)



INTEGRATED FRAME



INTEGRATED SOLID

**MODEL DETAILS**

Model	Voltage/Hz	Door Swing	Finish	Shipping Weight
U-3036BVWCS-00A	115 / 60	Double Doors	Stainless Frame	247 lbs
U-3036BVWCS-13A	115 / 60	Double Doors	Stainless Frame (Lock)	247 lbs
U-3036BVWCINT-00A	115 / 60	Double Doors	Integrated Frame	230 lbs
U-3036BVWCINT-60A	115 / 60	Double Doors	Integrated Solid	226 lbs

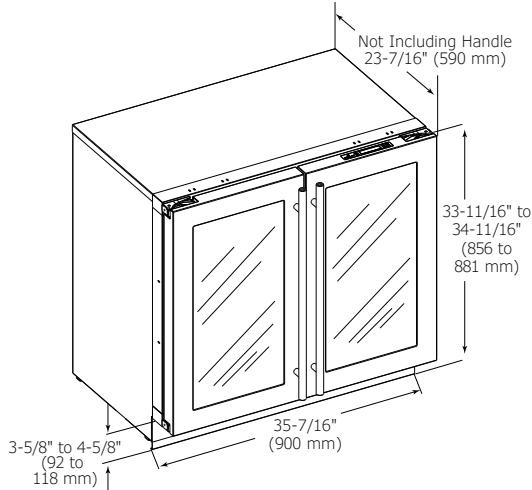
**ACCESSORIES**

Model	Description	Finish	Shipping Weight
23074	Professional Door Handle, 1 1/4" Diameter (1 handle per box)	Stainless	2 lbs
23073	Commercial Door Handle, 7/8" Diameter	Stainless	2 lbs

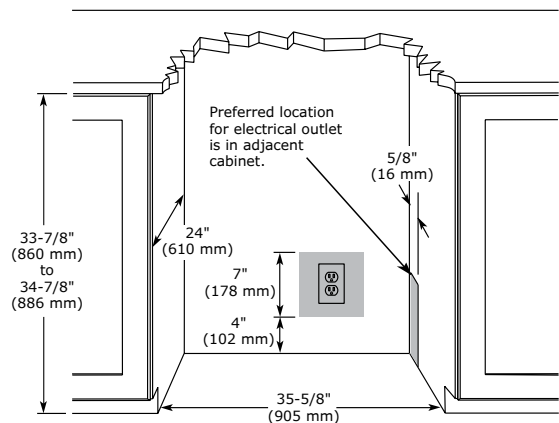
Modular 3000 Series • 36" Beverage Center • **3036BVWC**

**DIMENSIONS**

Dimensions shown apply to all finishes, including Integrated (INT) models with 3/4" integrated panel/frame installed.



**CABINET CUT-OUT**



Metric measurements rounded and optimized.

**INSTALLATION NOTES**

When installing adjacent to wall, ensure 2 1/2" clearance on hinged side for 90° door opening, allowing ample room for door handle.

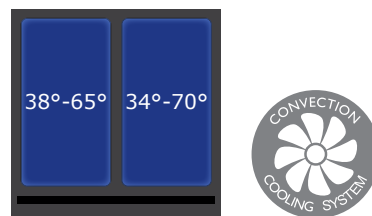
No additional clearance around sides, top or rear of unit is needed for ventilation.

Do not obstruct front grille air flow.

**SPECIFICATIONS**

Model	3036BVWC
Amps: Running	1.2
Capacity: Bottle (12 oz)	79
Capacity: Can (12 oz)	123
Capacity: Volume (cu ft)	7.0
Capacity: Wine Bottle (750 ml)	31
Control Type	U-Select®
Dimensions: Product Depth	23 7/16" / 590 mm
Dimensions: Product Height	33 11/16" / 856 mm
Dimensions: Product Width	35 7/16" / 900 mm
Energy Consumption: Avg. Per Year	321.5 kWh
ENERGY STAR	No
Panel Height	30" / 762 mm
Panel Thickness	3/4" / 20 mm
Panel Type	2 3/4" / 70 mm Frame Panel or Solid Panel (-60 suffix)
Panel Width	17 5/8" / 445 mm
Product Weight: Max	221 lbs
Refrigerant Type	R600a
Sabbath (Star K Certified)	Yes
Temperature Range	Left: 38°F - 65°F Right: 34°F - 70°F

**COOLING SYSTEM**



**ELECTRICAL REQUIREMENTS**

This unit requires a grounded a polarized 115 VAC, 60 Hz, 15 A power supply (normal household current).



Please visit [u-line.com](http://u-line.com) to view this model's User Guide. All specifications are subject to change without notice.