

# MODULAR 3000 SERIES

## Extended Integrated Panel/Extended Integrated Frame

### NOTICE

Due to differences in surrounding cabinetry the panel may not perfectly align with door. The procedure below is designed to provide a finished panel that seamlessly integrates with surrounding cabinetry.

### Panel Preparation

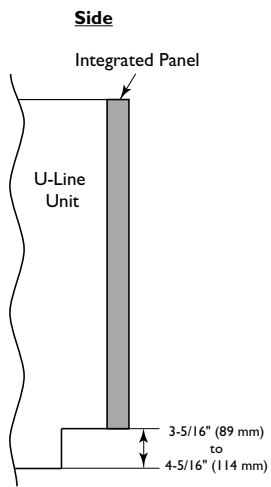
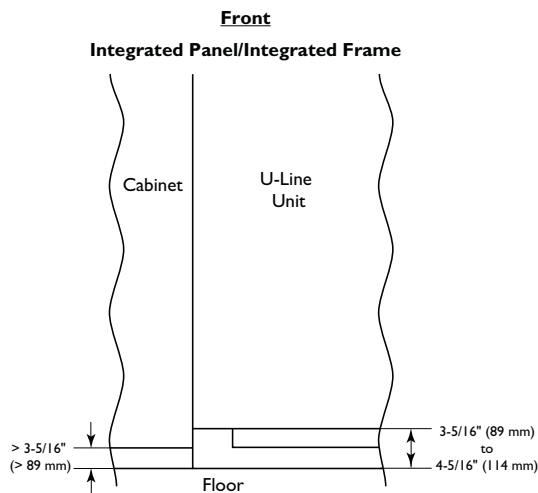
An extended integrated panel can be used to maintain alignment with an adjacent extended cabinet height or a reduced toe-kick/grille application.

1. Cut the panels to the dimensions listed in the appropriate diagram below.

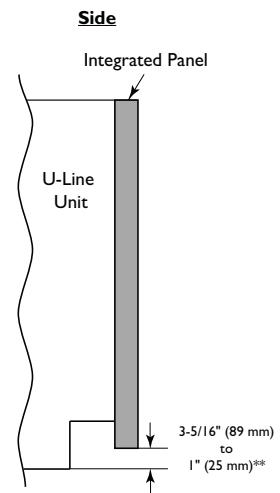
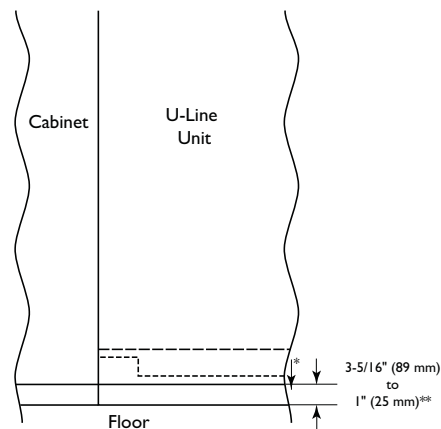
2. Optional: Stain or Finish panel to desired stain or color. Be sure to closely follow the instructions provided by the manufacturer.
3. Optional: Install handles and hardware.

### NOTICE

- The door panel must not weigh more than 20 lbs (9.1 kg).
- It is important to ensure that all drilled holes are drilled to the correct depth in order to avoid splits in the wood when hardware is installed.
- Appliance will need up to 34-1/2" (876.3 mm) to the under side of the counter to leave room for leveling adjustments.
- When applying an integrated panel/frame to a unit, ensure that both sides are finished in order to prevent warping. In some integrated frame installations, the integrated frame may be visible through the glass while the door is open.



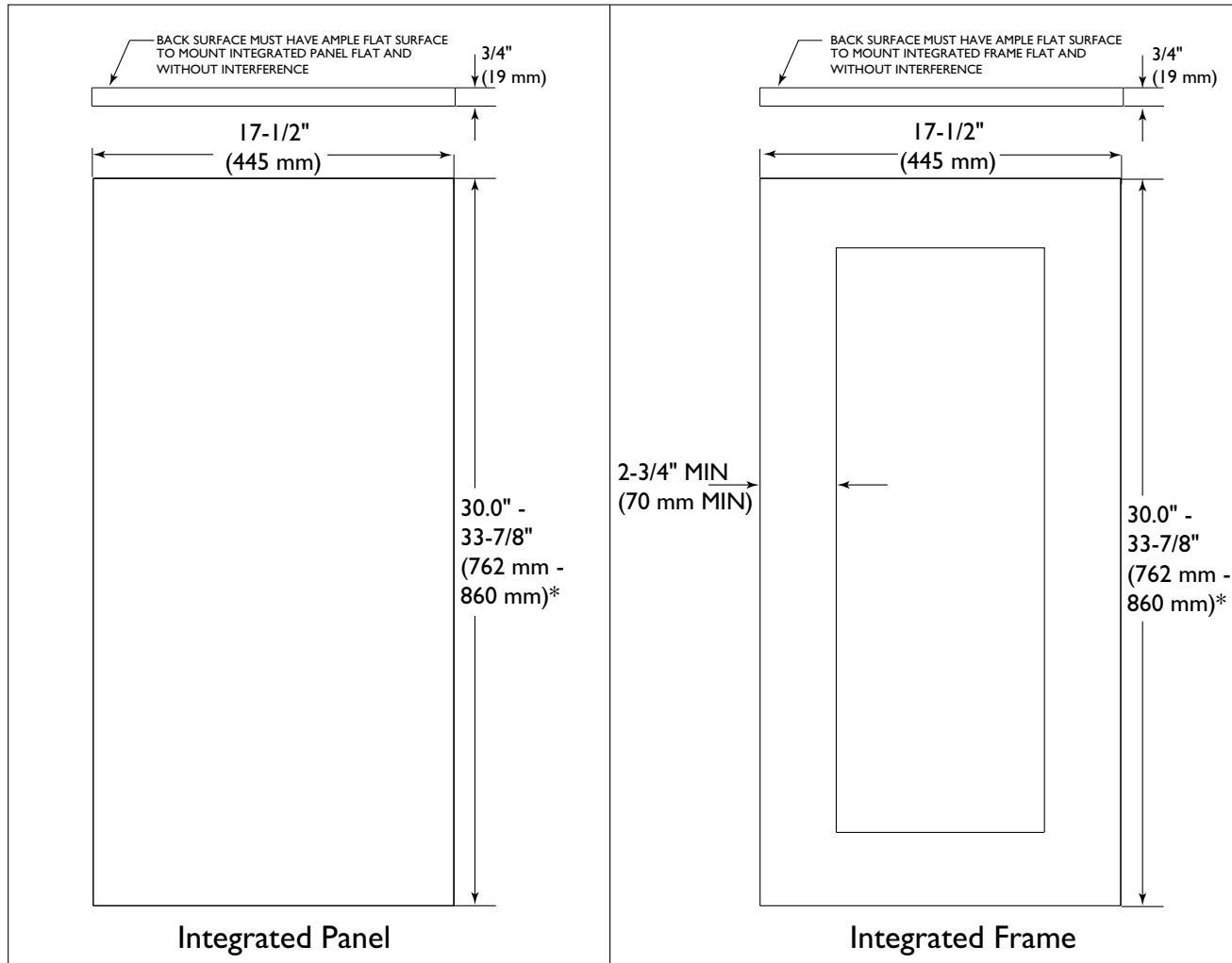
### Front Extended Integrated Panel/Extended Integrated Frame



\* Panel can extend beyond the door frame.  
 \*\* A minimum of 1" (25 mm) from the floor is required for proper ventilation.

## Extended Integrated Panel & Extended Integrated Frame Dimensions

3018 and 3036 Models (3045 and 3090 Models)

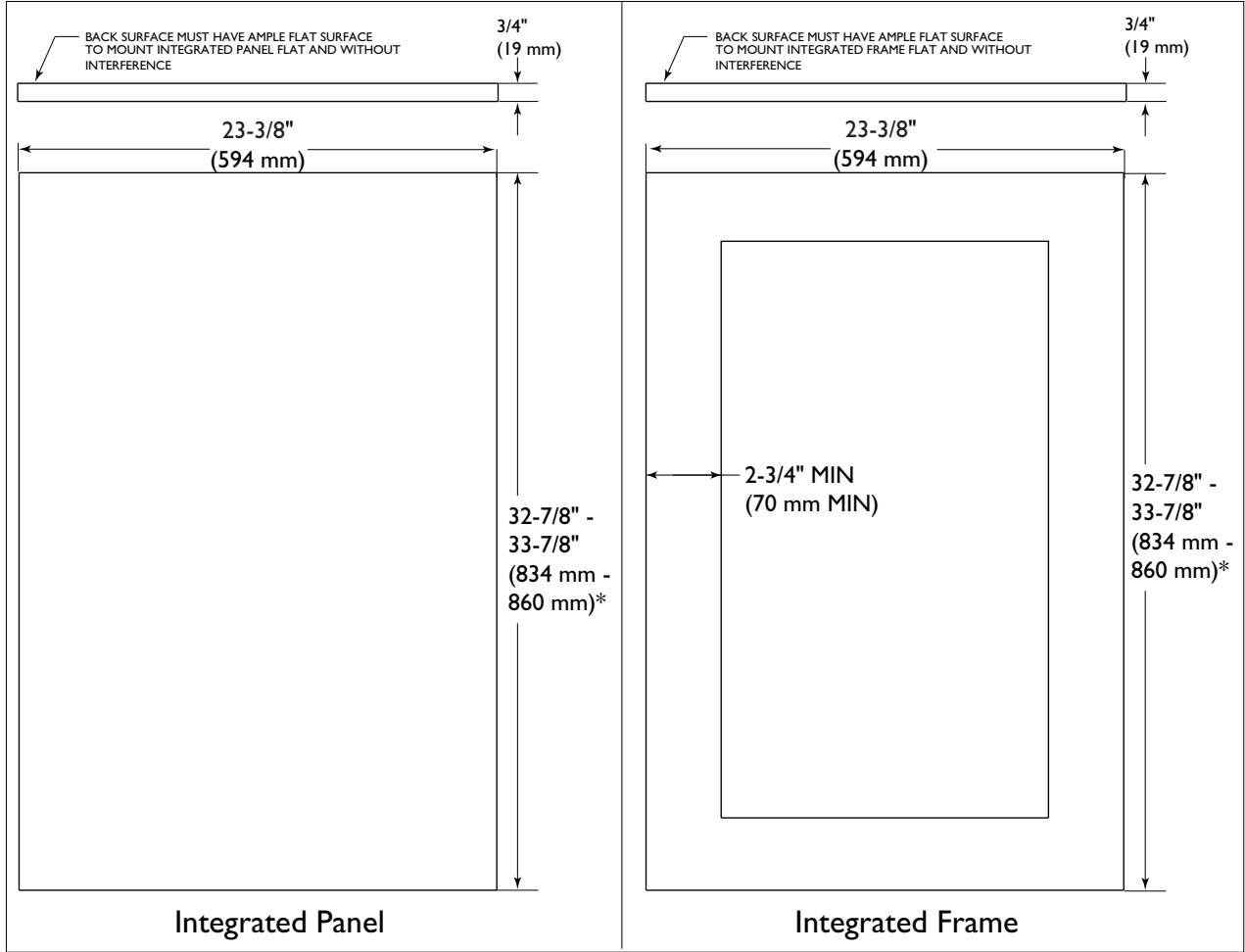


\* A minimum of 1" (25 mm) is required from the floor to the bottom of the extended integrated panel/frame for proper ventilation.

### NOTICE

The minimum border thickness for a 30" (762 mm) tall integrated frame is 2-3/4" (70 mm). The top/bottom border of the frame must account for any additional length.

3024 Models (3060 Models)



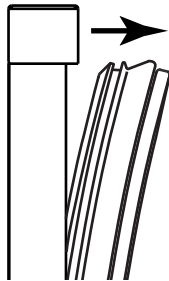
\* A minimum of 1" (25 mm) is required from the floor to the bottom of the extended integrated panel/frame for proper ventilation.

**NOTICE**

The minimum border thickness for a 30" (762 mm) tall integrated frame is 2-3/4" (70 mm). The top/bottom border of the frame must account for any additional length.

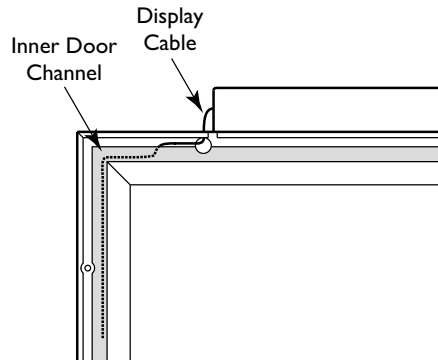
**Panel Installation**

1. Fully open door.
2. Starting at corner, pull gasket away from door.
3. Continue to pull gasket free from gasket channel.
4. Upon removal, lay gasket down on a flat surface.



**NOTICE**

If working with the door that houses the display, make certain the display cable remains securely seated in the inner door channel, see below.



## PRODUCT INFORMATION

Complete Installation Instructions, Operating Instructions, Product Fiche, CAD Drawings, Integrated (Overlay) Panel/Frame Instructions, Compliance Documentation and Applicable Energy Guides are available for reference and download at [u-line.com](http://u-line.com).

## SERVICE INFORMATION

Please consult your Use and Care Guide (Operating Instructions) for troubleshooting information. Answers to Customer Frequently Asked Questions are available at [u-line.com](http://u-line.com) under Customer Service.

### GENERAL INQUIRIES:

U-Line Corporation  
P.O. Box 245040  
Milwaukee, Wisconsin 53224-9540 U.S.A.  
Phone +1 414-354-0300  
FAX +1 414-354-7905

### SERVICE ASSISTANCE:

**North America**  
Phone +1 800-779-2547  
FAX +1 414-354-5696  
Email: [onlineservice@u-line.com](mailto:onlineservice@u-line.com)  
[www.u-lineservice.com](http://www.u-lineservice.com)

### SERVICE ASSISTANCE:

**Global**  
**IMPORTER LISTING:** [u-line.com/intl](http://u-line.com/intl)  
Email: [intl@u-line.com](mailto:intl@u-line.com)  
[www.u-lineservice.com](http://www.u-lineservice.com)

### PARTS ASSISTANCE:

E-mail: [onlineparts@u-line.com](mailto:onlineparts@u-line.com)

---

## BUILDING ON THREE GENERATIONS OF INNOVATION

For nearly five decades and through three generations, U-Line continues to be the American leader in innovation, quality and performance in the premium built-in undercounter ice making, refrigeration and wine preservation market. U-Line has captivated those with an appreciation for the finer things with exceptional functionality, style, inspired innovation and attention to even the smallest details. We are known and respected for our unwavering dedication to product design, quality and selection.

In 1962, Henry Uihlein founded U-Line Corporation as an outgrowth of Ben-Hur Freezer Company and was the first to develop and patent an automatic stand-alone undercounter residential ice maker. His foresight and determination to develop new ideas and to succeed when there were no clear guidelines or solutions are evident today. The newest Uihlein generation continues to build upon the family's innovative legacy by providing continuity and vision from which new designs and technology continue to be born.

U-Line products deliver versatility and flexibility for multiple applications including residential, light commercial, outdoor and marine use, U-Line's complete product collection includes undercounter ice makers, Combo® Model ice maker/refrigerators, Wine Captain® Model wine preservation appliances, refrigerators, refrigerator freezers and refrigerator drawer models. U-Line is headquartered in Milwaukee, Wisconsin with a west coast office located in Laguna Beach, California; and European support in Dublin, Ireland and Barcelona, Spain.

**DESIGNED, ENGINEERED AND ASSEMBLED IN MILWAUKEE, WISCONSIN, USA**