

**3060R • 60 cm Solid Door Refrigerator • Modular 3000 Series**

**FEATURES & BENEFITS**



INTEGRATED SOLID



STAINLESS SOLID

<b>PERFORMANCE</b>	<ul style="list-style-type: none"> <li>• Volume of 139 litres holds up to 100 bottles (330 ml) or 141 cans (330 ml)</li> <li>• Temperature range: 1°C - 21°C</li> <li>• Convection cooling system rapidly and efficiently takes items to the set temperature</li> <li>• U-Select® Control offers five distinct modes: Drinks: 1°C-18°C, Deli: 1°C-4°C, Fresh: 1°C-4°C, Pantry: 1°C-21°C, Root Cellar: 7°C-13°C</li> <li>• U-Select® Control with digital OLED display is conveniently located on upper face of unit</li> </ul>
<b>INTERIOR/EXTERIOR</b>	<ul style="list-style-type: none"> <li>• Black interior is illuminated with LED theatre lighting</li> <li>• Three full-extension, slide-out drawers are removable for easy cleaning</li> <li>• The middle bin has two possible positions and comes with a removable glass shelf to keep products stable</li> <li>• The lower bin is large enough to up to 4 one-litre containers with additional space for more storage</li> <li>• Door swing is field reversible. Unit is shipped with door installed right-hand hinged</li> </ul>
<b>INTEGRATION</b>	<ul style="list-style-type: none"> <li>• To achieve a stainless steel finish, a Euro Style panel accessory must be ordered and installed on an integrated model. Euro Style Panel Accessory must be installed on corresponding unit type (Frame/Solid)</li> <li>• Robust, concealed and covered hinges with built-in door stop and closer</li> <li>• Adjustable grille/fascia can be shifted front-to-back and up-and-down</li> <li>• Grille/fascia can accept a custom integrated plinthe</li> <li>• Integrated model requires 20 mm custom panel of your choice, or can accept U-Line Euro Style Stainless Steel Panel Accessory (must be ordered separately)</li> <li>• Four independently adjustable leveling legs; rear legs are adjustable from the front for ease of installation</li> </ul>

**MODEL DETAILS**

Model	Voltage/Hz	Door Swing	Finish	Shipping Weight
U-3060RINT-00B	220-240 / 50	Field Reversible	Integrated Solid	69 kg

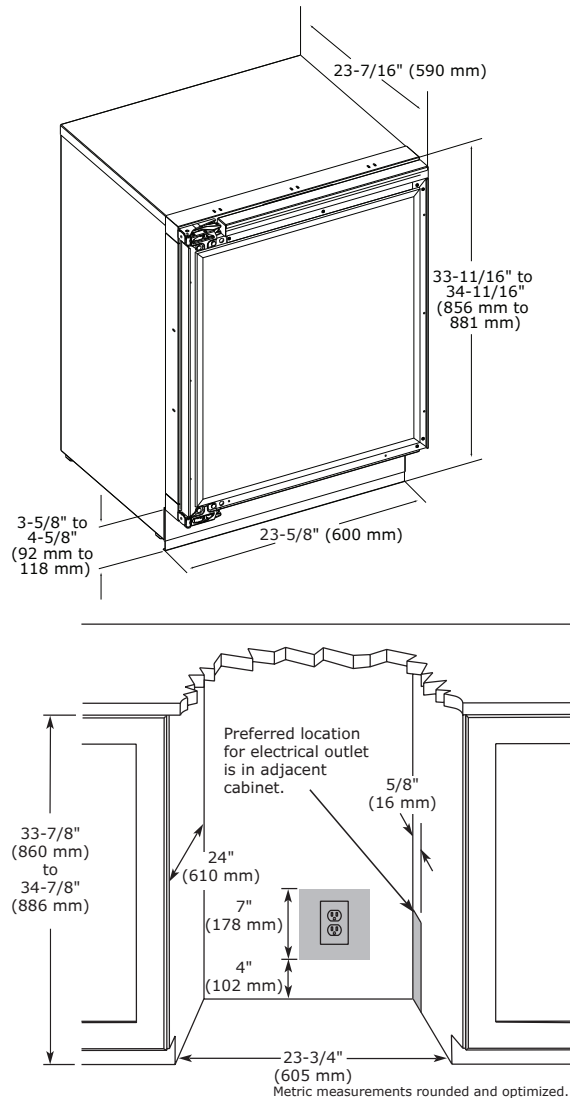
**ACCESSORIES**

Model	Description	Finish	Shipping Weight
U-ESP60S*	Euro Style Panel Solid 60 cm	Stainless Solid	5 kg
80-33027-01	60 cm Slide and Divide Bin Organizer, 3000 Series	na	1 kg

\*Installs on integrated models.

**Modular 3000 Series • 60 cm Solid Door Refrigerator • 3060R**
**NICHE / RECESS**

Dimensions shown apply to Integrated (INT) models with a 20 mm integrated panel/frame installed (applies to U-Line's Euro Stainless Steel Panel Accessory).


**PRODUCT FICHE**

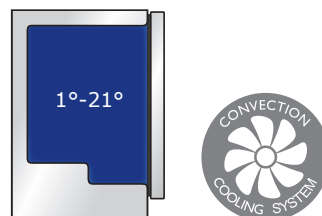
Model	3060R
Category	3
Energy efficiency class on a scale of A+++ to G	A+
Energy consumption in kWh per year	117 kWh
Total volume: fridge compartment (net)	136 L
Total volume: wine compartment (net)	N/A
Total volume: freezer compartment (net)	N/A
Frost-free compartment	Yes
Temperature rise time in event of blackout (hrs)	N/A
Climate class	ST
Noise emissions	46 dBA
Dimensions: width	600 mm
Dimensions: depth	590 mm
Dimensions: height	856 mm
Net weight: solid door	64 kg
Net weight: glass door	N/A
Panel type	Solid Panel (-00 Suffix)
Panel thickness	20 mm
Panel height	762 mm
Panel width	595 mm
Rated frequency	50 Hz
Rated voltage	220-240 v
Refrigerant charge	45 g
Foam blowing agent	HFO-1233zd
Marine capable	Yes*

**INSTALLATION NOTES**

No additional clearance around sides, top or rear of unit is needed for ventilation.

Do not obstruct front grille/fascia air flow.

For cabinet depths less than 620 mm, electrical socket must be located in the adjacent cabinet or recess in the wall. The power cord length is 180 cm.

**COOLING SYSTEM**


\*Must be installed in a climate controlled environment and operate within the temperatures designated in U-Line's Limited Warranty.

Please visit [U-Line.com](http://U-Line.com) to view this model's User Guide. All specifications are subject to change without notice.