

3060RDC • 60 cm Drinks Cabinets • Modular 3000 Series

FEATURES & BENEFITS



INTEGRATED FRAME



STAINLESS FRAME

PERFORMANCE	<ul style="list-style-type: none"> • Volume of 139 litres holds up to 114 bottles (330 ml) or 172 cans (330 ml) • Temperature range: 1°C - 21°C • Convection cooling system rapidly and efficiently takes items to the set temperature • U-Select® Control offers five distinct modes: Drinks: 1°C- 18°C, Deli: 1°C- 4°C, Fresh: 1°C- 4°C, Pantry: 1°C- 21°C, Root Cellar: 7°C - 13°C • U-Select® Control with digital OLED display is conveniently located on upper face of unit
INTERIOR/EXTERIOR	<ul style="list-style-type: none"> • Black interior is illuminated with LED theatre lighting that automatically turns off when the door is closed, or can be set to stay on for 3, 6, or 24 hours • Four adjustable tempered glass shelves with 11 height positions • Full-extension, slide-out crisper drawer is removable for easy cleaning • LowE coated, argon gas filled triple thermopane glass door provides protection from harmful UV light • Door swing is field reversible. Unit is shipped with door installed right-hand hinged
INTEGRATION	<ul style="list-style-type: none"> • To achieve a stainless steel finish, a Euro Style panel accessory must be ordered and installed on an integrated model. Euro Style Panel Accessory must be installed on corresponding unit type (Frame/Solid) • Robust, concealed and covered hinges with built-in door stop and closer • Adjustable grille/fascia can be shifted front-to-back and up-and-down • Grille/fascia can accept a custom integrated plinthe • Integrated model requires 20 mm custom panel of your choice, or can accept U-Line Euro Style Stainless Steel Panel Accessory (must be ordered separately) • Four independently adjustable leveling legs; rear legs are adjustable from the front for ease of installation

MODEL DETAILS

Model	Voltage/Hz	Door Swing	Finish	Shipping Weight
U-3060RDCINT-00B	220-240 / 50	Field Reversible	Integrated Frame	71 kg

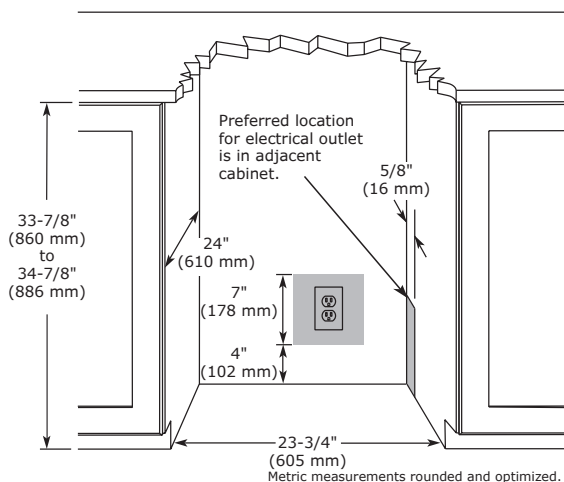
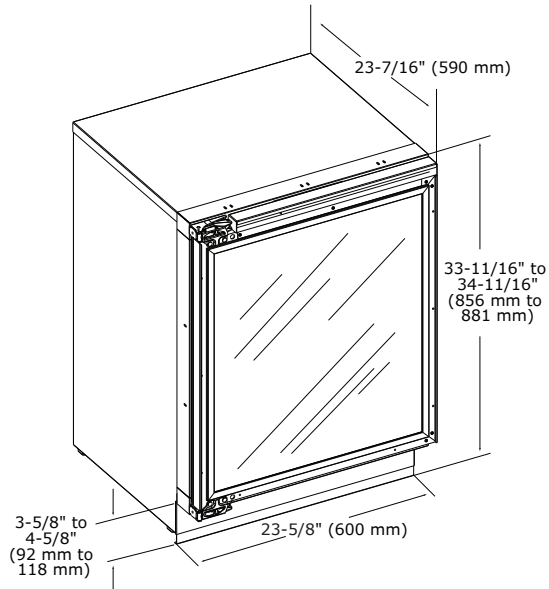
ACCESSORIES

Model	Description	Finish	Shipping Weight
U-ESPF60S*	Euro Style Panel Frame 60 cm	Stainless Frame	4 kg

*Installs on integrated models.

Modular 3000 Series • 60 cm Drinks Cabinets • **3060RDC**
NICHE / RECESS

Dimensions shown apply to Integrated (INT) models with a 20 mm integrated panel/frame installed (applies to U-Line's Euro Stainless Steel Panel Accessory).


INSTALLATION NOTES

No additional clearance around sides, top or rear of unit is needed for ventilation.

Do not obstruct front grille/fascia air flow.

For cabinet depths less than 620 mm, electrical socket must be located in the adjacent cabinet or recess in the wall. The power cord length is 180 cm.

*Must be installed in a climate controlled environment and operate within the temperatures designated in U-Line's Limited Warranty.

Please visit U-Line.com to view this model's User Guide. All specifications are subject to change without notice.

PRODUCT FICHE

Model	3060RDC
Category	3
Energy efficiency class on a scale of A+++ to G	A+
Energy consumption in kWh per year	117 kWh
Total volume: fridge compartment (net)	133 L
Total volume: wine compartment (net)	N/A
Total volume: freezer compartment (net)	N/A
Frost-free compartment	Yes
Temperature rise time in event of blackout (hrs)	N/A
Climate class	ST
Noise emissions	46 dBA
Dimensions: width	600 mm
Dimensions: depth	590 mm
Dimensions: height	856 mm
Net weight: solid door	N/A
Net weight: glass door	66 kg
Panel type	Frame Panel (-00 Suffix)
Panel thickness	20 mm
Panel height	762 mm
Panel width	595 mm
Rated frequency	50 Hz
Rated voltage	220-240 v
Refrigerant charge	45 g
Foam blowing agent	HFO-1233zd
Marine capable	Yes*

COOLING SYSTEM
