

**3060ZWC • 60 cm Independent Dual-Zone Wine Cellar • Modular 3000 Series**

**FEATURES & BENEFITS**



INTEGRATED FRAME



INTEGRATED SOLID



STAINLESS FRAME



STAINLESS SOLID

<b>PERFORMANCE</b>	<ul style="list-style-type: none"> <li>• Volume of 133 litres holds up to 43 wine bottles (0,75 L)</li> <li>• Temperature range: 1°C - 18°C</li> <li>• U-Select® Control offers four distinct modes: Drinks: 1°C - 18°C, Sparkling Wine: 3°C - 10°C, White Wine: 7°C - 13°C, Red Wine: 13°C - 18°C</li> <li>• U-Select® Control with digital OLED display is conveniently located on upper face of unit</li> <li>• Independently controlled dual-zones</li> <li>• Relative humidity inside the unit is approx. 50%</li> <li>• Rubber mounted compressor virtually eliminates vibration</li> </ul>
<b>INTERIOR/EXTERIOR</b>	<ul style="list-style-type: none"> <li>• Black interior is illuminated with LED theatre lighting that automatically turns off when the door is closed, or can be set to stay on for 3, 6, or 24 hours</li> <li>• Robust full-extension black vinyl coated wine racks allow for easy access and prevent bottles from shifting</li> <li>• Wine racks accommodate a variety of bottle shapes and sizes; the third and sixth racks allow for larger diameter wine and champagne bottles</li> <li>• LowE coated, argon gas filled triple thermopane glass door provides protection from harmful UV light</li> <li>• Door swing is field reversible. Unit is shipped with door installed right-hand hinged</li> </ul>
<b>INTEGRATION</b>	<ul style="list-style-type: none"> <li>• To achieve a stainless steel finish, a Euro Style panel accessory must be ordered and installed on an integrated model. Euro Style Panel Accessory must be installed on corresponding unit type (Frame/Solid)</li> <li>• Robust, concealed and covered hinges with built-in door stop and closer</li> <li>• Adjustable grille/fascia can be shifted front-to-back and up-and-down</li> <li>• Grille/fascia can accept a custom integrated plinthe</li> <li>• Integrated model requires 20 mm custom panel of your choice, or can accept U-Line Euro Style Stainless Steel Panel Accessory (must be ordered separately)</li> <li>• Four independently adjustable leveling legs; rear legs are adjustable from the front for ease of installation</li> </ul>

**MODEL DETAILS**

Model	Voltage/Hz	Door Swing	Finish	Shipping Weight
U-3060ZWCINT-00B	220-240 / 50	Field Reversible	Integrated Frame	72 kg
U-3060ZWCINT-60B	220-240 / 50	Field Reversible	Integrated Solid	69 kg

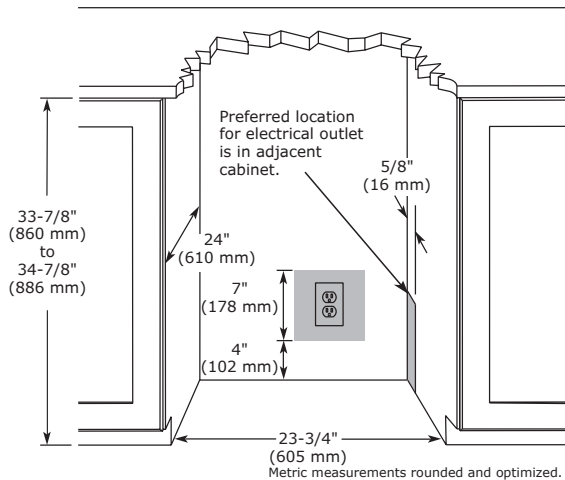
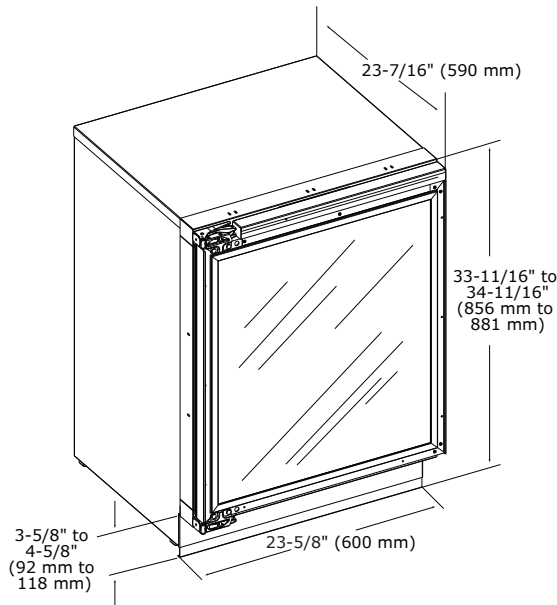
**ACCESSORIES**

Model	Description	Finish	Shipping Weight
U-ESPF60S*	Euro Style Panel Frame 60 cm	Stainless Frame	4 kg
U-ESP60S*	Euro Style Panel Solid 60 cm	Stainless Solid	5 kg

\*Installs on integrated models.

**Modular 3000 Series • 60 cm Independent Dual-Zone Wine Cellar • 3060ZWC**
**NICHE / RECESS**

Dimensions shown apply to Integrated (INT) models with a 20 mm integrated panel/frame installed (applies to U-Line's Euro Stainless Steel Panel Accessory).


**PRODUCT FICHE**

Model	3060ZWC
Category	2
Energy efficiency class on a scale of A+++ to G	A
Energy consumption in kWh per year	117 kWh
Total volume: fridge compartment (net)	N/A
Total volume: wine compartment (net)	130 L
Total volume: freezer compartment (net)	N/A
Frost-free compartment	Yes
Temperature rise time in event of blackout (hrs)	N/A
Climate class	ST
Noise emissions	46 dBA
Dimensions: width	600 mm
Dimensions: depth	590 mm
Dimensions: height	856 mm
Net weight: solid door	64 kg
Net weight: glass door	67 kg
Panel type	Frame Panel (-00 suffix) or Solid Panel (-60 suffix)
Panel thickness	20 mm
Panel height	762 mm
Panel width	595 mm
Rated frequency	50 Hz
Rated voltage	220-240 v
Refrigerant charge	38 g
Foam blowing agent	HFO-1233zd
Marine capable	Yes*

**INSTALLATION NOTES**

No additional clearance around sides, top or rear of unit is needed for ventilation.

Do not obstruct front grille/fascia air flow.

For cabinet depths less than 620 mm, electrical socket must be located in the adjacent cabinet or recess in the wall. The power cord length is 180 cm.

\*Must be installed in a climate controlled environment and operate within the temperatures designated in U-Line's Limited Warranty.

This appliance is intended to be used exclusively for the storage of wine.

Please visit [U-Line.com](http://U-Line.com) to view this model's User Guide. All specifications are subject to change without notice.

**COOLING SYSTEM**
