



Full Overlay Door Panel Installation Instructions for Models 2075, 2015 and CLR 2060

U-Line Corporation
P.O. Box 245040 • Milwaukee, WI 53224-9540
Phone 414.354.0300 • FAX 414.354.7905

Part Number	Description	Quantity
12041	Insert 8mm Plug	2
42120	Spacer Nylon 3/8 OD x .19 ID	8
42121	Screw #10 x 5/8 Round Head	8
42122	Screw #6 x 1/2 Large Flat Head	2
11901-2*	Pivot Plate Wood	1
12020*	Wood Panel Bottom Hinge	1
12021*	Wood Panel Top Hinge	1
12029*	Top Pivot Bracket	1
31672	Door Closer - Male	1
31673	Door Closer - Female	1
42161-ZP	Screw #8-32 x 3/8 Hex Sems	2
42096	Pivot Post	2
42101	Screw #8-32 x 1/2 Flat Head	6
80-17006-01**	2015 BLK Modified Top Handle Assy.	1
80-17006-02**	2015 WHT Modified Top Handle Assy.	1
80-17006-03**	2075 BLK Modified Top Handle Assy.	1
80-17006-04**	2075 WHT Modified Top Handle Assy.	1

*Specify Black or White

**Only one handle is included with this kit

1. REMOVE EXISTING DOOR FROM THE CABINET

- a. Remove top hinge screw pin (7/64" hex key). Remove the door by tilting forward and lifting off the bottom hinge pin.
- b. Pull door gasket out of the groove (top edge of door only). Start in the middle and pull outward, moving toward the edge (see Figure 1). This may take some force.
- c. Remove the three screws located on the back of the handle (see Figure 2).
- d. Remove the top handle and discard. (This handle will be replaced with the modified handle included in the full overlay kit.)
- e. Remove the two screws located on both sides of the lower handle. Remove the handle.
- f. Attach the modified handle to the lower handle using the three screws removed in Step 1 C. Set aside.
- g. Slide the existing door panel out of the door frame.

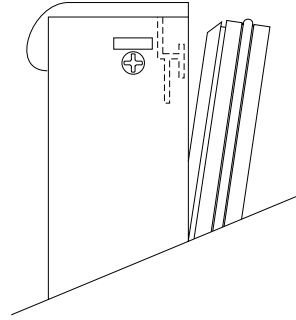


Figure 1

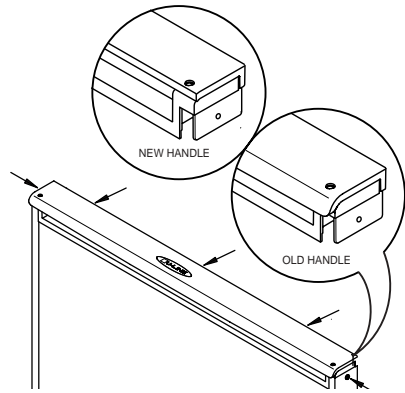


Figure 2

2. PREPARE THE NEW OVERLAY PANEL

Refer to the Full Overlay Panel Preparation instruction sheet.

IMPORTANT

The full overlay door panel must not weigh more than 20 lbs. The thickness of the door panel must be 3/4".

3. ATTACHING THE FULL OVERLAY PANEL

- a. Tap nylon inserts into the top holes drilled in the wood panel. Use two #6 screws (P/N 42122) to attach top pivot bracket (P/N 12029) to the wood door panel (see Figure 3).

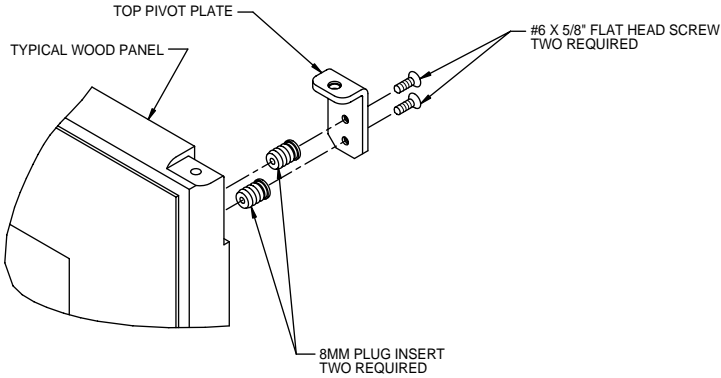


Figure 3

- b. If required, attach optional cabinet handle hardware to the wood door panel at this time.
- c. Place and tape the existing door panel on the back of the wood panel (see Figure 4) and drill holes through both panels according to the diagram (see Figure 5). Remove tape from the door panel, and enlarge the seven holes in the front panel using a 0.201" (#7) drill.

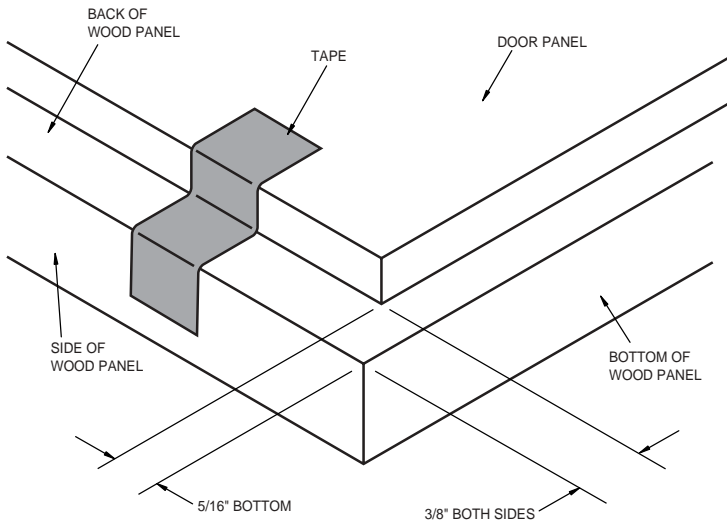


Figure 4

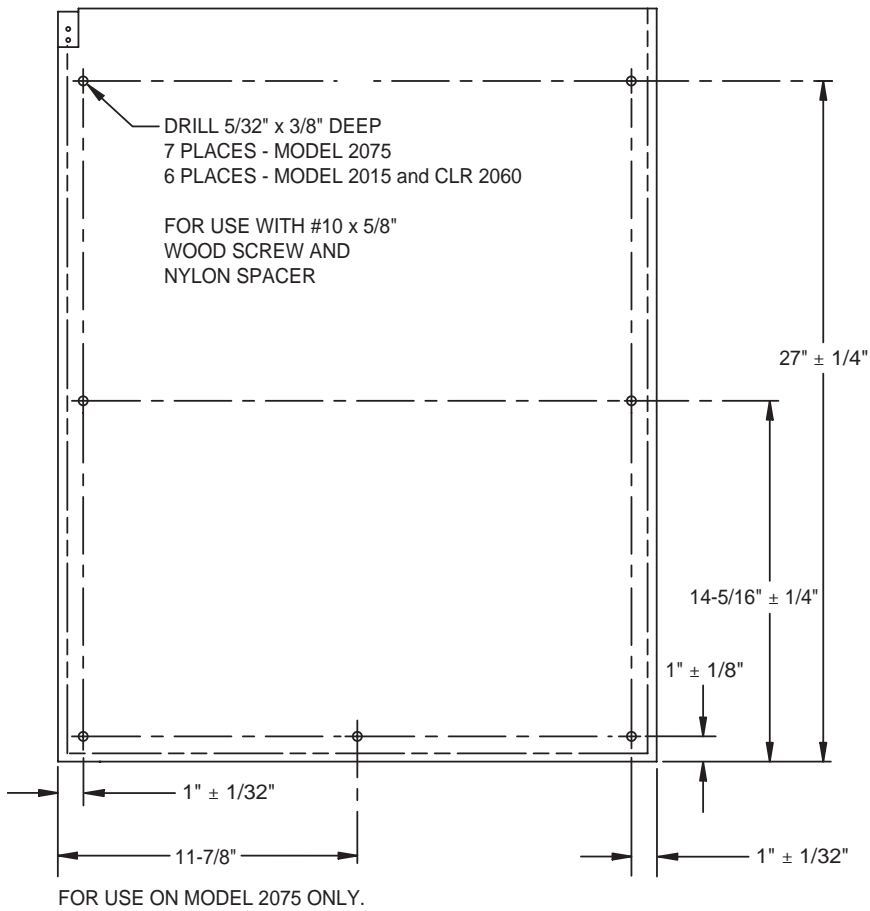


Figure 5

IMPORTANT

For Models 2015 and CLR 2060, omit the center hole.

- d. Attach the door panel to the wood panel using #10 x 5/8" (P/N 42121) wood screws and nylon spacers (P/N 42120). The nylon spacers fit between the wood panel and the door panel as shown (see Figure 6).

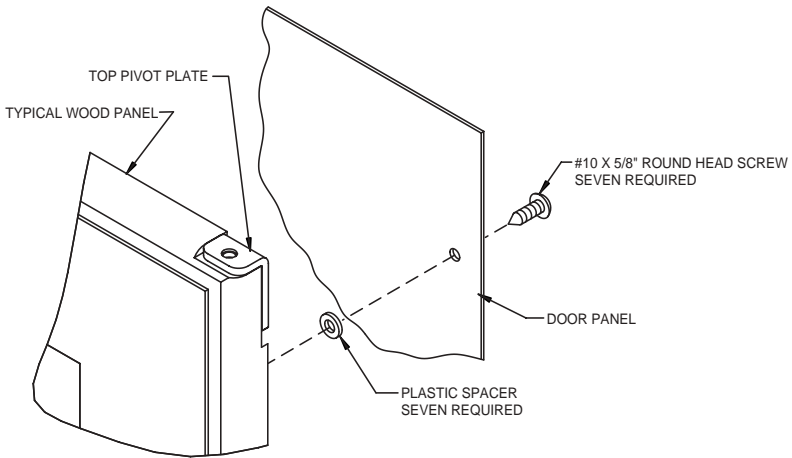


Figure 6

IMPORTANT

Door panel and wood panel must be aligned properly or door will not operate correctly.

- e. Remove the existing bottom pivot plate and replace with the overlay panel pivot plate (P/N11901-2) (see Figure 7).

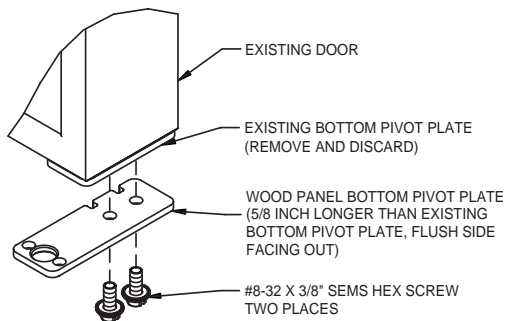


Figure 7

4. ASSEMBLING THE DOOR AND WOOD PANEL

- a. Install the overlay panel by sliding the door panel back into the door frame.
- b. Replace the two-piece modified handle assembly and secure with the two screws removed in Step 1 E.
- c. Starting at the corners and working toward the center, push the door gasket back into place.

5. INSTALLING THE DOOR

- a. Remove the existing hinges from the cabinet, saving the door closure assembly.
- b. Install the top (P/N 12021) hinge to the cabinet (see Figure 8).

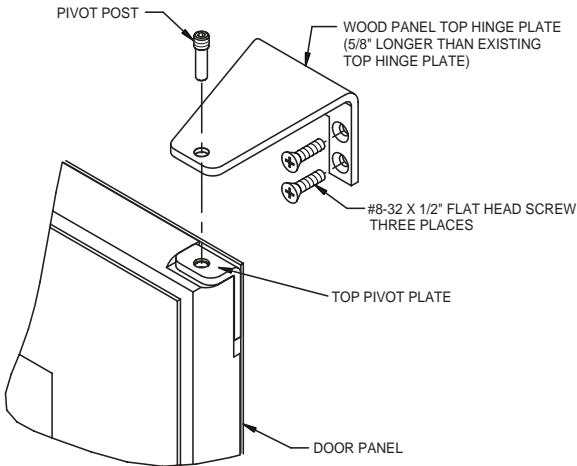


Figure 8

- c. Install the pivot post (P/N 42096) into the bottom hinge (using the 7/64" hex key) and install the hinge onto the cabinet.
- d. Replace the door closure assembly onto the bottom pivot post (see Figure 9). Be sure that bosses on closures align with holes in hinge and hinge plate.

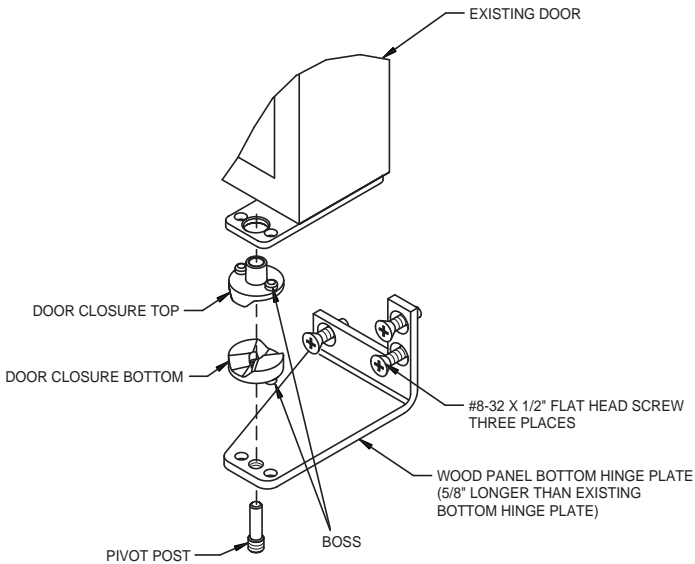


Figure 9

IMPORTANT

Pivot posts must be cleaned. Closers must also be clean and greased to ensure proper operation.

- e. Place the modified door onto the pivot post.
- f. Position door and install the pivot post (P/N 42096) into the top hinge (using the 7/64" hex key).
- g. Adjust door as needed for proper closure.
- h. Check to see that light switch actuator bracket is contacting the light switch properly.

IMPORTANT

The full overlay door panel must not weigh more than 20 lbs. The thickness of the door panel must be 3/4".

1. Cut door panel to proper size (**Figure 1**). Be sure to note which model the door will be used on.

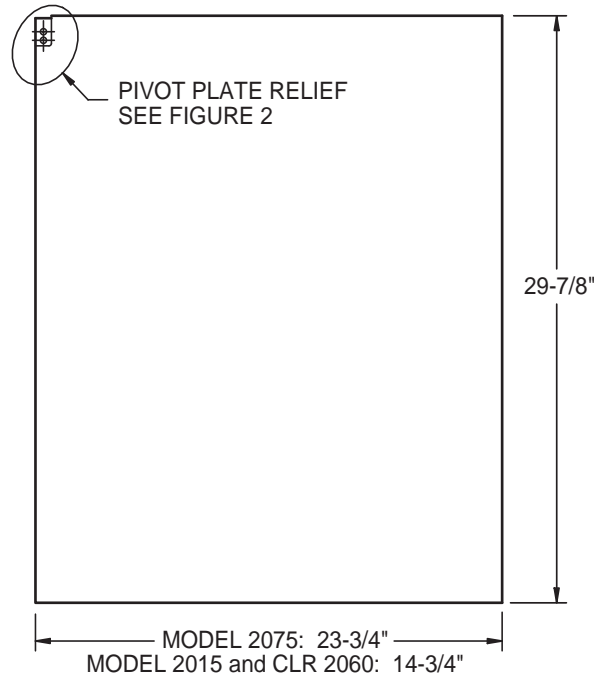


Figure 1
Rear View of Wood Panel For Right Hand Hinge Shown.
Use Mirror Image For Left Hand Hinges.

2. Create a relief (**Figure 2**) for pivot plate by cutting notch in top corner and coinciding back corner of panel. Refer to the following figures for exact specifications.

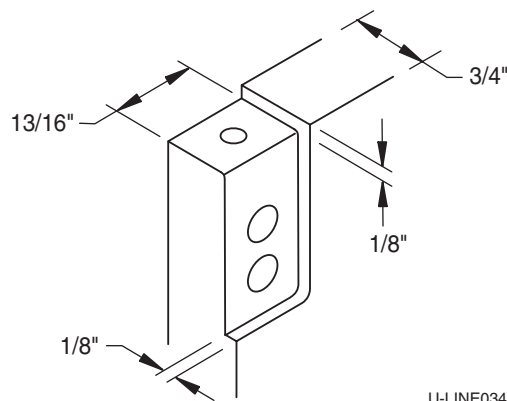
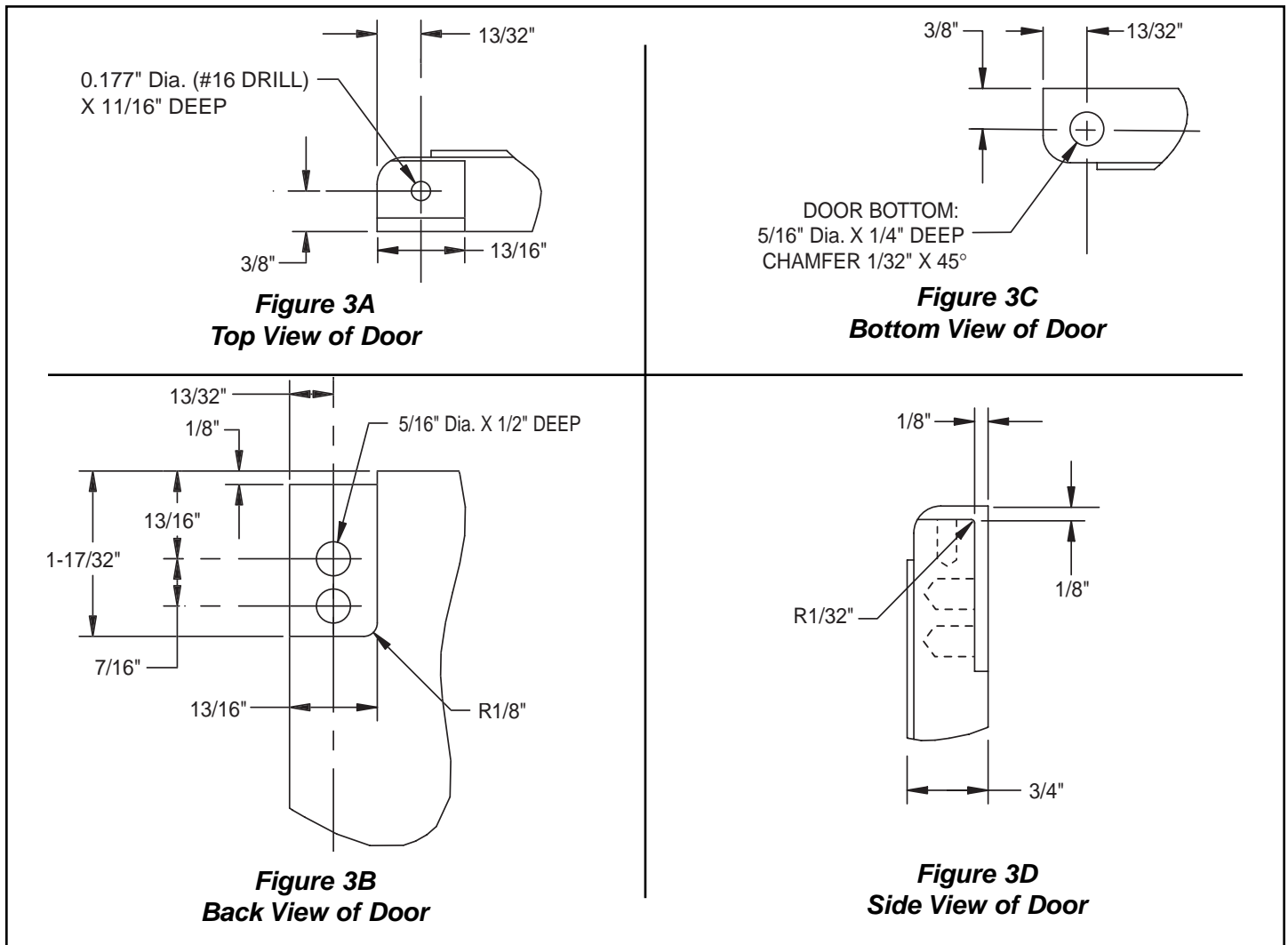


Figure 2
Relief Notch for Pivot Plate



2A. Route notch in top corner of panel as shown (**Figures 3A and 3D**). Notch is entire depth of panel, front to back.

Width: 13/16"
Depth: 1/8"

2B. Route notch in back side of top corner of panel (**Figures 3B and 3D**).

Width: 13/16"
Depth: 1/8"
Height: 1-17/32" from top edge of panel (less 1/8" for depth of notch on top of panel)
Radius of corner notch: 1/8" (**Figure 3B**)

3. Drill holes for pivot plate mounts (**Figure 3B**).
5/16" diameter x 1/2" deep, from the routed surface

4. Drill hole for upper door hinge (top of panel) (**Figure 3A**).

0.177" diameter
(#16 drill) x 11/16" deep

5. Drill hole for lower door hinge (**Figure 3C**).

5/16" diameter x 1/4" deep

NOTE

It is important to ensure that all drilled holes are drilled to the correct depth in order to avoid splits in the wood when hardware is installed.