

ADA15IM • 15" Crescent Ice Maker • ADA Series

FEATURES & BENEFITS



STAINLESS SOLID



BLACK SOLID

PERFORMANCE	<ul style="list-style-type: none"> • Uses less than 3 gallons of water to produce up to 25 lbs of ice per day • Up to 25 lbs in ice storage capacity • Daily ice production rate is approx. 4 times greater than the average household refrigerator • Crescent ice cube dimensions: 1/2" W x 3/4" H x 2 1/4" L • On/Off switch is conveniently located on lower face of unit
INTERIOR/EXTERIOR	<ul style="list-style-type: none"> • No drain required • Standard commercial stainless steel handle is interchangeable with professional handle accessory • Door swing is field reversible
INTEGRATION	<ul style="list-style-type: none"> • Unit is designed to be built-in or can be freestanding • Four independently adjustable leveling legs provide a precise undercounter fit • Available in the following finishes: Stainless or Black

MODEL DETAILS

Model	Voltage/Hz	Door Swing	Finish	Shipping Weight
U-ADA15IMS-00A	115 / 60	Field Reversible	Stainless Solid	90 lb
U-ADA15IMB-00A	115 / 60	Field Reversible	Black Solid	90 lb

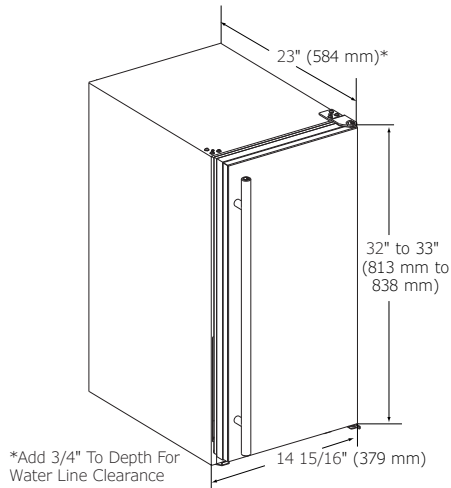
ACCESSORIES

Model	Description	Finish	Shipping Weight
23074	Professional Door Handle, 1 1/4" Diameter	Stainless	2 lb
23073	Commercial Door Handle, 7/8" Diameter	Stainless	2 lb
WATERHOOKUP	Braided water supply line kit	N/A	2 lb

ADA Series • 15" Crescent Ice Maker • **ADA15IM**

DIMENSIONS

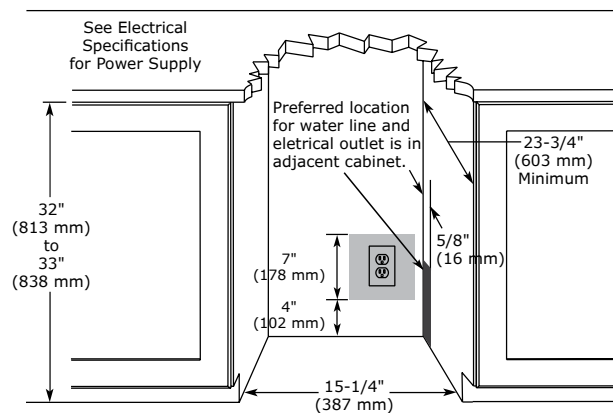
Dimensions shown apply to all finishes.



SPECIFICATIONS

Model	ADA15IM
Amps: Running	2.5
Control Type	On/Off Switch
Defrost Type	Manual
Dimensions: Product Depth	23" / 584 mm
Dimensions: Product Height	32" / 813 mm
Dimensions: Product Width	14 15/16" / 379 mm
ENERGY STAR	N/A
Ice Production Per Day	25 lb
Ice Storage	25 lb
Product Weight: Max	84 lb
Refrigerant Type	R134a
Sabbath (Star K Certified)	No

CABINET CUT-OUT



INSTALLATION NOTES

- When installing adjacent to wall, ensure 2 1/2" clearance on hinged side for 90° door opening, allowing ample room for door handle.
- No additional clearance around sides, top or rear of unit is needed for ventilation.
- Do not obstruct front grille air flow.

ELECTRICAL REQUIREMENTS

This unit requires a grounded a polarized 115 VAC, 60 Hz, 15 A power supply (normal household current).



Please visit U-Line.com to view this model's User Guide. All specifications are subject to change without notice.