

CLR1215 • 15" Clear Ice Machine • 1000 Series

FEATURES & BENEFITS



STAINLESS SOLID



INTEGRATED SOLID



BLACK SOLID



WHITE SOLID

PERFORMANCE	<ul style="list-style-type: none"> • Daily ice production of up to 60 lbs of ice • Up to 30 lbs in ice storage capacity • Clear ice cube dimensions: 7/8" W x 7/8" H x 7/8" L • Clear ice cube fullness can be adjusted • Silent setting temporarily suspends ice making for 3 hours • Digital Touch Pad Control is conveniently located on face of unit • Indicator alert notifies user when cleaning is needed • Easy clean process only lasts 45 minutes
INTERIOR/EXTERIOR	<ul style="list-style-type: none"> • White interior is illuminated with LED lighting • Clear heavy duty ice scoop included • Drain required • Model can be ordered with factory installed P60 drain pump if gravity drain is not accessible • Factory installed water and drain line simplifies installation • Standard commercial stainless steel handle is interchangeable with professional handle accessory • Door swing is field reversible
INTEGRATION	<ul style="list-style-type: none"> • Unit is designed to be built-in or can be freestanding • Integrated model requires 3/4" custom door panel (panels not supplied by U-Line) • Four independently adjustable leveling legs provide a precise undercounter fit • Available in the following finishes: Stainless, Integrated, Black, or White

MODEL DETAILS

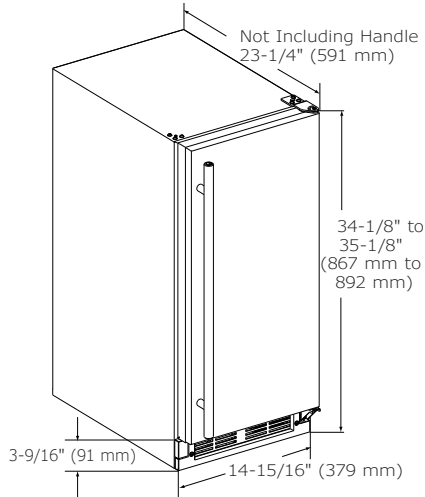
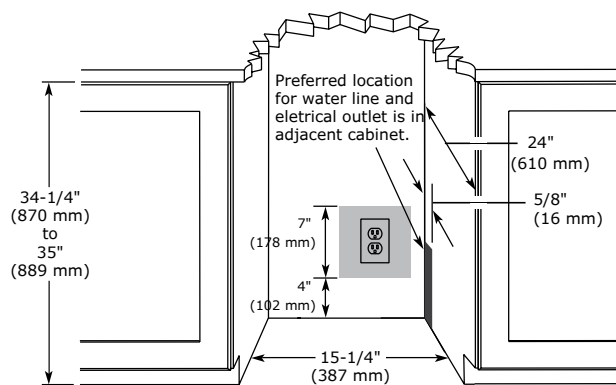
Model	Voltage/Hz	Door Swing	Pump	Finish	Shipping Weight
U-CLR1215S-00A	115 / 60	Field Reversible	-	Stainless Solid	95 lbs
U-CLR1215S-40A	115 / 60	Field Reversible	Pump Included	Stainless Solid	101 lbs
U-CLR1215INT-00A	115 / 60	Field Reversible	-	Integrated Solid	92 lbs
U-CLR1215INT-40A	115 / 60	Field Reversible	Pump Included	Integrated Solid	98 lbs
U-CLR1215B-00A	115 / 60	Field Reversible	-	Black Solid	95 lbs
U-CLR1215B-40A	115 / 60	Field Reversible	Pump Included	Black Solid	101 lbs
U-CLR1215W-00A	115 / 60	Field Reversible	-	White Solid	92 lbs
U-CLR1215W-40A	115 / 60	Field Reversible	Pump Included	White Solid	101 lbs

ACCESSORIES

Model	Description	Finish	Shipping Weight
23074	Professional Door Handle, 1 1/4" Diameter	Stainless	2 lbs
23073	Commercial Door Handle, 7/8" Diameter	Stainless	2 lbs
37050	Clear Ice Machine Cleaner (1 box of 6 packets)	na	1 lb
P60	Drain Pump	na	7 lbs

1000 Series • 15" Clear Ice Machine • CLR1215
DIMENSIONS

Dimensions shown apply to all finishes, including Integrated (INT) models with 3/4" integrated panel/frame installed.


CABINET CUT-OUT

SPECIFICATIONS

Model	CLR1215
Amps: Running	4
Amps: Ice Harvest	5.5
Control Type	Digital Touch Pad
Defrost Type	na
Dimensions: Product Depth	23 1/4" / 610 mm
Dimensions: Product Height	34 1/8" / 867 mm
Dimensions: Product Width	14 15/16" / 379 mm
ENERGY STAR	na
Ice Production Per Day	60 lbs
Ice Storage	30 lbs
Panel Height	30 1/4" / 768 mm
Panel Thickness	3/4" / 20 mm
Panel Type	Solid Panel
Panel Width	14 3/4" / 375 mm
Product Weight: Max	91 lbs
Refrigerant Type	R134a
Sabbath (Star K Certified)	Yes

INSTALLATION NOTES

When installing adjacent to wall, ensure 2 1/2" clearance on hinged side for 90° door opening, allowing ample room for door handle.

No additional clearance around sides, top or rear of unit is needed for ventilation.

Do not obstruct front grille air flow.

ELECTRICAL REQUIREMENTS

This unit requires a grounded a polarized 115 VAC, 60 Hz, 15 A power supply (normal household current).



Please visit u-line.com to view this model's User Guide. All specifications are subject to change without notice.