

**CLR1215SOD • 15" Outdoor Clear Ice Machine • Outdoor Series**

**FEATURES & BENEFITS**



STAINLESS SOLID

<b>PERFORMANCE</b>	<ul style="list-style-type: none"> <li>• Daily ice production of up to 60 lbs of ice</li> <li>• Up to 30 lbs in ice storage capacity</li> <li>• Clear ice cube dimensions: 7/8" W x 7/8" H x 7/8" L</li> <li>• Clear ice cube fullness can be adjusted</li> <li>• Silent setting temporarily suspends ice making for 3 hours</li> <li>• Digital Touch Pad Control is conveniently located on face of unit</li> <li>• Indicator alert notifies user when cleaning is needed</li> <li>• Easy clean process only lasts 45 minutes</li> </ul>
<b>INTERIOR/EXTERIOR</b>	<ul style="list-style-type: none"> <li>• White interior is illuminated with LED lighting</li> <li>• Clear heavy duty ice scoop included</li> <li>• Drain required</li> <li>• Factory installed drain line simplifies installation</li> <li>• Model can be ordered with factory installed P60 drain pump if gravity drain is not accessible</li> <li>• Standard professional stainless steel handle is interchangeable with commercial handle accessory</li> <li>• Full stainless steel cabinet and door are deemed suitable for outdoor use by UL</li> <li>• Door swing is field reversible</li> </ul>
<b>INTEGRATION</b>	<ul style="list-style-type: none"> <li>• Unit is designed to be built-in or can be freestanding</li> <li>• Four independently adjustable leveling legs provide a precise undercounter fit</li> </ul>

**MODEL DETAILS**

Model	Voltage/Hz	Door Swing	Pump	Finish	Shipping Weight
U-CLR1215SOD-00A	115 / 60	Field Reversible	-	Stainless Solid	92 lbs
U-CLR1215SOD-40A	115 / 60	Field Reversible	Pump Included	Stainless Solid	101 lbs

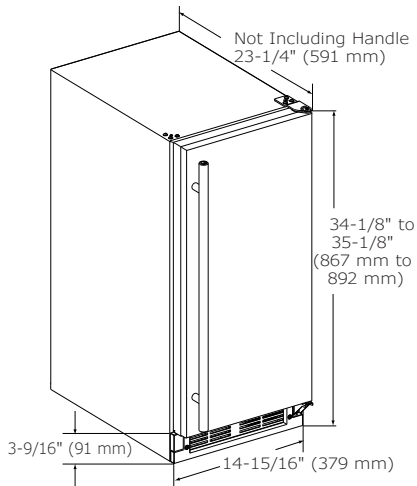
**ACCESSORIES**

Model	Description	Finish	Shipping Weight
23074	Professional Door Handle, 1 1/4" Diameter	Stainless	2 lbs
23073	Commercial Door Handle, 7/8" Diameter	Stainless	2 lbs
37050	Clear Ice Machine Cleaner (1 box of 6 packets)	na	1 lbs
P60	Drain Pump	na	7 lbs

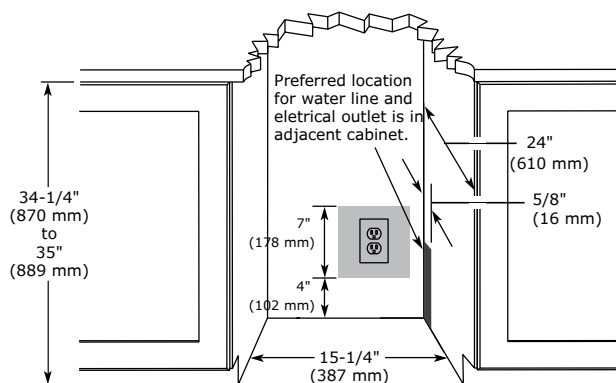
Outdoor Series • 15" Outdoor Clear Ice Machine • **CLR1215SOD**

**DIMENSIONS**

Dimensions shown apply to all finishes, including Integrated (INT) models with 3/4" integrated panel/frame installed.



**CABINET CUT-OUT**



**SPECIFICATIONS**

Model	CLR1215SOD
Amps: Running	4
Amps: Ice Harvest	5.5
Control Type	Digital Touch Pad
Defrost Type	na
Dimensions: Depth	23 1/4" / 610 mm
Dimensions: Height	34 1/8" / 867 mm
Dimensions: Width	14 15/16" / 379 mm
ENERGY STAR	na
Ice Production Per Day	60 lbs
Ice Storage	30 lbs
Product Weight: Max	91 lbs
Refrigerant Type	R134a
Sabbath (Star K Certified)	Yes

**INSTALLATION NOTES**

- When installing adjacent to wall, ensure 2-1/2" clearance on hinged side for 90° door opening, allowing ample room for door handle.
- No additional clearance around sides, top or rear of unit is needed for ventilation.
- Do not obstruct front grille air flow.

**ELECTRICAL REQUIREMENTS**

This unit requires a grounded a polarized 115 VAC, 60 Hz, 15 A power supply (normal household current).



Please visit [u-line.com](http://u-line.com) to view this model's User Guide. All specifications are subject to change without notice.

Deemed suitable for outdoor use by UL.