

CO29 • 21" Marine Combo® Model • Marine Series

FEATURES & BENEFITS



BLACK SOLID



WHITE SOLID

PERFORMANCE	<ul style="list-style-type: none"> Refrigerator volume of 2.1 cu ft (59,5 litres) holds up to 24 bottles (12 oz / 330 ml) or 44 cans (12 oz / 330 ml) Mechanical Dial Control is conveniently located on the grille Temperature range: 34°F - 45°F (1°C - 7°C) Daily ice produces up to 18 lb (8,2 kg) of ice Up to 13 lb (5,9 kg) in ice storage capacity Crescent ice cube dimensions: 1/2" W x 3/4" H x 2 1/4" L (12,7 mm W x 19 mm H x 57 mm L) Available in 115 or 220-240 volts
INTERIOR/EXTERIOR	<ul style="list-style-type: none"> No drain required Two removable tempered glass shelves Two fixed storage compartments in door Door swing is field reversible, and is shipped right-hand hinged Standard travel package includes door latch, ensuring safe-at-sea storage Corrosion and UV resistant components provide product longevity in harsh environments
INTEGRATION	<ul style="list-style-type: none"> Unit is designed to be built-in or can be freestanding Available in the following finishes: Black or White Black finish accepts a 1/4" (6,4 mm) custom insert panel

MODEL DETAILS

Model	Voltage/Hz	Door Swing	Finish	Shipping Weight
ULN-CO29B-03A	115 / 60	Field Reversible	Black Solid	94 lb (43 kg)
ULN-CO29B-20A	220-240 / 50	Field Reversible	Black Solid	94 lb (43 kg)
ULN-CO29W-03A	115 / 60	Field Reversible	White Solid	94 lb (43 kg)
ULN-CO29W-20A	220-240 / 50	Field Reversible	White Solid	94 lb (43 kg)

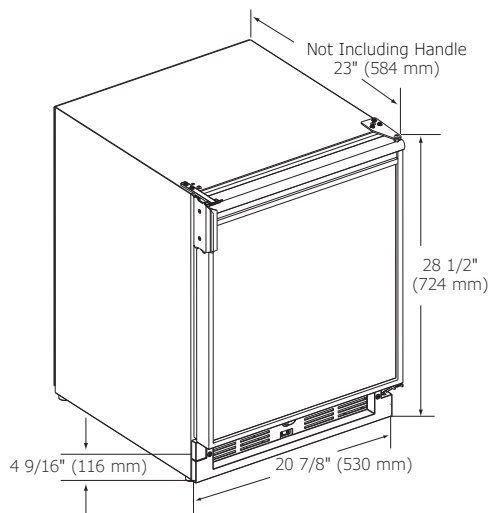
ACCESSORIES

Model	Description	Finish	Shipping Weight
80-54674-00	Braided water supply line kit	N/A	2 lb (0,9 kg)
U-POWERCORD-2056	Power Cord 220 - 240 V Great Britain/Ireland	N/A	N/A
U-POWERCORD-2256	Power Cord 220 - 240 V Australia/New Zealand	N/A	N/A
U-POWERCORD-2667	Power Cord 220 - 240 V Continental Europe	N/A	N/A
U-POWERCORD-3071	Power Cord 220 - 240 V China	N/A	N/A
U-POWERCORD-3111	Power Cord 220 - 240 V India	N/A	N/A

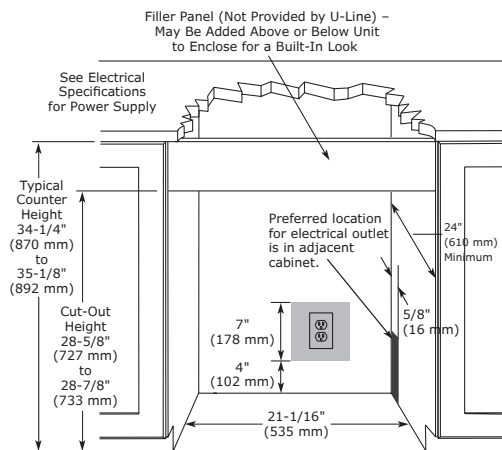
*Power cord type must be specified with each U-Line order; no additional cost for power cord.

Marine Series • 21" Marine Combo® Model • **CO29**

DIMENSIONS



CABINET CUT-OUT



SPECIFICATIONS

Model	CO29
Amps: Running (115v)	2.5 amps
Amps: Running (220-240v)	1.2 amps
Amps: Max Start Up (115v)	18 amps
Amps: Max Start Up (220-240v)	6 amps
Capacity: Bottle	24 (12oz/330ml)
Capacity: Can	44 (12oz/330ml)
Capacity: Volume	2.1 cu ft (59 litres)
Control Type	Mechanical Dial
Defrost Type	Manual
Dimensions: Product Depth	23" (584 mm)
Dimensions: Product Height	28 1/2" (724 mm)
Dimensions: Product Width	20 7/8" (530 mm)
ENERGY STAR	N/A
Panel Type (Black Finish Only)	Insert
Panel Thickness (Black Finish Only)	1/4" (6,4 mm)
Panel Height (Black Finish Only)	21 13/32" (544 mm)
Panel Width (Black Finish Only)	19 13/16" (503 mm)
Ice Production Per Day	18 lb
Ice Storage	13 lb
Product Weight: Max	85 lb (39 kg)
Refrigerant Type	R134A
Sabbath (Star K Certified)	No
Temperature Range	34°F - 45°F (1°C - 7°C)

INSTALLATION NOTES

Cutout includes the additional 1/4" (6,4 mm) width overall to ensure proper installation.

No additional clearance around sides, top or rear of unit is needed for ventilation.

Do not obstruct front grille air flow.



Residential

UL listing only applies to 115 v models.

CE only applies to 220-240v models.

Please visit u-line.com to view this model's User Guide & Service Manual. All Specifications are subject to change without notice.



Warranty