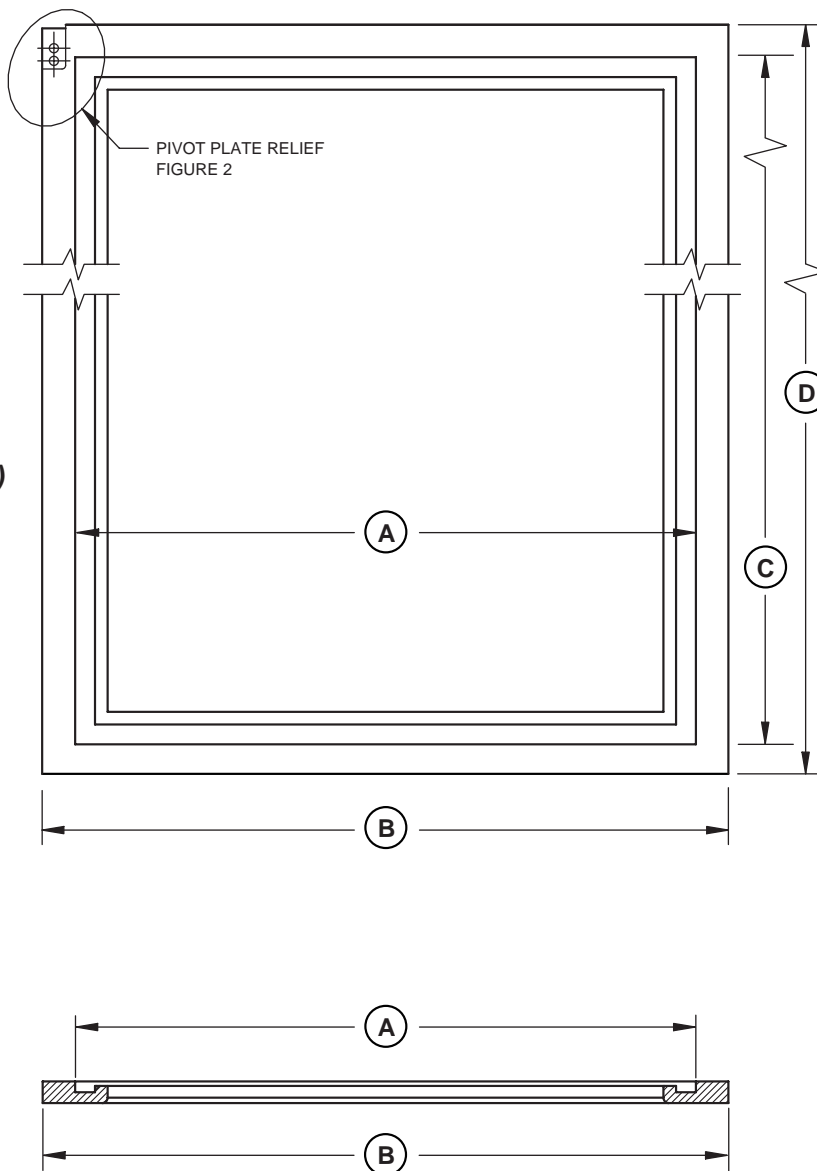


IMPORTANT

The thickness of the wood overlay panel must be 3/4".

1. Use the following instructions to create or have a wood overlay frame created for your Échelon Wine Captain model as shown in Figure 1.

NOTE
Rear View of Wood Frame
with right hand hinge shown
(Mirror Image For Left Hand Hinges.)



Model	A	B	C	D
2075	21-1/2"	23-3/4"	27-3/4"	30"
2015	12-1/2"	14-3/4"	27-3/4"	30"

Figure 1 – Wood Panel Dimensions

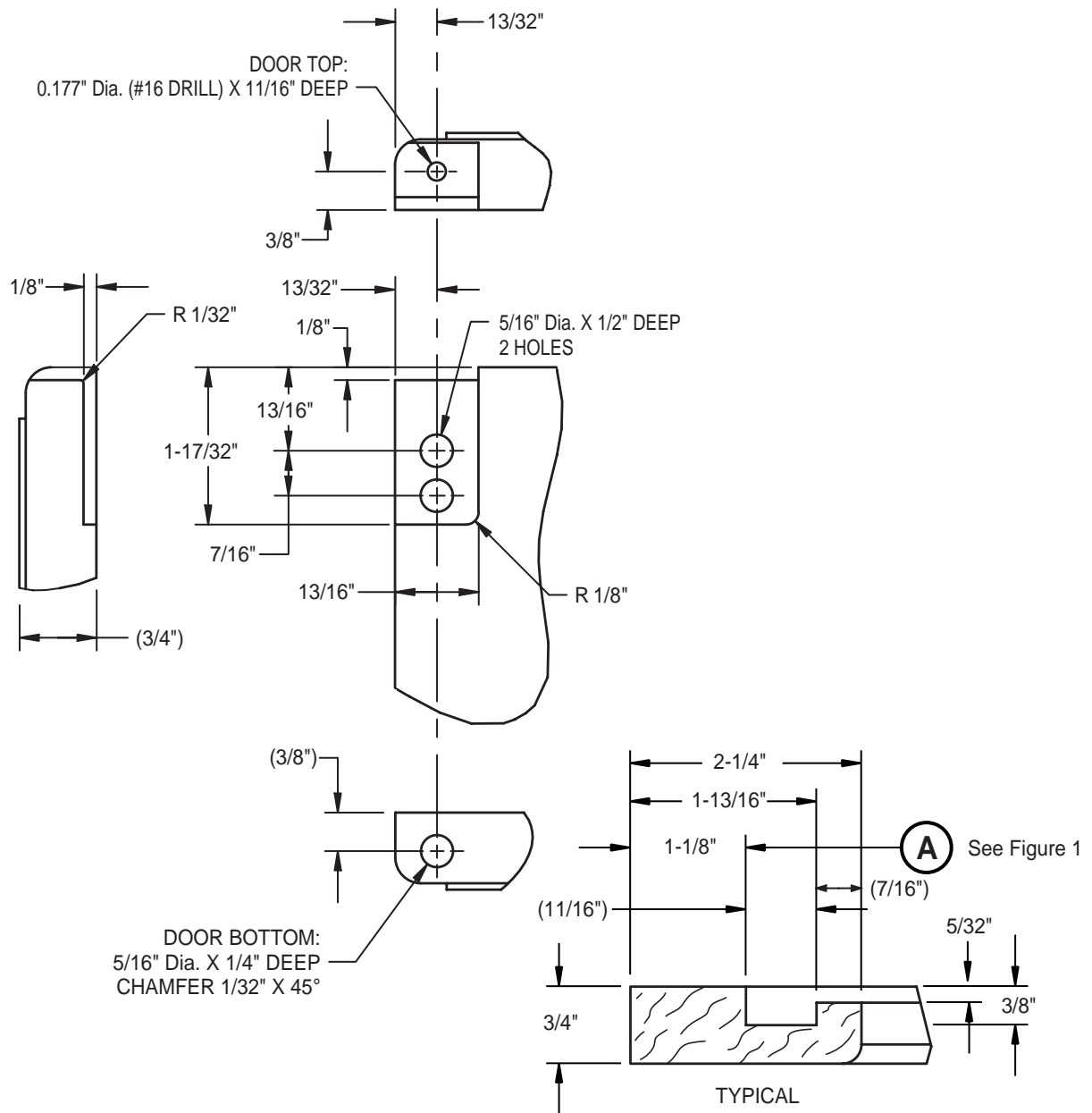


Figure 2 – Pivot Plate Relief, Hinge Holes and Routing

IMPORTANT

The wood overlay panel must not weigh more than 20 lbs.

2. Create pivot plate relief as shown in Figure 2.
3. Drill holes for pivot plate mounts, upper door hinge and lower door hinge as shown.
4. The overlay door panel must be installed in accordance with the Installation Instructions, part number 30009.

U-Line Corporation
P.O. Box 245040 • Milwaukee, WI 53224-9540
Phone 414.354.0300 • FAX 414.354.7905
www.U-LineService.com