

SS1095 • 14" Marine Crescent Ice Maker • Marine Series

FEATURES & BENEFITS



PERFORMANCE

- Uses less than 3 gallons (11,4 litres) of water to produce up to 23 lb of ice per day
- Up to 12 lb (5,4 kg) in ice storage capacity
- Crescent ice cube dimensions: 1/2" W x 3/4" H x 2 1/4" L (12,7 mm W x 19 mm H x 57 mm L)
- On/Off switch is conveniently located on the grille
- Available in 115 or 220-240 volts

INTERIOR/EXTERIOR

- No drain required
- Door swing is field reversible, and is shipped right-hand hinged
- Standard travel package includes door latch, ensuring safe-at-sea storage
- Corrosion and UV resistant components provide product longevity in harsh environments

INTEGRATION

- Unit is designed to be built-in or can be freestanding
- Multiple flange options



STAINLESS SOLID (FLUSH TO CABINET)

STAINLESS SOLID (FLUSH TO DOOR)

STAINLESS SOLID (NO FLANGE)

MODEL DETAILS

Model	Voltage/Hz	Door Swing	Finish	Shipping Weight
ULN-SS1095FC-03A	115 / 60	Field Reversible (Flush to Cabinet)	Stainless Solid	66 lb (30 kg)
ULN-SS1095FC-20A	220-240 / 50	Field Reversible (Flush to Cabinet)	Stainless Solid	66 lb (30 kg)
ULN-SS1095FD-03A	115 / 60	Field Reversible (Flush to Door)	Stainless Solid	66 lb (30 kg)
ULN-SS1095FD-20A	220-240 / 50	Field Reversible (Flush to Door)	Stainless Solid	66 lb (30 kg)
ULN-SS1095NF-03A	115 / 60	Field Reversible (No Flange)	Stainless Solid	66 lb (30 kg)
ULN-SS1095NF-20A	220-240 / 50	Field Reversible (No Flange)	Stainless Solid	66 lb (30 kg)

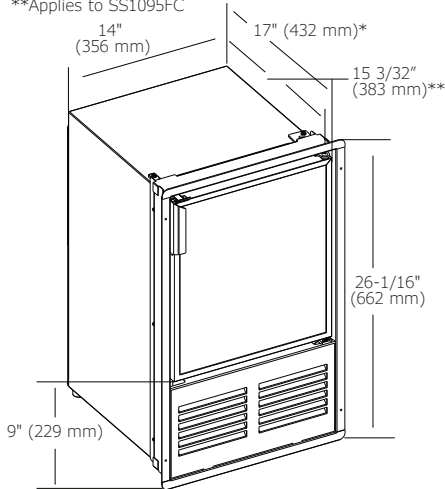
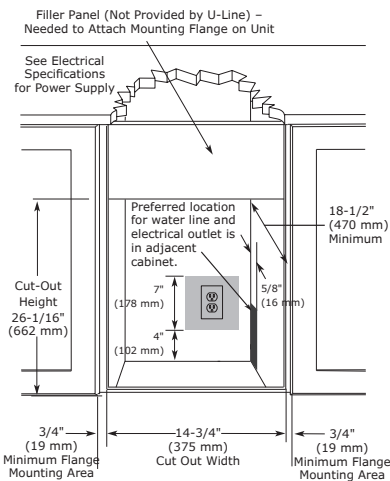
ACCESSORIES

Model	Description	Finish	Shipping Weight
80-54674-00	Braided water supply line kit	N/A	2 lb (0,9 kg)
U-POWERCORD-2056	Power Cord 220 - 240 V Great Britain/Ireland	N/A	N/A
U-POWERCORD-2256	Power Cord 220 - 240 V Australia/New Zealand	N/A	N/A
U-POWERCORD-2667	Power Cord 220 - 240 V Continental Europe	N/A	N/A
U-POWERCORD-3071	Power Cord 220 - 240 V China	N/A	N/A
U-POWERCORD-3111	Power Cord 220 - 240 V India	N/A	N/A

*Power cord type must be specified with each U-Line order; no additional cost for power cord.

Marine Series • 14" Marine Crescent Ice Maker • SS1095
DIMENSIONS

*Add 1-1/2" For Water Line Clearance
 **Applies to SS1095FC


CABINET CUT-OUT

SPECIFICATIONS

Model	SS1095
Amps: Running (115v)	2.5 amps
Amps: Running (220-240v)	1.2 amps
Amps: Max Start Up (115v)	18 amps
Amps: Max Start Up (220-240v)	6 amps
Control Type	On/Off Switch
Defrost Type	Manual
Dimensions (NF): Product Depth	17" (432 mm)
Dimensions (NF): Product Height	25 1/16" (637 mm)
Dimensions (NF): Product Width	14" (356 mm)
Dimensions (FC): Product Depth	17" (432 mm)
Dimensions (FC): Product Height	25 1/8" (638 mm)*
Dimensions (FC): Product Width	15 1/8" (384 mm)*
Dimensions (FD): Product Depth	17" (432 mm)
Dimensions (FD): Product Height	26 1/16" (662 mm)*
Dimensions (FD): Product Width	15 15/16" (405 mm)*
ENERGY STAR	N/A
Ice Production Per Day	23 lb (10,4 kg)
Ice Storage	12 lb (5,4 kg)
Product Weight: Max	60 lb (25 kg)
Refrigerant Type	R134A
Sabbath (Star K Certified)	No

*Includes flange

INSTALLATION NOTES

No additional clearance around sides, top or rear of unit is needed for ventilation.

Do not obstruct front grille air flow.



UL listing only applies to 115 v models.
 CE only applies to 220-240v models.
 Please visit u-line.com to view this model's User Guide & Service Manual. All Specifications are subject to change without notice.



Warranty